

| DIMENSIONS / SHIPPING |     |        |       |              |
|-----------------------|-----|--------|-------|--------------|
| Model                 | L"  | L1"    | L2"   | Est Wt (lbs) |
| WSP3934.7402          | N/A | 39.000 | 0.000 | N/A          |
| WSP4834.7402          | N/A | 48.000 | 0.000 | N/A          |

| ELECTRICAL   |                      |     |     |     |     |                 |              |              |       |       |           |             |           |                  |                       |
|--------------|----------------------|-----|-----|-----|-----|-----------------|--------------|--------------|-------|-------|-----------|-------------|-----------|------------------|-----------------------|
| Model        | System Circuit Volts |     |     | Ph  | Frq | Rated Load Amps | Min Cir Amps | Max OCP Amps | Watts | Wires | NEMA Plug | Amps Lights | Amps Fans | Amps Anti-Sweats | Amps Misc/Refrig/Heat |
| WSP3934.7402 | N/A                  | N/A | N/A | N/A | N/A | N/A             | N/A          | N/A          | N/A   | N/A   | N/A       | N/A         | N/A       | N/A              | N/A                   |
| WSP4834.7402 | N/A                  | N/A | N/A | N/A | N/A | N/A             | N/A          | N/A          | N/A   | N/A   | N/A       | N/A         | N/A       | N/A              | N/A                   |

| REFRIGERATION |      |         |          |        |                      |                 |                 |                        |                  |                             |                     |             |                  |     |
|---------------|------|---------|----------|--------|----------------------|-----------------|-----------------|------------------------|------------------|-----------------------------|---------------------|-------------|------------------|-----|
| Model         | Zone | Section | System   | Envt   | REMOTE REFRIGERATION |                 |                 |                        |                  | GLYCOL / R744 REFRIGERATION |                     |             |                  |     |
|               |      |         |          |        | SST (°F)             | Conv. Rack BTUH | Para. Rack BTUH | Defrost Interval (Hrs) | Defrost Duration | Total GPM                   | Pressure Drop (psi) | Concent (%) | Liquid Temp (°F) |     |
| WSP3934.7402  | All  | Ambient | None-N/A | Type I | N/A                  | N/A             | N/A             | N/A                    | N/A              | N/A                         | N/A                 | N/A         | N/A              | N/A |
| WSP4834.7402  | All  | Ambient | None-N/A | Type I | N/A                  | N/A             | N/A             | N/A                    | N/A              | N/A                         | N/A                 | N/A         | N/A              | N/A |

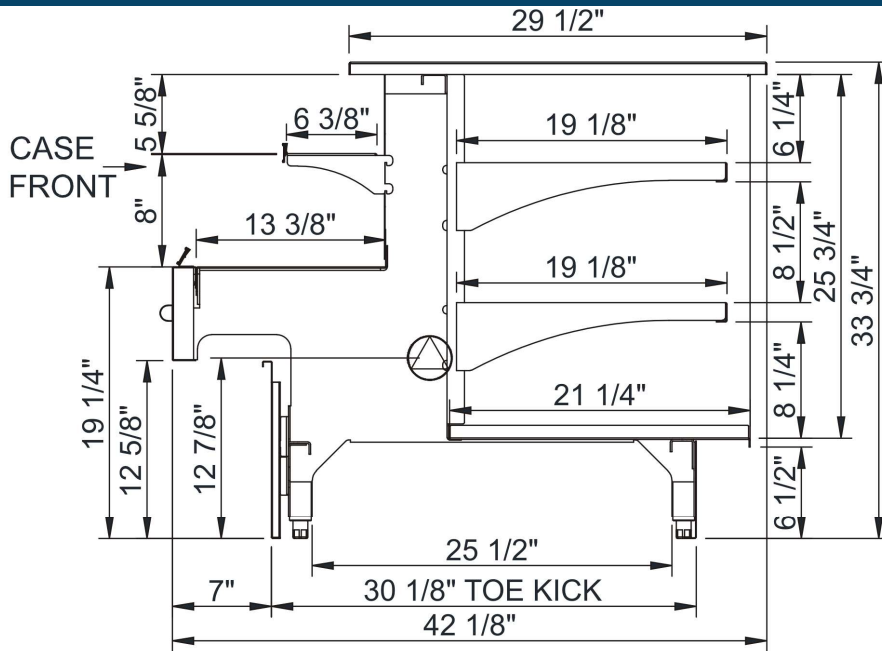
| INTENDED ENVIRONMENT   |  |
|--|--|
| Type I - Designed to operate in ambient conditions of 75°F with 55% relative humidity unless noted otherwise under Envt above. |  |

| IMPORTANT NOTES   |
|---|
| 1) Units are supplied with levelers which must be adjusted during installation to ensure the unit is level and plumb. |

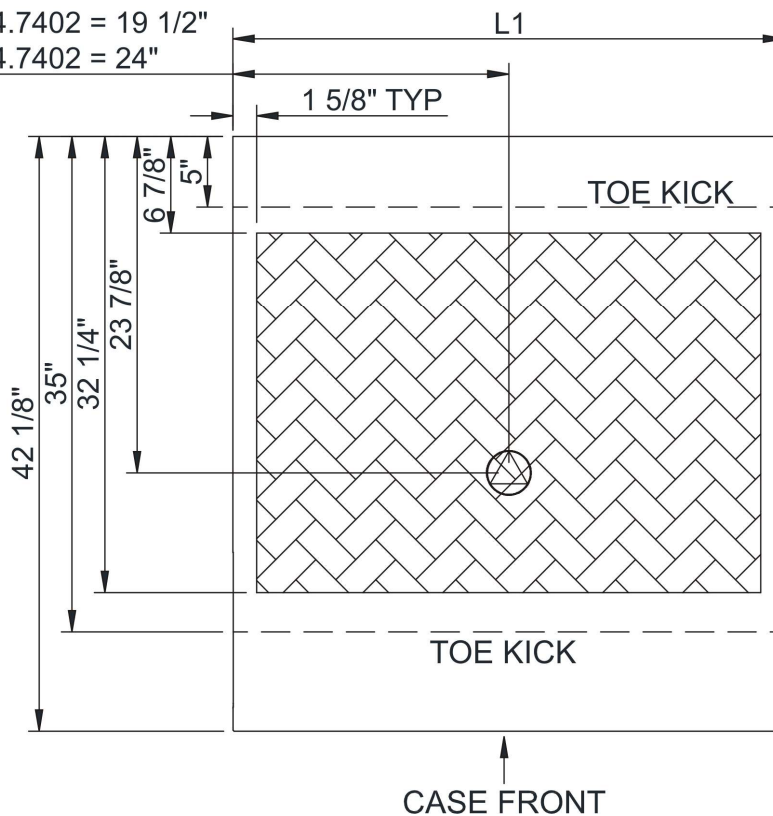
| WARMEST AVERAGE PRODUCT TEMP & INTENDED USE OF ZONES |           |                                    |
|--|-----------|------------------------------------|
| Zone   | Temp (°F) | Intended Use                       |
| 1  | Ambient   | Packaged non-refrigerated products |

| REGULATORY |  |
|------------|--|
| None       |  |





WSP3934.7402 = 19 1/2"  
WSP4834.7402 = 24"



NOTE: ALL DIMENSIONS APPROXIMATE

⊗ ELECTRICAL JUNCTION BOX  
(SUPPLIED WITH 6" LEADS OR POWER CORD).  
⊙ LOCATION OF DRAIN TUBE FOR REMOTE REF.  
ONLY (SUPPLIED WITH 3/4" OR 1 1/2" PVC TUBE).

⊕ REFRIGERATION LINE CONNECTION.  
⊞ REMOTE FLOOR SINK & UTILITIES  
ACCESS AREA.

▨ SELF-CONTAINED CASE SERVICE ACCESS AREA.  
▩ DRY CASE SERVICE ACCESS AREA.