

Front Facing - Dry Bakery Interaction Station

Models

WSP3634.8010



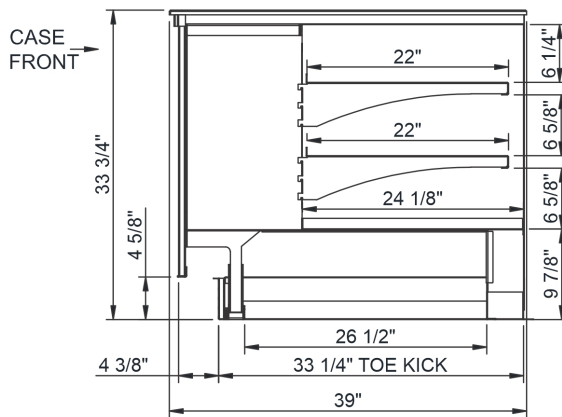
Features	Standard	Options
EXTERIOR COLOR	<input type="checkbox"/> Vinyl planking exterior	<input type="checkbox"/> Laminated (specify color) (confirm pattern/grain direction)
INTERIOR COLOR	<input type="checkbox"/> Stainless steel	
BASE SUPPORT	<input type="checkbox"/> Rail system for shims	
BUMPER END	<input type="checkbox"/> 2" bumper on ends	<input type="checkbox"/> 1" bumper on end (3 rows)
TOP	<input type="checkbox"/> Solid surface (specify color)	
UPPER FRONT PANEL	<input type="checkbox"/> Vinyl planking exterior	<input type="checkbox"/> Laminated (confirm pattern/grain direction)
WORK SURFACE	<input type="checkbox"/> Solid surface (specify color & mfr.)	

Applications

- Bakery service non-refrigerated counter / sample station

Front Facing Dry Bakery Interaction Station

Model	L x D x H (Lengths include end panels)
WSP3634.8010	36"L x 39"D x 33-3/4"H



IMPORTANT NOTES:

1) Units must be shimmed during installation to ensure the unit is level and plumb.



WARNING

This product can expose you to chemicals including Urethane (Ethyl Carbamate), which are known to the State of California to cause cancer and birth defects or other reproductive harm. For more information go to www.P65Warnings.ca.gov.

INTENDED ENVIRONMENT

Designed to operate in ambient conditions of 75°F with 55% relative humidity.

WARMEST AVG PRODUCT TEMP

Zone	Temp (°F)
1	Ambient

INTENDED USE OF DISPLAY AREAS

Zone	Intended Use
1	Packaged / unpackaged non-refrigerated products

For more information on any of our products or services please visit us on the web at:

www.structuralconcepts.com

INFORMATION IS SUBJECT TO CHANGE WITHOUT NOTICE. Visit www.structuralconcepts.com for the most current specs.