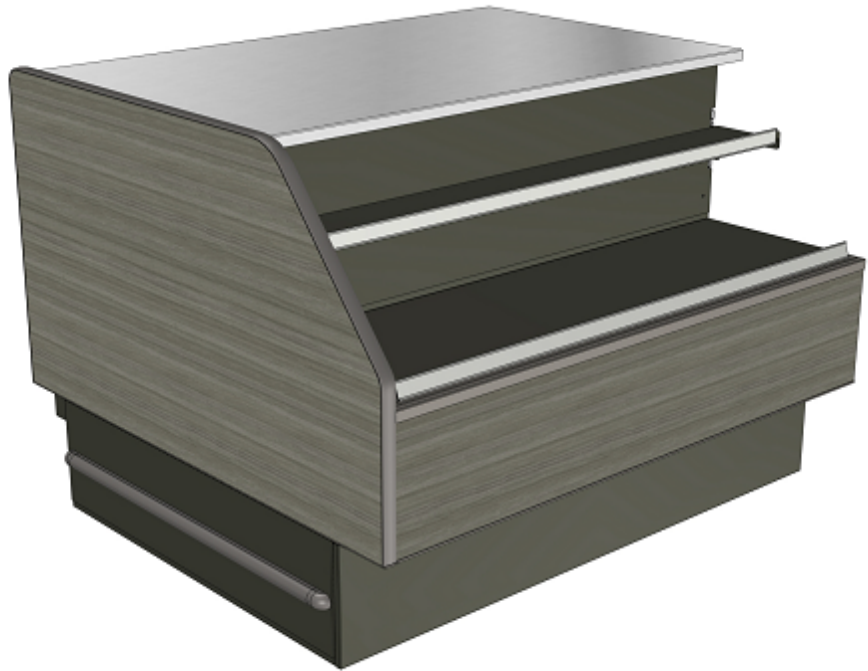


# Front Facing - Sample Station With Front Shelving - Laminated

## Models

WSP3634.7819

WSP4834.7819



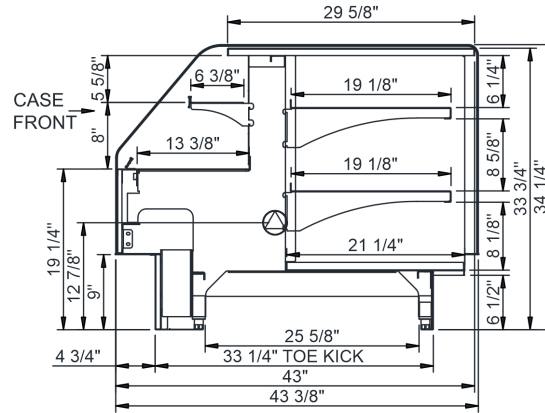
Features	Standard	Options
<b>EXTERIOR COLOR</b>	<input type="checkbox"/> Laminated (specify color) (confirm pattern/grain direction)	
<b>INTERIOR COLOR</b>	<input type="checkbox"/> Painted (Bronze Pearlescent)	<input type="checkbox"/> Painted (Caramel Sagawood), Textured
<b>TRIM COLOR</b>	<input type="checkbox"/> Silver	
<b>BASE SUPPORT</b>	<input type="checkbox"/> Levelers	
<b>BUMPER</b>	<input type="checkbox"/> 1" bumper on end (Gray)	<input type="checkbox"/> 1" bumper on end (#239 Storm Gray)
<b>REAR</b>	<input type="checkbox"/> (2) levels of shelves	
<b>TOP</b>	<input type="checkbox"/> Stainless steel top	
<b>SHELVING</b>	<input type="checkbox"/> Solid shelves, non-lighted (2 levels)	

## Applications

- Bakery service non-refrigerated counter / sample station.

# Front Facing Sample Station With Front Shelving - Laminated

Model	L x D x H (Lengths include end panels)
WSP3634.7819	38-1/4"L x 43-3/8"D x 34-1/4"H
WSP4834.7819	50-1/4"L x 43-3/8"D x 34-1/4"H



## IMPORTANT NOTES:

1) Units are supplied with levelers which must be adjusted during installation to ensure the unit is level and plumb.



## WARNING

This product can expose you to chemicals including Urethane (Ethyl Carbamate), which are known to the State of California to cause cancer and birth defects or other reproductive harm. For more information go to [www.P65Warnings.ca.gov](http://www.P65Warnings.ca.gov).

## INTENDED ENVIRONMENT

Designed to operate in ambient conditions of 75°F with 55% relative humidity.

## WARMEST AVG PRODUCT TEMP

Zone	Temp (°F)
1	Ambient

## INTENDED USE OF DISPLAY AREAS

Zone	Intended Use
1	Packaged non-refrigerated products

## Front Facing - Sample Station With Front Shelving - Laminated

DIMENSIONS / SHIPPING				
Model	L"	L1"	L2"	Est Wt (lbs)
WSP3634.7819	N/A	38.250	0.000	N/A
WSP4834.7819	N/A	50.250	0.000	N/A

ELECTRICAL															
Model	System Circuit Volts			Ph	Frq	Rated Load Amps	Min Cir Amps	Max OCP Amps	Watts	Wires	NEMA Plug	Amps Lights	Amps Fans	Amps Anti-Sweats	Amps Misc/Refrig/Heat
WSP3634.7819	N/A	N/A	N/A	N/A	N/A	N/A	N/A	N/A	N/A	N/A	N/A	N/A	N/A	N/A	N/A
WSP4834.7819	N/A	N/A	N/A	N/A	N/A	N/A	N/A	N/A	N/A	N/A	N/A	N/A	N/A	N/A	N/A

REFRIGERATION															
Model	Zone	Section	System	Envt	REMOTE REFRIGERATION					GLYCOL / R744 REFRIGERATION					
					SST (°F)	Conv. Rack BTUH	Para. Rack BTUH	Defrost Interval (Hrs)	Defrost Duration	Total GPM	Pressure Drop (psi)	Concent (%)	Liquid Temp (°F)		
WSP3634.7819	All	Ambient	None-N/A	Type I	N/A	N/A	N/A	N/A	N/A	N/A	N/A	N/A	N/A	N/A	N/A
WSP4834.7819	All	Ambient	None-N/A	Type I	N/A	N/A	N/A	N/A	N/A	N/A	N/A	N/A	N/A	N/A	N/A

INTENDED ENVIRONMENT		
Type I - Designed to operate in ambient conditions of 75°F with 55% relative humidity unless noted otherwise under Envt above.		
WARMEST AVERAGE PRODUCT TEMP & INTENDED USE OF ZONES		
Zone	Temp (°F)	Intended Use
1	Ambient	Packaged non-refrigerated products

IMPORTANT NOTES
1) Units are supplied with levelers which must be adjusted during installation to ensure the unit is level and plumb.

REGULATORY	
None	



