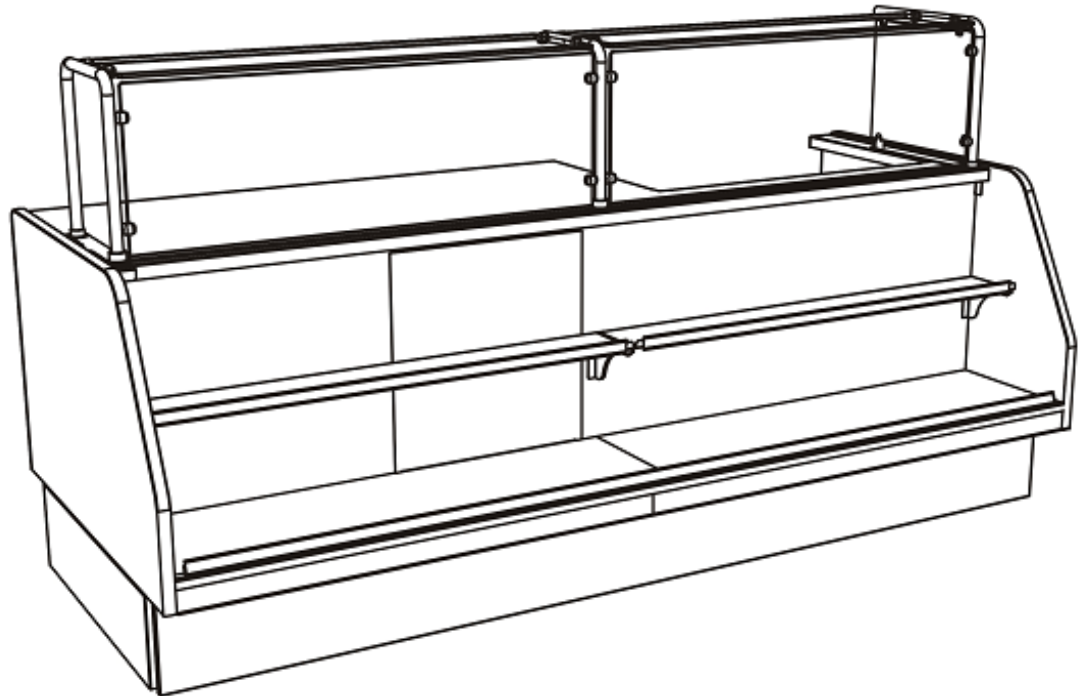


Front Facing - Dry Bakery Display - 8.5' Wide - Stainless Top - Slicer RH - Breadwall - Portico Teak/BZP

Models

WSP100BSRH.7819



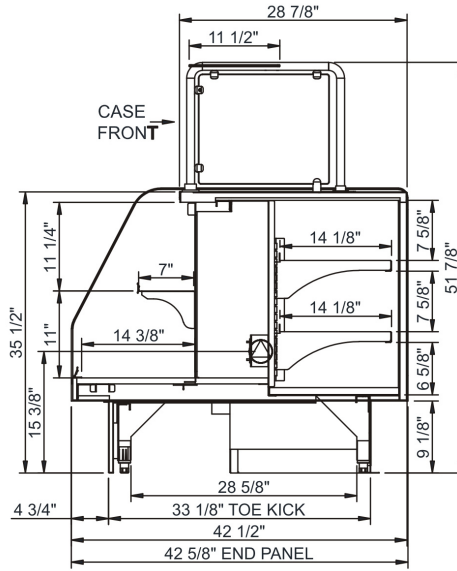
Features	Standard	Options
EXTERIOR COLOR	<input type="checkbox"/> Laminated (Portico Teak)	
INTERIOR COLOR	<input type="checkbox"/> Painted (Bronze Pearlescent)	
LOWER FRONT PANEL COLOR	<input type="checkbox"/> Painted (Bronze Pearlescent)	
BASE SUPPORT	<input type="checkbox"/> Levelers	
BUMPER END	<input type="checkbox"/> 1" bumper on end (#239 Storm Gray)	
BUMPER FRONT	<input type="checkbox"/> Rail bumper on upper front panel	
TOP	<input type="checkbox"/> Stainless steel	
UPPER FRONT PANEL	<input type="checkbox"/> Laminated (Portico Teak)	
SHELVING	<input type="checkbox"/> Solid shelves, non-lighted (1 level)	
SNEEZE GUARD	<input type="checkbox"/> Clear sneeze guard glass w/ stainless steel posts	
ELECTRICAL CONNECT	<input type="checkbox"/> Empty electrical box (wiring supplied by others) (requires separate circuit)	

Applications

- Non-refrigerated end w/ shelving for Inline modules.

Front Facing Dry Bakery Display - 8.5' Wide - Stainless Top - Slicer RH - Breadwall - Portico Teak/BZP

Model	L x D x H (Lengths include end panels)
WSP100BSRH.7819	101-1/4"L x 42-5/8"D x 51-7/8"H



IMPORTANT NOTES:

1) Units must be shimmed during installation to ensure the unit is level and plumb.

⚠️ WARNING

This product can expose you to chemicals including Urethane (Ethyl Carbamate), which are known to the State of California to cause cancer and birth defects or other reproductive harm. For more information go to www.P65Warnings.ca.gov.

INTENDED ENVIRONMENT

Designed to operate in ambient conditions of 75°F with 55% relative humidity.

WARMEST AVG PRODUCT TEMP

Zone	Temp (°F)
1	Ambient

INTENDED USE OF DISPLAY AREAS

Zone	Intended Use
1	Packaged / unpackaged non-refrigerated products

For more information on any of our products or services please visit us on the web at:

www.structuralconcepts.com

INFORMATION IS SUBJECT TO CHANGE WITHOUT NOTICE. Visit www.structuralconcepts.com for the most current specs.



888 E. Porter Rd. Muskegon, MI 49441 231-798-8888