

# Technical Information

Addenda - 78" Half Side Bread Module - Portico Teak - Bakery Of The Future

Structural Concepts®

DELIVERING FRESH. ALWAYS.™

DIMENSIONS / SHIPPING				
Model	L"	L1"	L2"	Est Wt (lbs)
SHS2654A.7981	N/A	26.000	0.000	N/A
SHS3054.7981	N/A	29.500	0.000	N/A
SHS7854.7981	N/A	78.000	0.000	N/A

ELECTRICAL															
Model	System Circuit Volts			Ph	Frq	Rated Load Amps	Min Cir Amps	Max OCP Amps	Watts	Wires	NEMA Plug	Amps Lights	Amps Fans	Amps Anti-Sweats	Amps Misc/Refrig/Heat
SHS2654A.7981	N/A	N/A	N/A	N/A	N/A	N/A	N/A	N/A	N/A	N/A	N/A	N/A	N/A	N/A	N/A
SHS3054.7981	N/A	N/A	N/A	N/A	N/A	N/A	N/A	N/A	N/A	N/A	N/A	N/A	N/A	N/A	N/A
SHS7854.7981	N/A	N/A	N/A	N/A	N/A	N/A	N/A	N/A	N/A	N/A	N/A	N/A	N/A	N/A	N/A

REFRIGERATION														
Model	Zone	Section	System	Envt	REMOTE REFRIGERATION					GLYCOL / R744 REFRIGERATION				
					SST (°F)	Conv. Rack BTUH	Para. Rack BTUH	Defrost Interval (Hrs)	Defrost Duration	Total GPM	Pressure Drop (psi)	Concent (%)	Liquid Temp (°F)	
SHS2654A.7981	All	Ambient	None-N/A	Type I	N/A	N/A	N/A	N/A	N/A	N/A	N/A	N/A	N/A	N/A
SHS3054.7981	All	Ambient	None-N/A	Type I	N/A	N/A	N/A	N/A	N/A	N/A	N/A	N/A	N/A	N/A
SHS7854.7981	All	Ambient	None-N/A	Type I	N/A	N/A	N/A	N/A	N/A	N/A	N/A	N/A	N/A	N/A

INTENDED ENVIRONMENT	
Type I - Designed to operate in ambient conditions of 75°F with 55% relative humidity unless noted otherwise under Envt above.	

WARMEST AVERAGE PRODUCT TEMP & INTENDED USE OF ZONES		
Zone	Temp (°F)	Intended Use
1	Ambient	Packaged non-refrigerated products

REGULATORY	
All Models	ETL Listed to UL 65 ETL Sanitation to NSF/ANSI 2

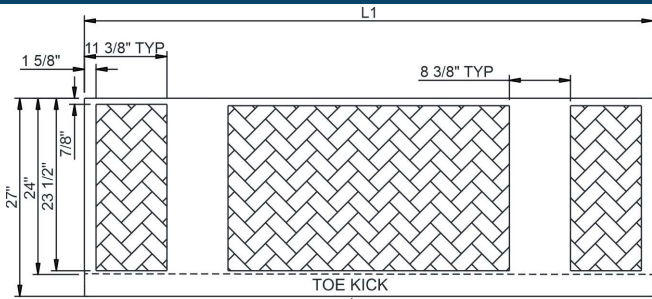
## IMPORTANT NOTES



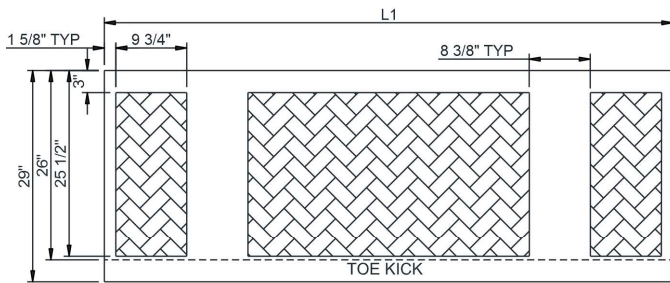
# Technical Information

Addenda - 78" Half Side Bread Module - Portico Teak - Bakery Of The Future

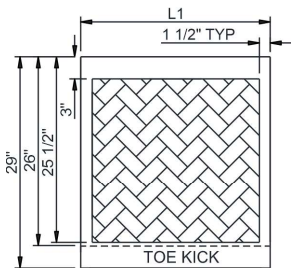
**Structural Concepts®**  
DELIVERING FRESH. ALWAYS.™



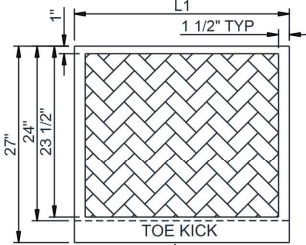
SHS7854.7981 CASE FRONT  
ISLAND CONFIGURATION



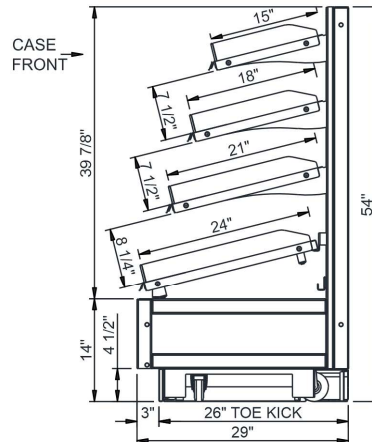
SHS7854.7981 CASE FRONT  
INLINE CONFIGURATION



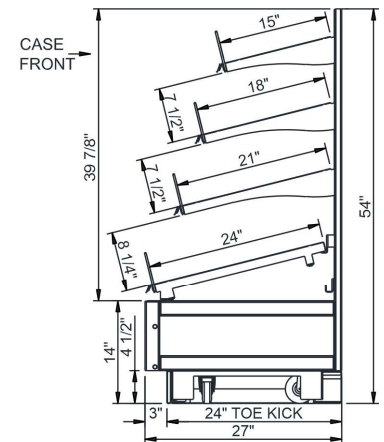
SHS2654A.7981 CASE FRONT  
INLINE CONFIGURATION ONLY



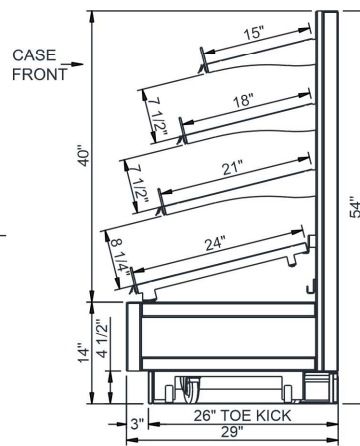
SHS3054.7981 CASE FRONT  
ISLAND CONFIGURATION ONLY



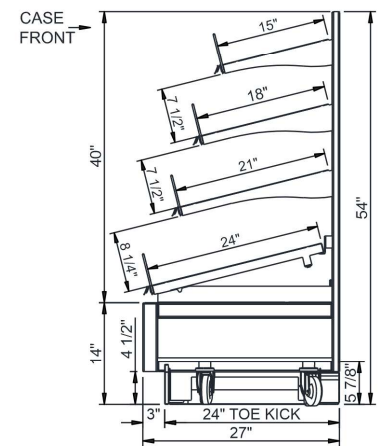
INLINE CONFIGURATION  
SHS7854.7981



ISLAND CONFIGURATION  
SHS7854.7981



INLINE CONFIGURATION  
ONLY - SHS2654A.7981



ISLAND CONFIGURATION  
ONLY - SHS3054.7981

**NOTE: ALL DIMENSIONS APPROXIMATE**

**ELECTRICAL JUNCTION BOX**  
(SUPPLIED WITH 6" LEADS OR POWER CORD).  
 **LOCATION OF DRAIN TUBE FOR REMOTE REF.**  
ONLY (SUPPLIED WITH 3/4" OR 1 1/2" PVC TUBE).

**REFRIGERATION LINE CONNECTION.**  
 **REMOTE FLOOR SINK & UTILITIES**  
ACCESS AREA.

**SELF-CONTAINED CASE SERVICE ACCESS AREA.**  
 **DRY CASE SERVICE ACCESS AREA.**