

Addenda

54" Baked Goods Station - Bakery Of The Future

Structural Concepts®
DELIVERING FRESH. ALWAYS.™

• SHC5454.7981

Lengths do not include end panels
54"L x 46"D x 54"H

Included

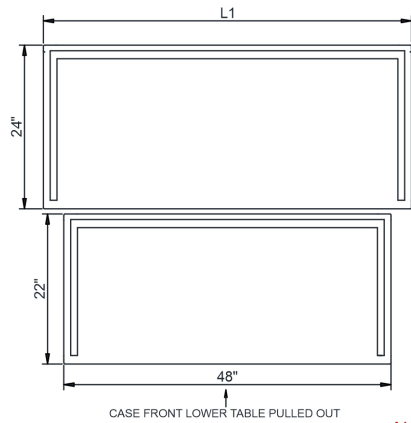
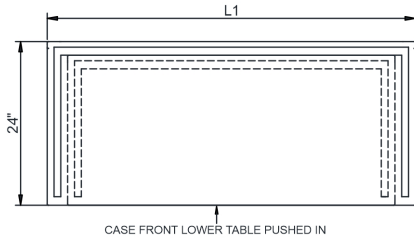
- One year parts & labor warranty



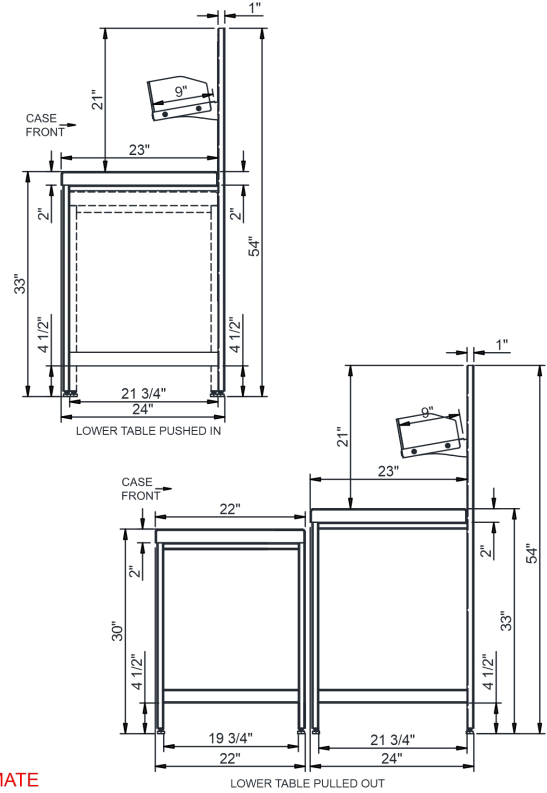
Specify	Standard Features	Additional Options
BASE FRAME	• Painted (Traffic Gray Textured)	
BASE SUPPORT	• Levelers	
TOP	• Solid surface (specify color)	
SHELVING	• Solid surface (specify color)	

Intended Environment: Type I - Designed to operate in ambient conditions of 75°F with 55% relative humidity unless noted otherwise in system information below.		
Zone	Intended Product To Be Displayed	Warmest Avg Prod Temp ° F
1	Packaged non-refrigerated products	Ambient

PLAN VIEW



SIDE VIEW



NOTE: ALL DIMENSIONS APPROXIMATE

- ELECTRICAL JUNCTION BOX**
(SUPPLIED WITH 6" LEADS OR POWER CORD).
- LOCATION OF DRAIN TUBE FOR REMOTE REF.**
ONLY (SUPPLIED WITH 3/4" OR 1 1/2" PVC TUBE).

- REFRIGERATION LINE CONNECTION.**
- REMOTE FLOOR SINK & UTILITIES**
ACCESS AREA.

- SELF-CONTAINED CASE SERVICE ACCESS AREA.**
- DRY CASE SERVICE ACCESS AREA.**

Model Technical Specifications																
Model	L"	L1"	L2"	System Circuit Volts			Phs	Freq	Amps ***	Watts	Wires	NEMA Plug	SST	Conv. Rack BTUH	Para. Rack BTUH	Est Wt
SHC5454.7981	54.00	N/A	0	None (N/A)			N/A	N/A	1&3	N/A	0.00		N/A	N/A	N/A	625

*** Does not include electric defrost on freezer models.

Regulatory Approvals:	
None	



Important Notes:

1) Units are supplied with levelers which must be adjusted during installation to ensure the unit is level and plumb.

⚠ WARNING: This product can expose you to chemicals, including Urethane (Ethyl Carbamate), which are known to the State of California to cause cancer and birth defects or other reproductive harm. For more information go to www.P65Warnings.ca.gov.