

Front Facing - PC Non-Refrigerated Pastry Case - Portico Teak - Bakery Of The Future

Models

PC4854.7981



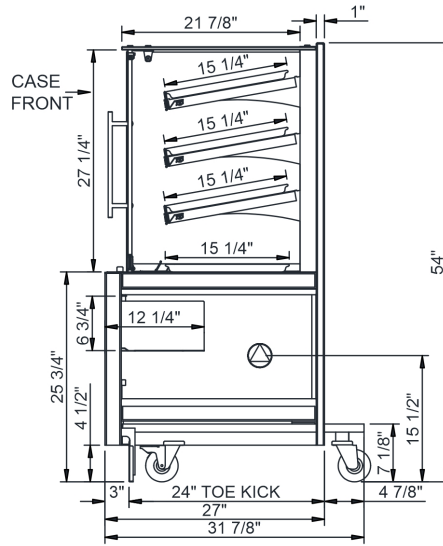
Features	Standard	Options
EXTERIOR COLOR	<input type="checkbox"/> Laminated (Portico Teak)	
EXTRUSION COLOR	<input type="checkbox"/> Black	
INTERIOR COLOR	<input type="checkbox"/> Stainless steel	
BASE	<input type="checkbox"/> Straight base w/ front storage & waste bin	
DECK	<input type="checkbox"/> Painted (Traffic Gray Textured)	
END PANELS	<input type="checkbox"/> Cutaway w/glass end panel	
FRONT DOORS	<input type="checkbox"/> Clear glass swinging doors w/o lock	
UPPER REAR	<input type="checkbox"/> Solid back panel w/stainless mirror	
PRICE TAG MOLDING	<input type="checkbox"/> Price tag molding	
SHELVING	<input type="checkbox"/> Tray support lighted shelves, (trays not included)	
LIGHTS	<input type="checkbox"/> LED 3500K w/ frosted lens	
ELECTRICAL CONNECT	<input type="checkbox"/> 6' Straight blade power cord	

Applications

- Upright self-service merchandiser for non-refrigerated pastry items

Front Facing PC Non-Refrigerated Pastry Case - Portico Teak - Bakery Of The Future

Model	L x D x H (Lengths include end panels)
PC4854.7981	48-1/2"L x 31-7/8"D x 54"H



IMPORTANT NOTES:

1) 2) Units are supplied with levelers which must be adjusted during installation to ensure the unit is level and plumb.



WARNING

This product can expose you to chemicals including Urethane (Ethyl Carbamate), which are known to the State of California to cause cancer and birth defects or other reproductive harm. For more information go to www.P65Warnings.ca.gov.

INTENDED ENVIRONMENT

Designed to operate in ambient conditions of 75°F with 55% relative humidity.

WARMEST AVG PRODUCT TEMP

Zone	Temp (°F)
1	Ambient

INTENDED USE OF DISPLAY AREAS

Zone	Intended Use
1	Unpackaged non-refrigerated products

For more information on any of our products or services please visit us on the web at:

www.structuralconcepts.com

INFORMATION IS SUBJECT TO CHANGE WITHOUT NOTICE. Visit www.structuralconcepts.com for the most current specs.



888 E. Porter Rd. Muskegon, MI 49441 231-798-8888

Front Facing - PC Non-Refrigerated Pastry Case - Portico Teak - Bakery Of The Future

DIMENSIONS / SHIPPING				
Model	L"	L1"	L2"	Est Wt (lbs)
PC4854.7981	N/A	48.500	0.000	N/A

ELECTRICAL																
Model	System Circuit Volts				Ph	Frq	Rated Load Amps	Min Cir Amps	Max OCP Amps	Watts	Wires	NEMA Plug	Amps Lights	Amps Fans	Amps Anti-Sweats	Amps Misc/Refrig/Heat
PC4854.7981	Ambient/Lights	Circuit #1	110-120	1	60	1.01	15	15	38	2+G	5-15P or L5-15P	0.70	0.31	N/A	N/A	

REFRIGERATION														
Model	Zone	Section	System	Envt	REMOTE REFRIGERATION					GLYCOL / R744 REFRIGERATION				
					SST (°F)	Conv. Rack BTUH	Para. Rack BTUH	Defrost Interval (Hrs)	Defrost Duration	Total GPM	Pressure Drop (psi)	Concent (%)	Liquid Temp (°F)	
PC4854.7981	All	Ambient	Ambient/Lights-N/A	Type I	N/A	N/A	N/A	N/A	N/A	N/A	N/A	N/A	N/A	N/A

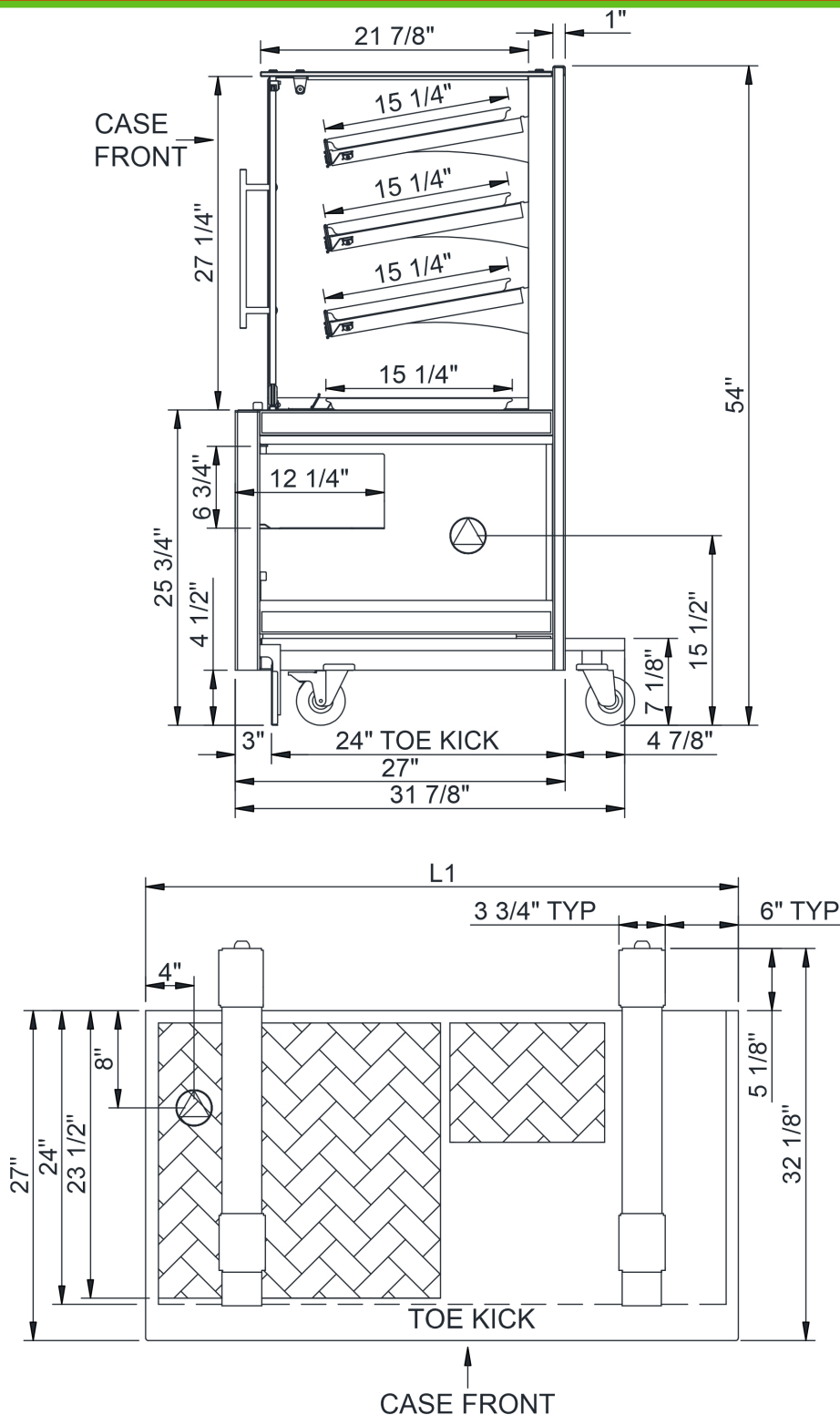
INTENDED ENVIRONMENT		
Type I - Designed to operate in ambient conditions of 75°F with 55% relative humidity unless noted otherwise under Envt above.		
WARMEST AVERAGE PRODUCT TEMP & INTENDED USE OF ZONES		
Zone	Temp (°F)	Intended Use
1	Ambient	Unpackaged non-refrigerated products

IMPORTANT NOTES
1) 2) Units are supplied with levelers which must be adjusted during installation to ensure the unit is level and plumb.

REGULATORY	
All Models	ETL Listed to UL 65 ETL Sanitation to NSF/ANSI 2



Front Facing - PC Non-Refrigerated Pastry Case - Portico Teak - Bakery Of The Future



NOTE: ALL DIMENSIONS APPROXIMATE

- ELECTRICAL JUNCTION BOX (SUPPLIED WITH 6" LEADS OR POWER CORD).
- LOCATION OF DRAIN TUBE FOR REMOTE REF. ONLY (SUPPLIED WITH 3/4" OR 1 1/2" PVC TUBE).

- REFRIGERATION LINE CONNECTION.
- REMOTE FLOOR SINK & UTILITIES ACCESS AREA.

- SELF-CONTAINED CASE SERVICE ACCESS AREA.
- DRY CASE SERVICE ACCESS AREA.