

Technical Information

Reveal® - Combination Convertible Service Above Refrigerated Self-Service Case

Structural Concepts®

DELIVERING FRESH. ALWAYS.™

DIMENSIONS / SHIPPING

Model	L"	L1"	L2"	Est Wt (lbs)
NR3651RRSSV	N/A	35.750	4.125	N/A
NR4851RRSSV	N/A	47.750	4.125	N/A
NR6051RRSSV	N/A	59.750	4.125	N/A
NR7251RRSSV	N/A	71.750	4.125	N/A

ELECTRICAL

Model	System Circuit Volts			Ph	Frq	Rated Load Amps	Min Cir Amps	Max OCP Amps	Watts	Wires	NEMA Plug	Amps Lights	Amps Fans	Amps Anti-Sweats	Amps Misc/Refrig/Heat
NR3651RRSSV	Remote (DX)	Circuit #1	110-120	1	60	1.37	15	15	70	2+G	Leads Multiple	0.70	0.30	0.29	0.08
	Remote (DX)	Circuit #1	110-120	1	60	1.37	15	15	70	2+G	Leads Multiple	0.70	0.30	0.29	0.08
	Self-Contained (R513A)	Circuit #1	110-120	1	60	9.85	15	15	789	2+G	5-15P or L5-15P	0.70	0.90	4.25	4.00
NR4851RRSSV	Remote (DX)	Circuit #1	110-120	1	60	1.74	15	15	98	2+G	Leads Single	0.70	0.60	0.36	0.08
	Remote (DX)	Circuit #1	110-120	1	60	1.74	15	15	98	2+G	Leads Single	0.70	0.60	0.36	0.08
	Self-Contained (R513A)	Circuit #1	110-120	1	60	15.22	20	20	1,231	2+G	5-20P or L5-20P	0.70	1.20	4.32	9.00
	Self-Contained (R513A)	Circuit #1	110-120	1	60	14.80	20	20	1,203	2+G	5-20P or L5-20P	N/A	0.78	4.32	9.70
NR6051RRSSV	Remote (DX)	Circuit #1	110-120	1	60	1.85	15	15	116	2+G	Leads Single	0.70	0.60	0.47	0.08
	Remote (DX)	Circuit #1	110-120	1	60	1.85	15	15	116	2+G	Leads Single	0.70	0.60	0.47	0.08
	Self-Contained (R513A)	Circuit #1	208-240	1	60	11.26	15	15	1,665	2+G	6-15P or L6-15P	0.36	0.75	3.65	6.50
	Self-Contained (R513A)	Circuit #1	208-240	1	50	12.00	15	15	1,477	2+G	6-15P or L6-15P	0.36	1.55	3.65	8.00
NR7251RRSSV	Remote (DX)	Circuit #1	110-120	1	60	1.92	15	15	129	2+G	Leads Single	0.70	0.60	0.54	0.08
	Remote (DX)	Circuit #1	110-120	1	60	1.92	15	15	129	2+G	Leads Single	0.70	0.60	0.54	0.08
	Self-Contained (R513A)	Circuit #1	208-240	1	60	11.29	15	15	1,677	2+G	6-15P or L6-15P	0.36	0.75	3.68	6.50
	Self-Contained (R513A)	Circuit #1	208-240	1	60	11.08	15	15	1,607	2+G	6-15P or L6-15P	0.36	1.16	0.27	9.91

REFRIGERATION

Model	Zone	Section	System	Envt	REMOTE REFRIGERATION					GLYCOL / R744 REFRIGERATION			
					SST (°F)	Conv. Rack BTUH	Para. Rack BTUH	Defrost Interval (Hrs)	Defrost Duration	Total GPM	Pressure Drop (psi)	Concent (%)	Liquid Temp (°F)
NR3651RRSSV	All	Refrigerator	Remote-DX	Type II	20	1,944	1,800	4.00	30.00	N/A	N/A	N/A	N/A
	All	Main	Self-Contained-R513A	Type II	N/A	N/A	N/A	N/A	N/A	N/A	N/A	N/A	N/A
	All	Refrigerator	Remote-DX	Type I	20	1,620	1,500	4.00	30.00	N/A	N/A	N/A	N/A
NR4851RRSSV	All	Refrigerator	Remote-DX	Type II	20	2,592	2,400	4.00	30.00	N/A	N/A	N/A	N/A
	All	Main	Self-Contained-R513A	Type II	N/A	N/A	N/A	N/A	N/A	N/A	N/A	N/A	N/A
	All	Refrigerator	Remote-DX	Type I	20	2,117	1,960	4.00	30.00	N/A	N/A	N/A	N/A
NR6051RRSSV	All	Refrigerator	Remote-DX	Type II	20	3,154	2,920	4.00	30.00	N/A	N/A	N/A	N/A
	All	Main	Self-Contained-R513A	Type II	N/A	N/A	N/A	N/A	N/A	N/A	N/A	N/A	N/A
	All	Refrigerator	Remote-DX	Type I	20	2,635	2,440	4.00	30.00	N/A	N/A	N/A	N/A
NR7251RRSSV	All	Refrigerator	Remote-DX	Type II	20	3,758	3,480	4.00	30.00	N/A	N/A	N/A	N/A
	All	Main	Self-Contained-R513A	Type II	N/A	N/A	N/A	N/A	N/A	N/A	N/A	N/A	N/A
	All	Refrigerator	Remote-DX	Type I	20	3,154	2,920	4.00	30.00	N/A	N/A	N/A	N/A

INTENDED ENVIRONMENT

Type II - Designed to operate in ambient conditions of 80°F and 55% relative humidity unless noted otherwise under Envt above.

WARMEST AVERAGE PRODUCT TEMP & INTENDED USE OF ZONES

Zone	Temp (°F)	Intended Use
1	40	Packaged / unpackaged refrigerated products

IMPORTANT NOTES

- 1) ELECTRICAL NOTE: If GFCI is required, a GFCI breaker MUST be used in lieu of a GFCI receptacle.
- 2) Glass warranty only applicable to first point of delivery.
- 3) Compressor air intake from rear and out front panel at toe kick. Front panel cannot be blocked.

REGULATORY

All Models	Accordance with AHRI Std 1200 ETL Listed to UL 471 ETL Listed to CAN/CSA 22.2 No. 120 ETL Sanitation to NSF/ANSI 7
------------	---



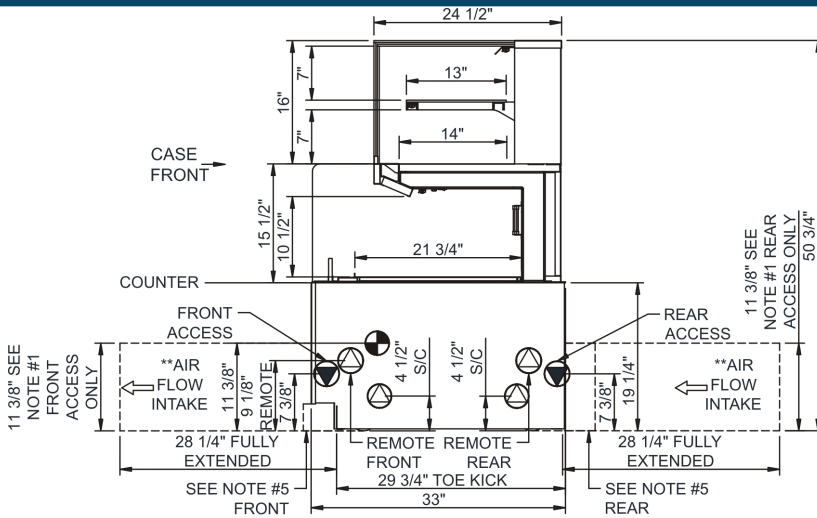
In Accordance with
AHRI Std 1200

Technical Information

Reveal® - Combination Convertible Service Above Refrigerated Self-Service Case

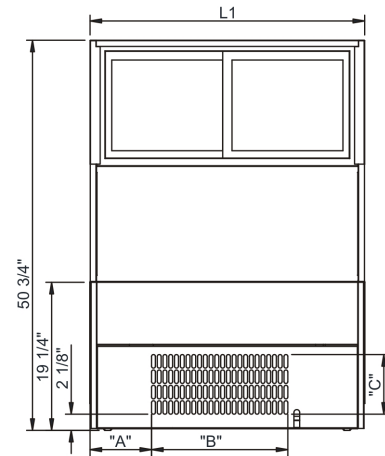
Structural Concepts®

DELIVERING FRESH. ALWAYS.™



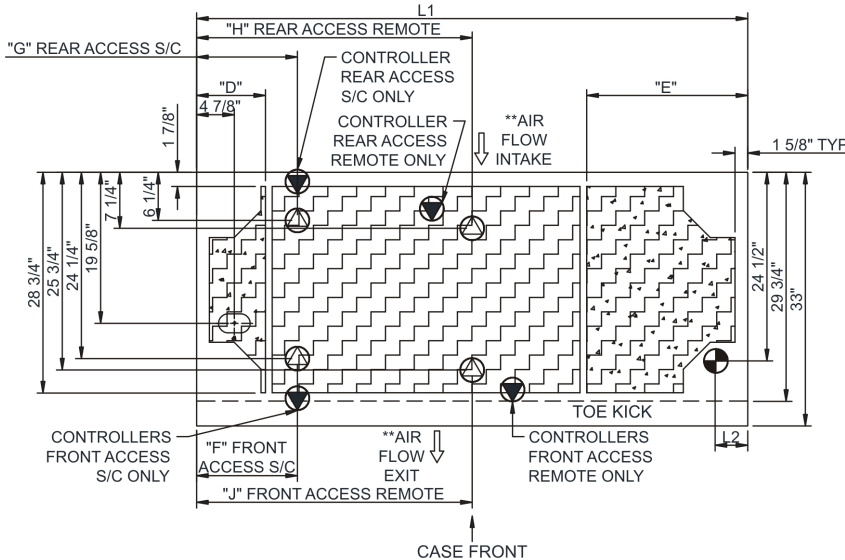
NOTES:

1. 11 3/8" TALL, FULL WIDTH OF CASE OPENING IN CABINET OR COUNTER IS REQUIRED TO PULL OUT REFRIGERATION SYSTEM.
2. BACK OF COUNTER / CABINET MUST BE VENTED PROPERLY FOR ADEQUATE AIRFLOW TO CONDENSER.
3. **REPRESENTS REAR PULLOUT REFRIGERATION. AIR FLOW INTAKE AND EXIT DETAILS ARE REVERSED WITH FRONT PULLOUT REFRIGERATION OPTION.
4. SELF-CONTAINED ACCESS ONLY BY PULLING OUT CONDENSER UNIT.
5. 4" OPEN AREA CLEARANCE REQUIRED FOR AIR FLOW FRONT AND REAR OF CASE.



REAR VIEW

	"A"	"B"	"C"
NR3651RRSSV	8"	17 3/4"	7 3/4"
NR4851RRSSV	14"	17 3/4"	7 3/4"
NR6051RRSSV	13"	30 1/2"	7 3/4"
NR7251RRSSV	25"	30 1/2"	7 3/4"



	"D"	"E"	"F"	"G"	"H"	"J"
NR3651RRSSV	N/A	N/A	7 1/8"	7 1/8"	17 7/8"	17 7/8"
NR4851RRSSV	9"	9"	13 1/8"	7 1/8"	23 7/8"	23 7/8"
NR6051RRSSV	9"	9"	13 1/8"	13 1/8"	29 7/8"	29 7/8"
NR7251RRSSV	9"	21"	13 1/8"	13 1/8"	35 7/8"	35 7/8"

NOTE: ALL DIMENSIONS APPROXIMATE

- ELECTRICAL JUNCTION BOX (SUPPLIED WITH 6" LEADS OR POWER CORD).
- REFRIGERATION LINE CONNECTION.
- SELF-CONTAINED CASE SERVICE ACCESS AREA.
- LOCATION OF DRAIN TUBE FOR REMOTE REF. ONLY (SUPPLIED WITH 3/4" OR 1 1/2" PVC TUBE).
- REMOTE FLOOR SINK & UTILITIES ACCESS AREA.
- DRY CASE SERVICE ACCESS AREA.