

Technical Information

Blend - Refrigerated Self-Service End Cap

Structural Concepts®

DELIVERING FRESH. ALWAYS.™

DIMENSIONS / SHIPPING				
Model	L"	L1"	L2"	Est Wt (lbs)
NM7255RSSA	N/A	72.000	4.125	N/A

ELECTRICAL															
Model	System Circuit Volts			Ph	Frq	Rated Load Amps	Min Cir Amps	Max OCP Amps	Watts	Wires	NEMA Plug	Amps Lights	Amps Fans	Amps Anti-Sweats	Amps Misc/Refrig/Heat
NM7255RSSA	Remote (DX)	Circuit #1	110-120	1	60	1.64	15	15	105	2+G	Leads Single	0.70	0.60	0.26	0.08
	Remote (DX)	Circuit #1	110-120	1	60	1.64	15	15	105	2+G	Leads Single	0.70	0.60	0.26	0.08
	Self-Contained (R513A)	Circuit #1	208-240	1	60	12.00	15	15	1,909	2+G	6-15P or L6-15P	0.36	0.75	3.55	8.00

REFRIGERATION													
Model	Zone	Section	System	Envt	REMOTE REFRIGERATION					GLYCOL / R744 REFRIGERATION			
					SST (°F)	Conv. Rack BTUH	Para. Rack BTUH	Defrost Interval (Hrs)	Defrost Duration	Total GPM	Pressure Drop (psi)	Concent (%)	Liquid Temp (°F)
NM7255RSSA	All	Refrigerator	Remote-DX	Type II	20	7,193	6,660	4.00	25.00	N/A	N/A	N/A	N/A
	All	Main	Self-Contained-R513A	Type II	N/A	N/A	N/A	N/A	N/A	N/A	N/A	N/A	N/A
	All	Refrigerator	Remote-DX	Type I	20	5,789	5,360	4.00	25.00	N/A	N/A	N/A	N/A

INTENDED ENVIRONMENT		
Type II - Designed to operate in ambient conditions of 80°F and 55% relative humidity unless noted otherwise under Envt above.		
WARMEST AVERAGE PRODUCT TEMP & INTENDED USE OF ZONES		
Zone	Temp (°F)	Intended Use
1	40	Packaged refrigerated products

IMPORTANT NOTES
1) ELECTRICAL NOTE: If GFCI is required, a GFCI breaker MUST be used in lieu of a GFCI receptacle
2) Remove tool free front panel to fit through 36" door.
3) Back side of counter must be open or vented the full length of the unit to allow proper ventilation for the refrigeration system.
4) Glass warranty only applicable to first point of delivery.

REGULATORY	
All Models	Accordance with AHRI Std 1200 ETL Listed to UL 471 ETL Listed to CAN/CSA 22.2 No. 120 ETL Sanitation to NSF/ANSI 7



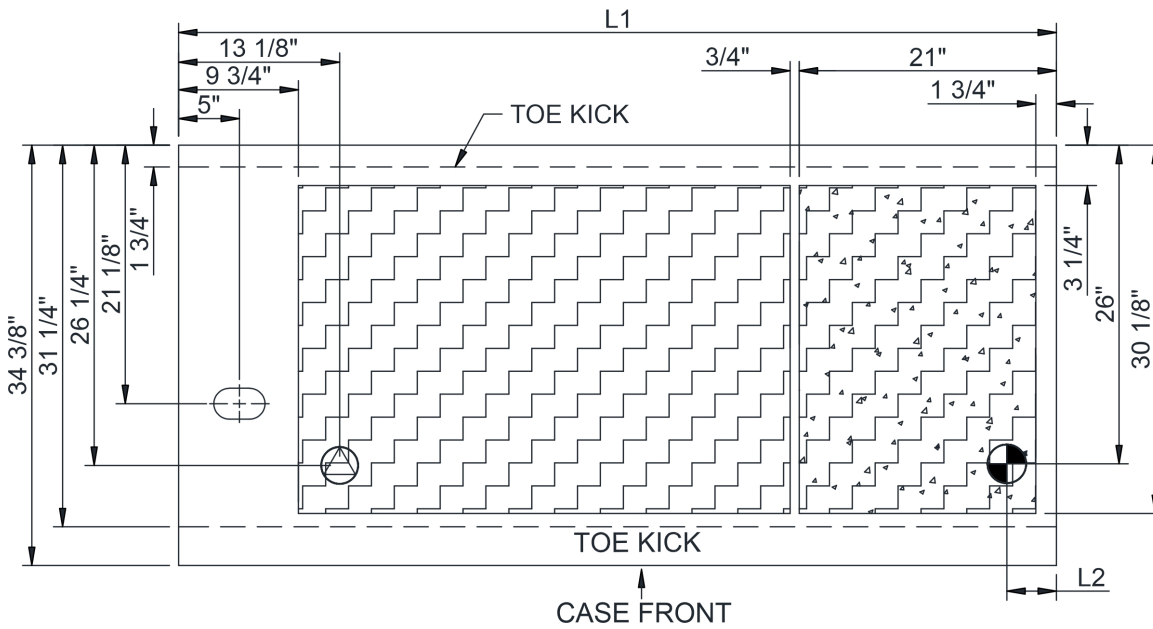
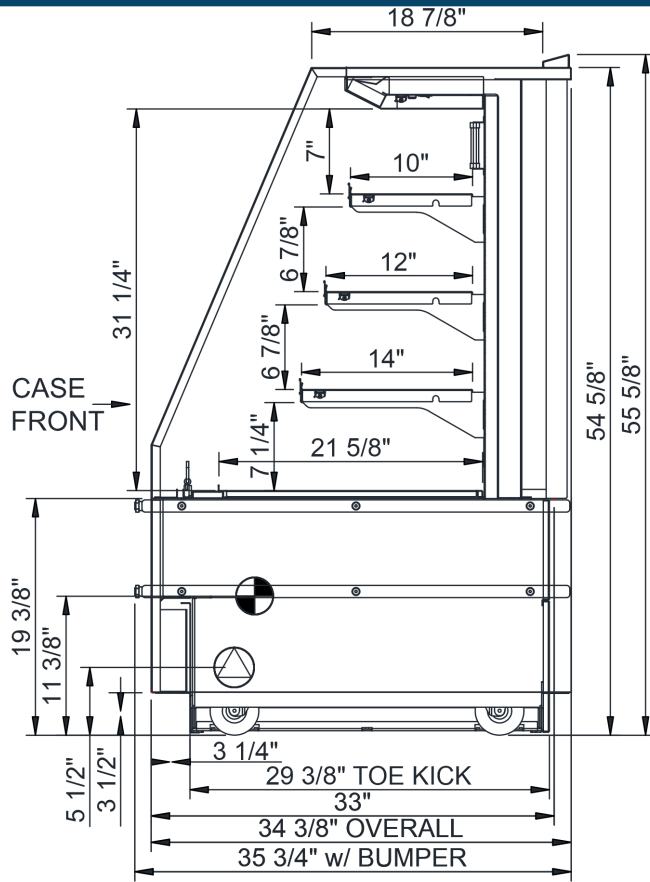
In Accordance with
AHRI Std 1200

Technical Information

Blend - Refrigerated Self-Service End Cap

Structural Concepts®

DELIVERING FRESH. ALWAYS.™



NOTE: ALL DIMENSIONS APPROXIMATE

-  ELECTRICAL JUNCTION BOX (SUPPLIED WITH 6" LEADS OR POWER CORD).
-  REFRIGERATION LINE CONNECTION.
-  SELF-CONTAINED CASE SERVICE ACCESS AREA.
-  LOCATION OF DRAIN TUBE FOR REMOTE REF. ONLY (SUPPLIED WITH 3/4" OR 1 1/2" PVC TUBE).
-  REMOTE FLOOR SINK & UTILITIES ACCESS AREA.
-  DRY CASE SERVICE ACCESS AREA.