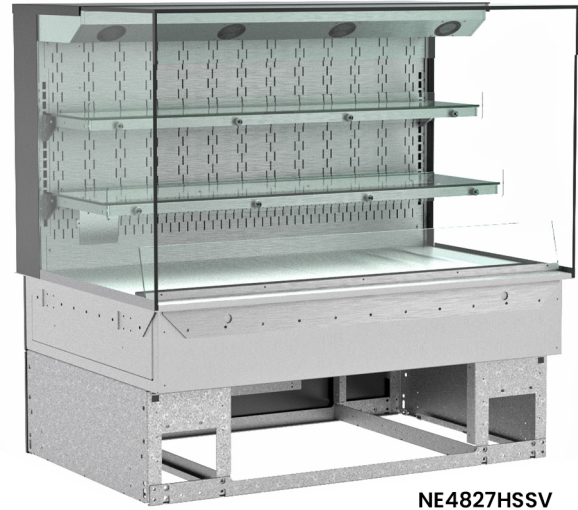


- **NE3627HSSV** 35-3/4"L x 33"D x 27-7/8"H
- **NE4827HSSV** 47-3/4"L x 33"D x 27-7/8"H

Included

- NOTE: Glass warranty only applicable to first point of delivery
- Convection heat
- (2) Levels of clear glass shelving removable and adjustable on 1" centers
- Glass end
- LED top & shelf lights
- NOTE: Overall case height is 47-1/8" (includes below counter)
- One year parts & labor warranty
- Slide in base
- Stainless steel interior
- UV bonded frameless glass

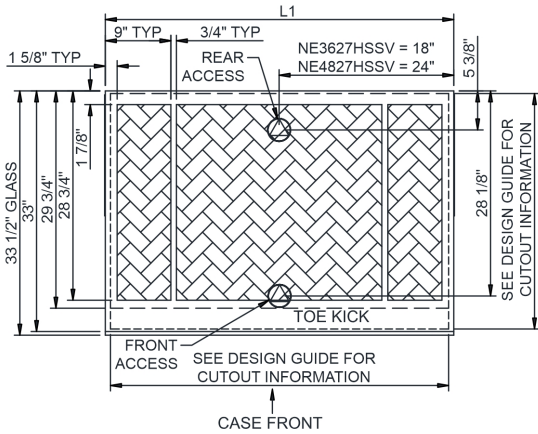


NE4827HSSV

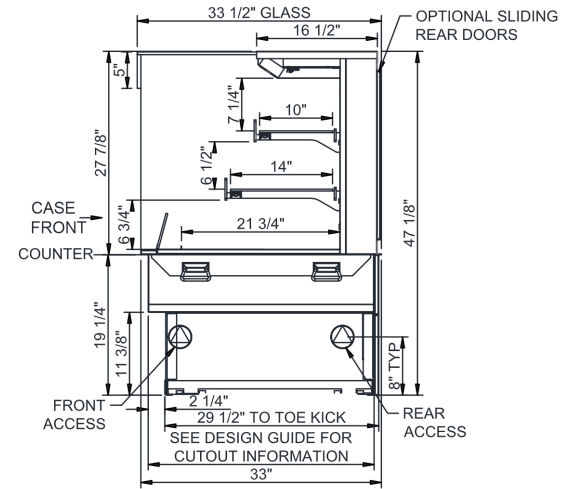
Specify	Standard Features	Additional Options
FRAME EXTERIOR COLOR	<ul style="list-style-type: none"> • Black 	<ul style="list-style-type: none"> • Painted (non-stock colors, specify RAL#) • Painted (stock colors, specify RAL#) • Stainless steel
UPPER REAR	<ul style="list-style-type: none"> • None (solid back panel) 	<ul style="list-style-type: none"> • Clear glass rear sliding doors • Reflective glass rear sliding doors
LIGHTS	<ul style="list-style-type: none"> • LED 3500K w/ frosted lens 	<ul style="list-style-type: none"> • LED 3000K w/ frosted lens • LED 4000K w/ frosted lens
ELECTRICAL CONNECTION	<ul style="list-style-type: none"> • 10' Straight blade power cord 	<ul style="list-style-type: none"> • 10' Locking blade power cord • Electrical leads (non-refrigerated)
MISCELLANEOUS		<ul style="list-style-type: none"> • Remoted control (allows controls to be up to 8' from center of case) • Second year parts & labor warranty

Intended Environment: Type I - Designed to operate in ambient conditions of 75°F with 55% relative humidity unless noted otherwise in system information below.		
Zone	Intended Product To Be Displayed	Warmest Avg Prod Temp ° F
1	Packaged / unpackaged heated products	160

PLAN VIEW



SIDE VIEW



NOTE: ALL DIMENSIONS APPROXIMATE

- ELECTRICAL JUNCTION BOX (SUPPLIED WITH 6" LEADS OR POWER CORD).
- LOCATION OF DRAIN TUBE FOR REMOTE REF. ONLY (SUPPLIED WITH 3/4" OR 1 1/2" PVC TUBE).

- REFRIGERATION LINE CONNECTION.
- REMOTE FLOOR SINK & UTILITIES ACCESS AREA.

- SELF-CONTAINED CASE SERVICE ACCESS AREA.
- DRY CASE SERVICE ACCESS AREA.

Model Technical Specifications																
Model	L"	L1"	L2"	System	Circuit	Volts	Phs	Freq	Amps ***	Watts	Wires	NEMA Plug	SST	Conv. Rack RTUH	Para. Rack RTUH	Est Wt
NE3627HSSV	N/A	35.75	.00	Heat (N/A)	Circuit #1	208-240	1	60	18.25	3,604	2+G	6-30P or L6-30P	N/A	N/A	N/A	700
NE4827HSSV	N/A	47.75	.00	Heat (N/A)	Circuit #1	208-240	1	60	24.37	4,838	2+G	6-30P or L6-30P	N/A	N/A	N/A	850

*** Does not include electric defrost on freezer models.

Regulatory Approvals:

All Models ETL Listed to UL 197
 ETL Listed to CAN/CSA 22.2 No. 109
 ETL Sanitation to NSF/ANSI 4



Important Notes:

- 1) ELECTRICAL NOTE: If GFCI is required, a GFCI breaker MUST be used in lieu of a GFCI receptacle.
- 2) 19.25" minimum space required beneath counter surface.
- 3) Glass warranty only applicable to first point of delivery.

⚠ WARNING: This product can expose you to chemicals, including Urethane (Ethyl Carbamate), which are known to the State of California to cause cancer and birth defects or other reproductive harm. For more information go to www.P65Warnings.ca.gov.