

# Technical Information

Reveal® - Non-Refrigerated Service Slide In Counter Case

Structural Concepts®

DELIVERING FRESH. ALWAYS.™

| DIMENSIONS / SHIPPING |     |        |       |              |
|-----------------------|-----|--------|-------|--------------|
| Model                 | L"  | L1"    | L2"   | Est Wt (lbs) |
| NE3627DSV             | N/A | 35.750 | 0.000 | N/A          |
| NE4827DSV             | N/A | 47.750 | 0.000 | N/A          |

| ELECTRICAL |                      |            |         |    |     |                 |              |              |       |       |                 |             |           |                  |                       |
|------------|----------------------|------------|---------|----|-----|-----------------|--------------|--------------|-------|-------|-----------------|-------------|-----------|------------------|-----------------------|
| Model      | System Circuit Volts |            |         | Ph | Frq | Rated Load Amps | Min Cir Amps | Max OCP Amps | Watts | Wires | NEMA Plug       | Amps Lights | Amps Fans | Amps Anti-Sweats | Amps Misc/Refrig/Heat |
| NE3627DSV  | Ambient/Lights (N/A) | Circuit #1 | 110-120 | 1  | 60  | 0.70            | 15           | 15           | 11    | 2+G   | 5-15P or L5-15P | 0.70        | N/A       | N/A              | N/A                   |
| NE4827DSV  | Ambient/Lights (N/A) | Circuit #1 | 110-120 | 1  | 60  | 0.70            | 15           | 15           | 17    | 2+G   | 5-15P or L5-15P | 0.70        | N/A       | N/A              | N/A                   |

| REFRIGERATION |      |         |                    |         |                      |                 |                 |                        |                  |                             |                     |             |                  |     |
|---------------|------|---------|--------------------|---------|----------------------|-----------------|-----------------|------------------------|------------------|-----------------------------|---------------------|-------------|------------------|-----|
| Model         | Zone | Section | System             | Envt    | REMOTE REFRIGERATION |                 |                 |                        |                  | GLYCOL / R744 REFRIGERATION |                     |             |                  |     |
|               |      |         |                    |         | SST (°F)             | Conv. Rack BTUH | Para. Rack BTUH | Defrost Interval (Hrs) | Defrost Duration | Total GPM                   | Pressure Drop (psi) | Concent (%) | Liquid Temp (°F) |     |
| NE3627DSV     | All  | Ambient | Ambient/Lights-N/A | Type II | N/A                  | N/A             | N/A             | N/A                    | N/A              | N/A                         | N/A                 | N/A         | N/A              | N/A |
| NE4827DSV     | All  | Ambient | Ambient/Lights-N/A | Type II | N/A                  | N/A             | N/A             | N/A                    | N/A              | N/A                         | N/A                 | N/A         | N/A              | N/A |

| INTENDED ENVIRONMENT   |           |                                      |
|--|-----------|--------------------------------------|
| Type I - Designed to operate in ambient conditions of 75°F with 55% relative humidity unless noted otherwise under Envt above. |           |                                      |
| WARMEST AVERAGE PRODUCT TEMP & INTENDED USE OF ZONES   |           |                                      |
| Zone   | Temp (°F) | Intended Use                         |
| 1  | Ambient   | Unpackaged non-refrigerated products |

| IMPORTANT NOTES   |
|---|
| 1) ELECTRICAL NOTE: If GFCI is required, a GFCI breaker MUST be used in lieu of a GFCI receptacle |
| 2) 19.25" minimum space required beneath counter surface.   |
| 3) Glass warranty only applicable to first point of delivery.                                     |

| REGULATORY |   |
|------------|---|
| All Models | ETL Listed to UL 65<br>ETL Sanitation to NSF/ANSI 2 |

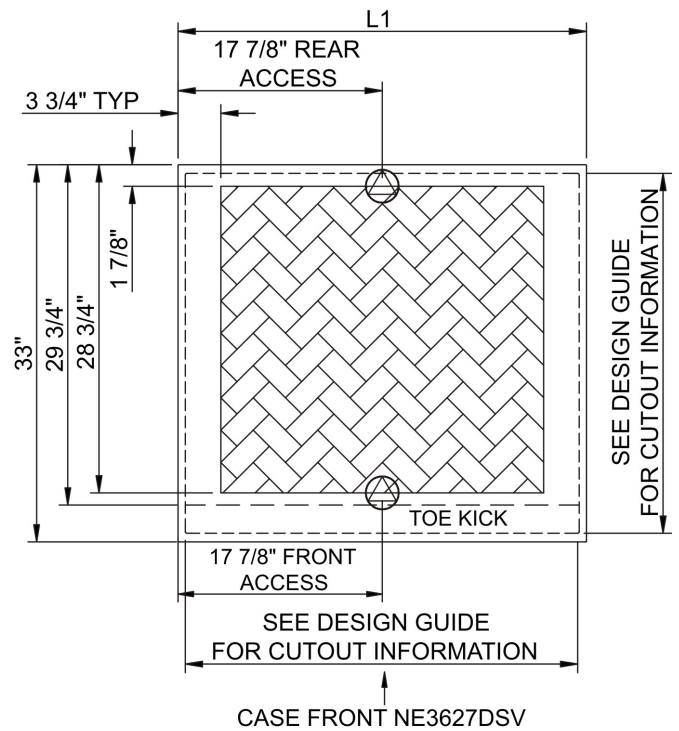
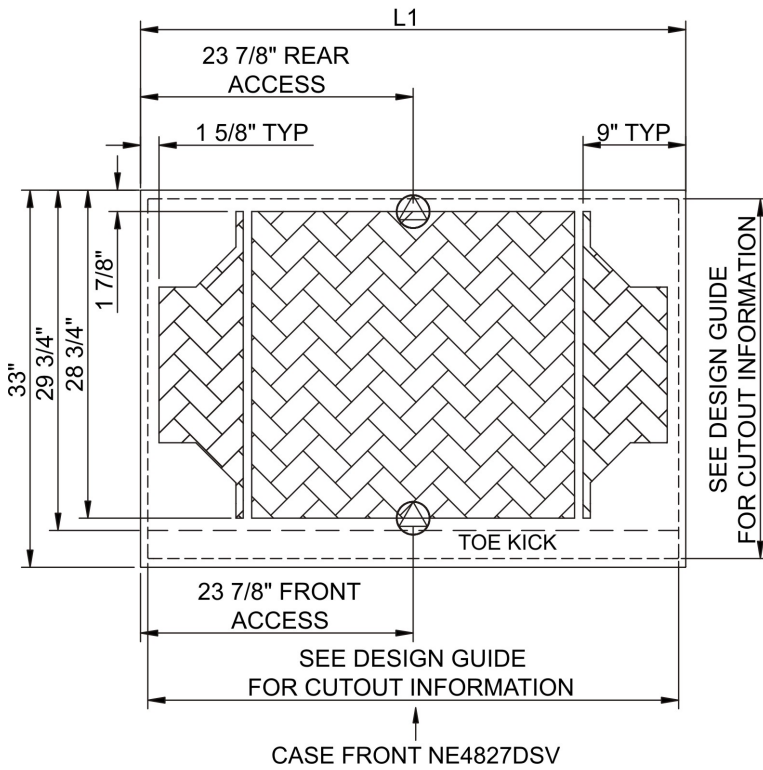
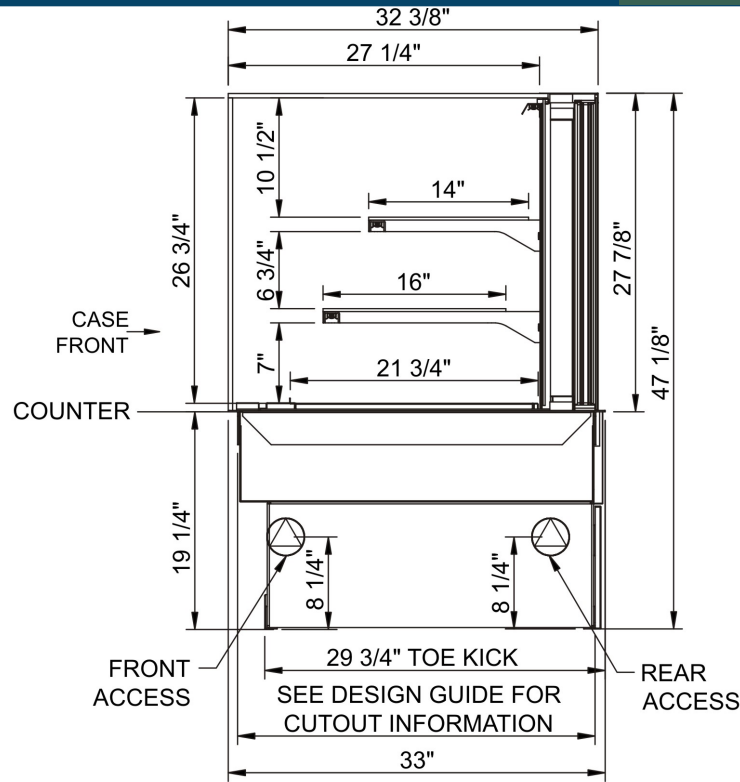


# Technical Information

Reveal® - Non-Refrigerated Service Slide In Counter Case

Structural Concepts®

DELIVERING FRESH. ALWAYS.™



NOTE: ALL DIMENSIONS APPROXIMATE

- ELECTRICAL JUNCTION BOX (SUPPLIED WITH 6" LEADS OR POWER CORD).
- LOCATION OF DRAIN TUBE FOR REMOTE REF. ONLY (SUPPLIED WITH 3/4" OR 1 1/2" PVC TUBE).

- REFRIGERATION LINE CONNECTION.
- REMOTE FLOOR SINK & UTILITIES ACCESS AREA.

- SELF-CONTAINED CASE SERVICE ACCESS AREA.
- DRY CASE SERVICE ACCESS AREA.