

Technical Information

Oasis - Refrigerated Self-Service Multi-Purpose Island - 3' Case Depth

Structural Concepts®

DELIVERING FRESH. ALWAYS.™

DIMENSIONS / SHIPPING				
Model	L"	L1"	L2"	Est Wt (lbs)
MI32R	N/A	26.125	7.000	N/A
MI33R	N/A	38.125	7.000	N/A
MI36R	N/A	74.125	7.000	N/A

ELECTRICAL															
Model	System Circuit Volts			Ph	Frq	Rated Load Amps	Min Cir Amps	Max OCP Amps	Watts	Wires	NEMA Plug	Amps Lights	Amps Fans	Amps Anti-Sweats	Amps Misc/Refrig/Heat
MI32R	Self-Contained (R513A)	Circuit #1	110-120	1	60	11.04	15	15	1,014	N/A	5-15P or L5-15P	N/A	0.60	0.24	10.20
MI33R	Self-Contained (R513A)	Circuit #1	110-120	1	60	9.35	15	15	801	2+G	5-15P or L5-15P	N/A	0.90	4.45	4.00
MI36R	Self-Contained (R513A)	Circuit #1	110-120	1	60	15.19	20	20	1,540	2+G	5-20P or L5-20P	N/A	1.72	6.72	6.75

REFRIGERATION														
Model	Zone	Section	System	Envt	REMOTE REFRIGERATION					GLYCOL / R744 REFRIGERATION				
					SST (°F)	Conv. Rack BTUH	Para. Rack BTUH	Defrost Interval (Hrs)	Defrost Duration	Total GPM	Pressure Drop (psi)	Concent (%)	Liquid Temp (°F)	
MI32R	All	Main	Self-Contained-R513A	Type I	N/A	N/A	N/A	N/A	N/A	N/A	N/A	N/A	N/A	N/A
MI33R	All	Main	Self-Contained-R513A	Type I	N/A	N/A	N/A	N/A	N/A	N/A	N/A	N/A	N/A	N/A
MI36R	All	Main	Self-Contained-R513A	Type I	N/A	N/A	N/A	N/A	N/A	N/A	N/A	N/A	N/A	N/A

INTENDED ENVIRONMENT		
Type I - Designed to operate in ambient conditions of 75°F with 55% relative humidity unless noted otherwise under Envt above.		
WARMEST AVERAGE PRODUCT TEMP & INTENDED USE OF ZONES		
Zone	Temp (°F)	Intended Use
1	38-40	Packaged raw meat (38°) Packaged produce/deli (40°)

IMPORTANT NOTES
1) ELECTRICAL NOTE: If GFCI is required, a GFCI breaker MUST be used in lieu of a GFCI receptacle
2) Maximum load height is 8-1/4" up from deck.
3) Compressor air side intake and side discharge. All louvered panels cannot be blocked.

REGULATORY	
All Models	Accordance with AHRI Std 1200 ETL Listed to UL 471 ETL Listed to CAN/CSA 22.2 No. 120 ETL Sanitation to NSF/ANSI 7



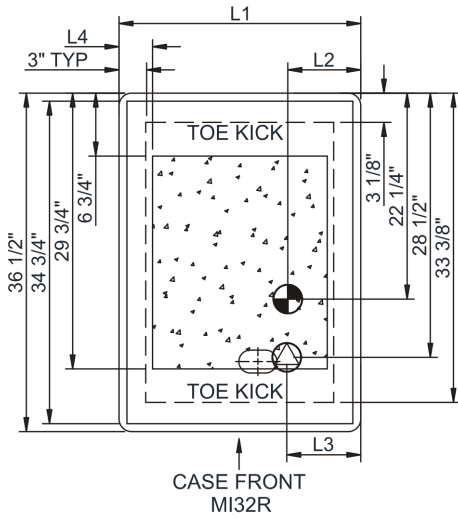
In Accordance with
AHRI Std 1200

Technical Information

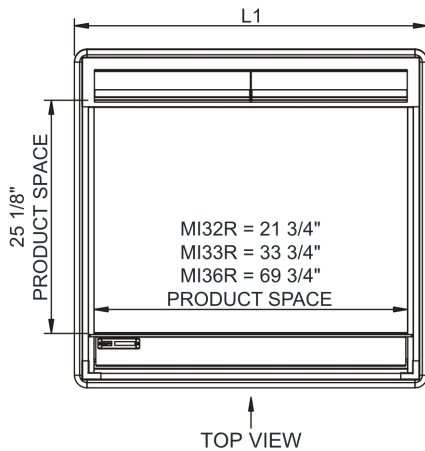
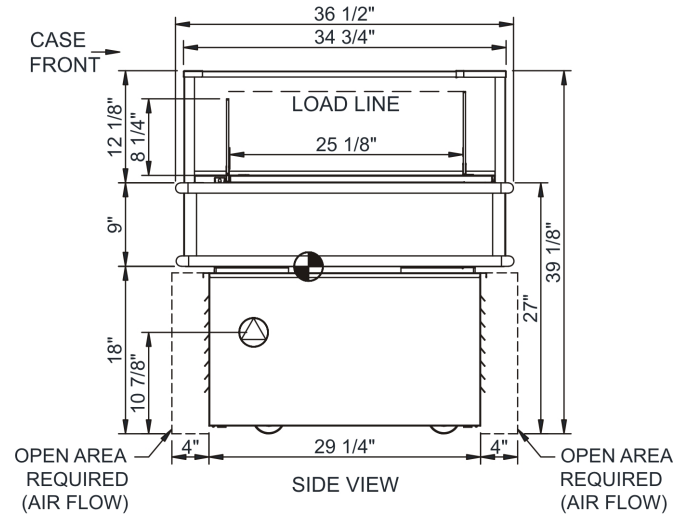
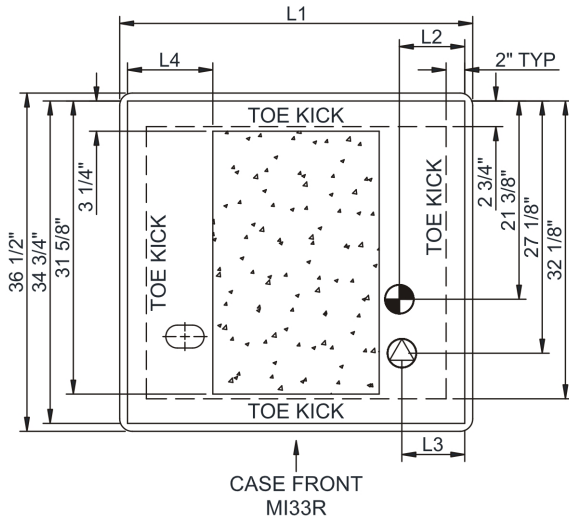
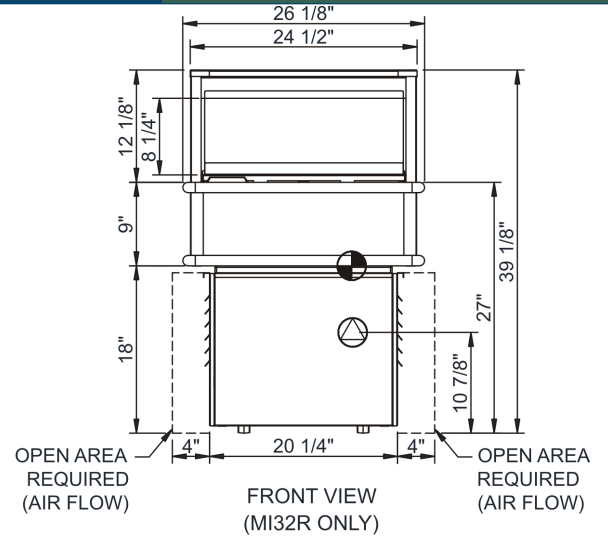
Oasis - Refrigerated Self-Service Multi-Purpose Island - 3' Case Depth

Structural Concepts®

DELIVERING FRESH. ALWAYS.™



	"L3"	"L4"
MI32R	8"	3 5/8"
MI33R	7"	6 3/4"
MI36R	7"	8 3/4"



NOTE: ALL DIMENSIONS APPROXIMATE

⊗ ELECTRICAL JUNCTION BOX
(SUPPLIED WITH 6" LEADS OR POWER CORD).
⊙ LOCATION OF DRAIN TUBE FOR REMOTE REF.
ONLY (SUPPLIED WITH 3/4" OR 1 1/2" PVC TUBE).

⊕ REFRIGERATION LINE CONNECTION.
⊞ REMOTE FLOOR SINK & UTILITIES
ACCESS AREA.

⊞ SELF-CONTAINED CASE SERVICE ACCESS AREA.
⊞ DRY CASE SERVICE ACCESS AREA.