

Bread - HMO Combination Non-Refrigerated Shelving Above Refrigerated Self-Service Case For Pizza

Models

HMO2665R.7819



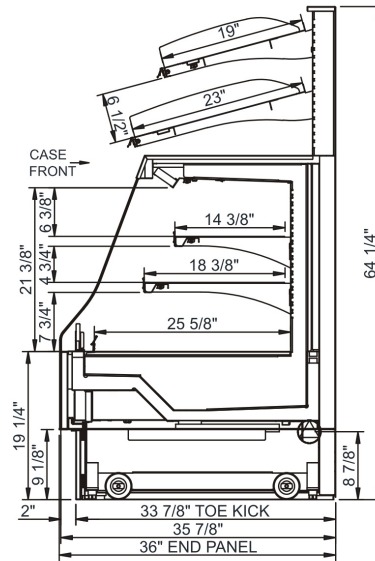
Features	Standard	Options
EXTERIOR COLOR	<input type="checkbox"/> Laminated (Huntington Maple)	<input type="checkbox"/> Laminated (Portico Teak)
INTERIOR COLOR	<input type="checkbox"/> Painted (Caramel Sagawood), Textured	<input type="checkbox"/> Painted (Bronze Pearlescent)
TRIM COLOR	<input type="checkbox"/> Stainless steel	<input type="checkbox"/> Painted
BASE SUPPORT	<input type="checkbox"/> Levelers	
BUMPER	<input type="checkbox"/> Rail bumper on upper front panel	<input type="checkbox"/> 1" bumper on ends
END PANELS	<input type="checkbox"/> Full end panel	
LOWER FRONT PANEL	<input type="checkbox"/> Flat front panel	
TOE KICK	<input type="checkbox"/> Toe kick, black	<input type="checkbox"/> Toe kick, Bronze Pearlescent
UPPER FRONT	<input type="checkbox"/> Open reach-in front	
UPPER REAR	<input type="checkbox"/> Solid upper back panel	
LOWER REFRIGERATED DISPLAY	<input type="checkbox"/> (2) levels of shelves	
UPPER NON-REFRIGERATED DISPLAY	<input type="checkbox"/> (2) levels of shelves	
LIGHTS	<input type="checkbox"/> LED top & shelf lights	
ELECTRICAL CONNECT	<input type="checkbox"/> Leads	
FAN MOTORS	<input type="checkbox"/> Energy efficient evaporator fans	
REFRIGERATION	<input type="checkbox"/> Breeze w/EnergyWise s/c refrigeration (front pull-out)	

Applications

- Low profile self-service merchandiser with upper shelving

Bread HMO Combination Non-Refrigerated Shelving Above Refrigerated Self-Service Case For Pizza

Model	L x D x H (Lengths include end panels)
HMO2665R.7819	27"L x 36"D x 64-1/4"H



IMPORTANT NOTES:

- 1) Units are supplied with levelers which need to be adjusted during installation to ensure the unit is level and plumb.
- 2) Dimensions reflect levelers extended 1-1/4".
- 3) Compressor air front intake, rear discharge. Toe kick cannot be blocked.

WARNING

This product can expose you to chemicals including Urethane (Ethyl Carbamate), which are known to the State of California to cause cancer and birth defects or other reproductive harm. For more information go to www.P65Warnings.ca.gov.

INTENDED ENVIRONMENT

Designed to operate in ambient conditions of 75°F with 55% relative humidity.

WARMEST AVG PRODUCT TEMP

Zone	Temp (°F)
1	Ambient
2	38

INTENDED USE OF DISPLAY AREAS

Zone	Intended Use
1	Packaged non-refrigerated products
2	Packaged refrigerated products

For more information on any of our products or services please visit us on the web at:

www.structuralconcepts.com

Bread - HMO Combination Non-Refrigerated Shelving Above Refrigerated Self-Service Case For Pizza

DIMENSIONS / SHIPPING				
Model	L"	L1"	L2"	Est Wt (lbs)
HMO2665R.7819	N/A	27.000	0.000	N/A

ELECTRICAL															
Model	System Circuit Volts			Ph	Frq	Rated Load Amps	Min Cir Amps	Max OCP Amps	Watts	Wires	NEMA Plug	Amps Lights	Amps Fans	Amps Anti-Sweats	Amps Misc/Refrig/Heat
HMO2665R.7819	Self-Contained	Circuit #1	110-120	1	60	9.67	15	15	779	2+G	Leads Single	0.70	0.92	4.05	4.00

REFRIGERATION														
Model	Zone	Section	System	Envt	REMOTE REFRIGERATION					GLYCOL / R744 REFRIGERATION				
					SST (°F)	Conv. Rack BTUH	Para. Rack BTUH	Defrost Interval (Hrs)	Defrost Duration (Mins)	Total GPM	Pressure Drop (psi)	Concent (%)	Liquid Temp (°F)	
HMO2665R.7819	All	Main	Self-Contained-R513A	Type I	N/A	N/A	N/A	N/A	N/A	N/A	N/A	N/A	N/A	N/A

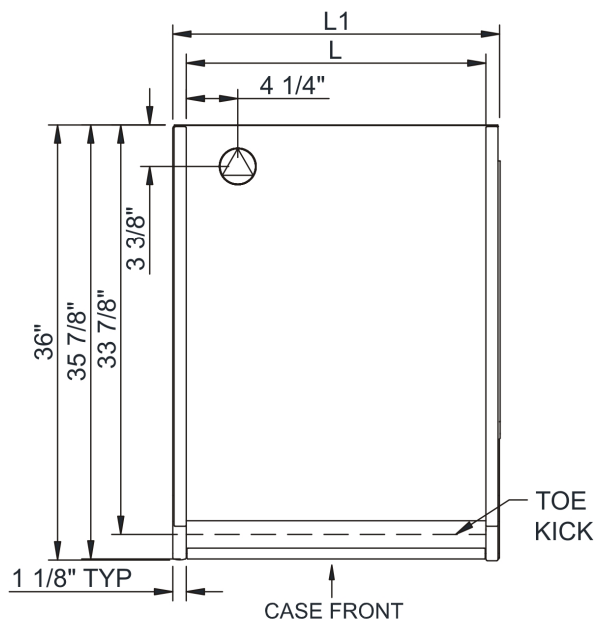
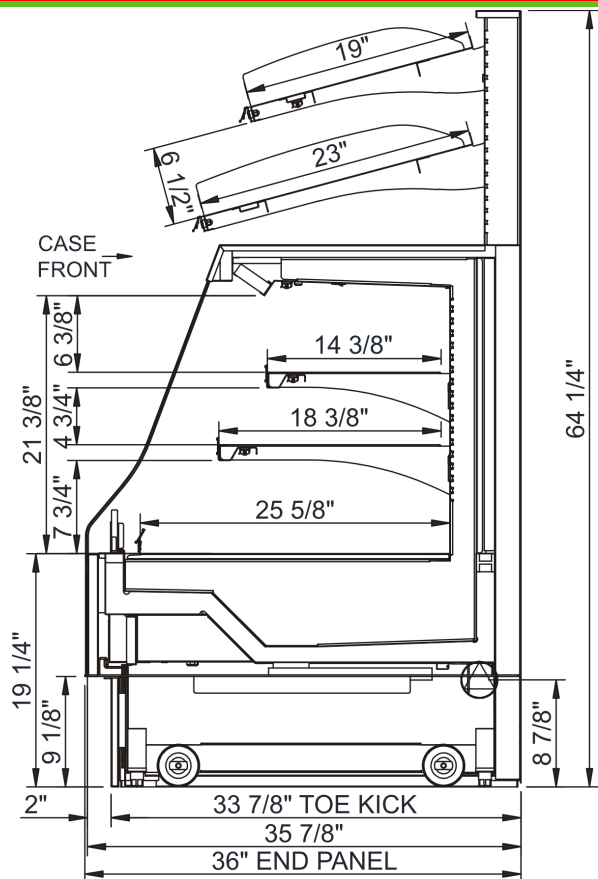
INTENDED ENVIRONMENT		
WARMEST AVERAGE PRODUCT TEMP & INTENDED USE OF ZONES		
Zone	Temp (°F)	Intended Use
1	Ambient	Packaged non-refrigerated products
2	38	Packaged refrigerated products

IMPORTANT NOTES
1) Units are supplied with levelers which need to be adjusted during installation to ensure the unit is level and plumb.
2) Dimensions reflect levelers extended 1-1/4".
3) Compressor air front intake, rear discharge. Toe kick cannot be blocked.

REGULATORY	
All Models	Accordance with AHRI Std 1200 ETL Listed to UL 471 ETL Listed to CAN/CSA 22.2 No. 120 ETL Sanitation to NSF 7



Bread - HMO Combination Non-Refrigerated Shelving Above Refrigerated Self-Service Case For Pizza



NOTE: ALL DIMENSIONS APPROXIMATE

- ⊗ ELECTRICAL JUNCTION BOX (SUPPLIED WITH 6" LEADS OR POWER CORD).
- ⊙ REFRIGERATION LINE CONNECTION.
- ⊗ SELF-CONTAINED CASE SERVICE ACCESS AREA.
- ⊙ LOCATION OF DRAIN TUBE FOR REMOTE REF. ONLY (SUPPLIED WITH 3/4" OR 1 1/2" PVC TUBE).
- ⊗ REMOTE FLOOR SINK & UTILITIES ACCESS AREA.
- ⊗ DRY CASE SERVICE ACCESS AREA.