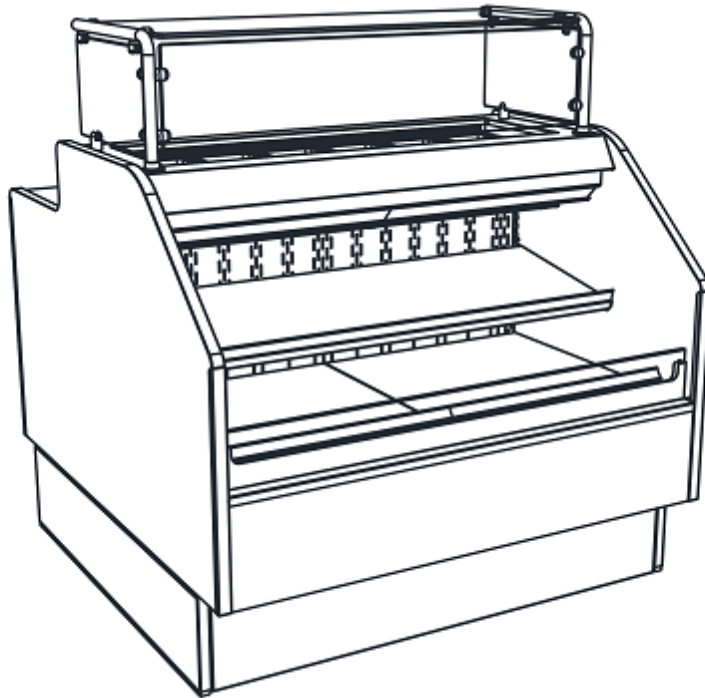


Sushi - Combination Prep/Ref Self-Service Case w/ Rear Storage - CO2 w/ Danfoss Controller

Models

GP441RRC.5825.7716



Features	Standard	Options
EXTERIOR COLOR	<input type="checkbox"/> Laminated (Carbon Mesh)	<input type="checkbox"/> Laminated (Xanadu)
INTERIOR COLOR	<input type="checkbox"/> Stainless steel	
TRIM COLOR	<input type="checkbox"/> Silver trim & sneeze guard posts	
BASE SUPPORT	<input type="checkbox"/> Rail system for shims	
BUMPER END	<input type="checkbox"/> None	<input type="checkbox"/> 1" bumper (black) (3 rows)
BUMPER FRONT	<input type="checkbox"/> 1" bumper (black)	
END PANELS	<input type="checkbox"/> Full with mirror	
LOWER FRONT PANEL	<input type="checkbox"/> Stainless steel	<input type="checkbox"/> Publix matte black
REAR STORAGE	<input type="checkbox"/> Refrigerated rear storage (w/doors)	
REAR WORK SURFACE	<input type="checkbox"/> White poly	
UPPER FRONT PANEL	<input type="checkbox"/> Laminated (Carbon Mesh)	<input type="checkbox"/> Laminated (Xanadu)
LOWER DISPLAY	<input type="checkbox"/> Solid shelves, lighted (LED)	
ELECTRICAL CONNECT	<input type="checkbox"/> Leads	
REFRIGERATION	<input type="checkbox"/> Remote CO2 refrigeration (specify type) w/ Danfoss controller	

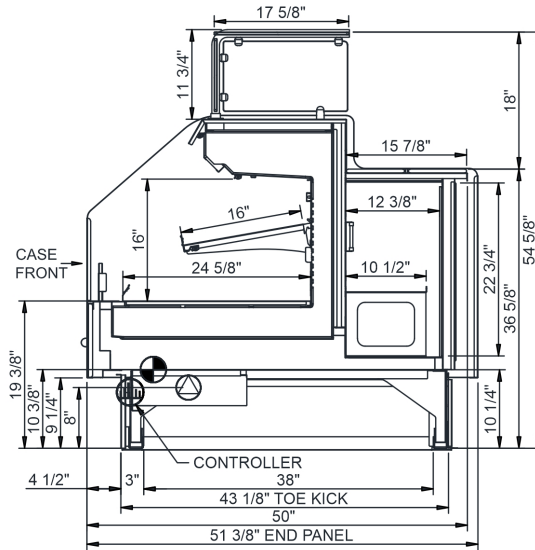
Applications

- Combination Prep merchandiser for packaged / unpackaged refrigerated deli items

Sushi Combination Prep/Ref Self-Service Case w/ Rear Storage - CO2 w/ Danfoss Controller

Model	L x D x H (Lengths include end panels)
GP441RRC.5825.7716	51"L x 51-3/8"D x 54-5/8"H

MODEL	w/ CONTROLLER
GP441RR.5825.6527	REMOTE DX w/ DIXELL XM679
GP441RR.5825.7716	REMOTE DX w/ DANFOSS
GP441RRC.5825.6527	REMOTE CO2 w/ DIXELL XM670
GP441RRC.5825-B.7716	REMOTE CO2 w/ DANFOSS-GREENWISE
MODEL	w/o CONTROLLER
GP441RR.5825	REMOTE DX
GP441RRG.5825	REMOTE GLYCOL



IMPORTANT NOTES:

- 1) Units must be shimmed during installation to ensure unit is level and plumb.
- 2) Pans are not supplied with unit.

WARNING

This product can expose you to chemicals including Urethane (Ethyl Carbamate), which are known to the State of California to cause cancer and birth defects or other reproductive harm. For more information go to www.P65Warnings.ca.gov.

INTENDED ENVIRONMENT

Designed to operate in ambient conditions of 75°F with 55% relative humidity.

WARMEST AVG PRODUCT TEMP

Zone	Temp (°F)
1	38

INTENDED USE OF DISPLAY AREAS

Zone	Intended Use
1	Packaged / unpackaged refrigerated products