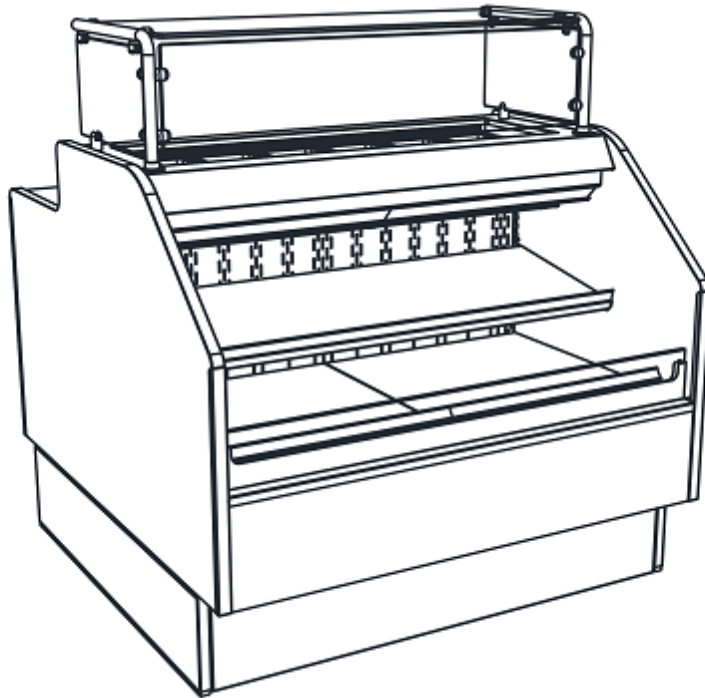


# Sushi - Combination Prep/Ref Self-Service Case w/ Rear Storage - Remote DX w/ Danfoss Controller

## Models

GP441RR.5825.7716



Features	Standard	Options
<b>EXTERIOR COLOR</b>	<input type="checkbox"/> Laminated (Xanadu)	
<b>INTERIOR COLOR</b>	<input type="checkbox"/> Stainless steel	
<b>TRIM COLOR</b>	<input type="checkbox"/> Silver trim & sneeze guard posts	
<b>BASE SUPPORT</b>	<input type="checkbox"/> Rail system for shims	
<b>BUMPER END</b>	<input type="checkbox"/> None	<input type="checkbox"/> 1" bumper (black) (3 rows)
<b>BUMPER FRONT</b>	<input type="checkbox"/> 1" bumper (black)	
<b>END PANELS</b>	<input type="checkbox"/> Full with mirror	
<b>LOWER FRONT PANEL</b>	<input type="checkbox"/> Stainless steel	<input type="checkbox"/> Publix matte black
<b>REAR STORAGE</b>	<input type="checkbox"/> Refrigerated rear storage (w/doors)	
<b>REAR WORK SURFACE</b>	<input type="checkbox"/> White poly	
<b>UPPER FRONT PANEL</b>	<input type="checkbox"/> Laminated (Xanadu)	
<b>LOWER DISPLAY</b>	<input type="checkbox"/> Solid shelves, lighted (LED)	
<b>ELECTRICAL CONNECT</b>	<input type="checkbox"/> Leads	
<b>REFRIGERATION</b>	<input type="checkbox"/> Remote DX refrigeration w/ Danfoss controller	

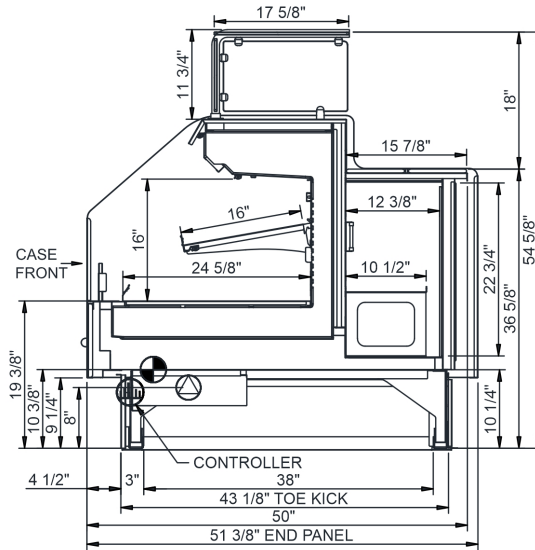
## Applications

- Combination Prep merchandiser for packaged / unpackaged refrigerated deli items

# Sushi Combination Prep/Ref Self-Service Case w/ Rear Storage - Remote DX w/ Danfoss Controller

Model	L x D x H (Lengths include end panels)
GP441RR.5825.7716	51"L x 51-3/8"D x 54-5/8"H

MODEL	w/ CONTROLLER
GP441RR.5825.6527	REMOTE DX w/ DIXELL XM679
GP441RR.5825.7716	REMOTE DX w/ DANFOSS
GP441RRC.5825.6527	REMOTE CO2 w/ DIXELL XM670
GP441RRC.5825-B.7716	REMOTE CO2 w/ DANFOSS-GREENWISE
MODEL	w/o CONTROLLER
GP441RR.5825	REMOTE DX
GP441RRG.5825	REMOTE GLYCOL



## IMPORTANT NOTES:

- 1) Units must be shimmed during installation to ensure unit is level and plumb.
- 2) Pans are not supplied with unit.

## WARNING

This product can expose you to chemicals including Urethane (Ethyl Carbamate), which are known to the State of California to cause cancer and birth defects or other reproductive harm. For more information go to [www.P65Warnings.ca.gov](http://www.P65Warnings.ca.gov).

## INTENDED ENVIRONMENT

Designed to operate in ambient conditions of 75°F with 55% relative humidity.

## WARMEST AVG PRODUCT TEMP

Zone	Temp (°F)
1	38

## INTENDED USE OF DISPLAY AREAS

Zone	Intended Use
1	Packaged / unpackaged refrigerated products