

Sushi - Combination Prep/Ref Self-Service Case w/ Rear Storage - Remote DX w/ Controller

DIMENSIONS / SHIPPING				
Model	L"	L1"	L2"	Est Wt (lbs)
GP441RR.5825.6527	N/A	51.000	5.500	980

ELECTRICAL																
Model	System Circuit Volts				Ph	Frq	Rated Load Amps	Min Cir Amps	Max OCP Amps	Watts	Wires	NEMA Plug	Amps Lights	Amps Fans	Amps Anti-Sweats	Amps Misc/Refrig/Heat
GP441RR.5825.6527	Remote(DX)	Circuit #1	110-120	1	60	1.86	15	15	120	2+G	Leads Single	0.70	0.60	0.56	N/A	

REFRIGERATION													
Model	Zone	Section	System	Envt	REMOTE REFRIGERATION					GLYCOL / R744 REFRIGERATION			
					SST (°F)	Conv. Rack BTUH	Para. Rack BTUH	Defrost Interval (Hrs)	Defrost Duration	Total GPM	Pressure Drop (psi)	Concent (%)	Liquid Temp (°F)
GP441RR.5825.6527	All	Main	Remote-DX	Type I	20	4,450	4,120	4.00	30.00	N/A	N/A	N/A	N/A

INTENDED ENVIRONMENT		
WARMEST AVERAGE PRODUCT TEMP & INTENDED USE OF ZONES		
Zone	Temp (°F)	Intended Use
1	38	Packaged / unpackaged refrigerated products

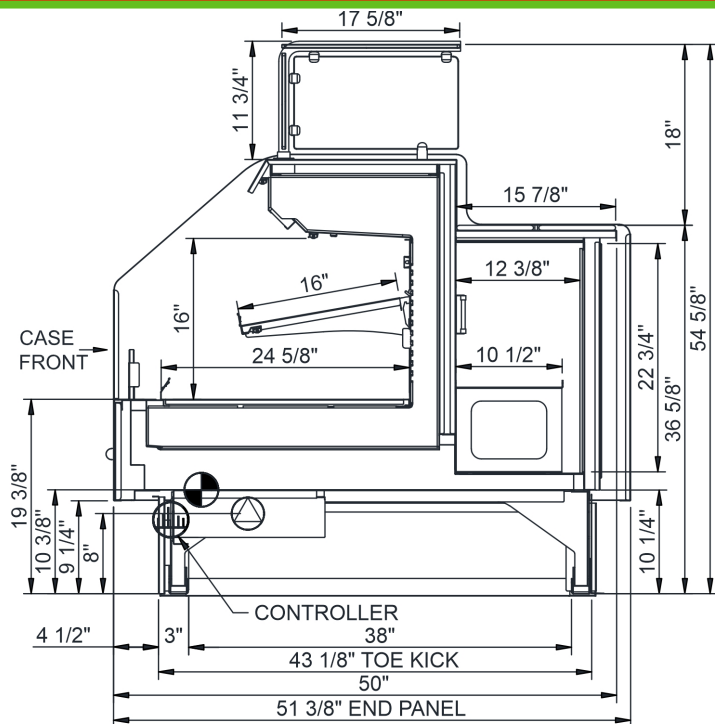
IMPORTANT NOTES
1) Units must be shimmed during installation to ensure unit is level and plumb.
2) Pans are not supplied with unit.

REGULATORY	
All Models	Accordance with AHRI Std 1200 ETL Listed to UL 471 ETL Listed to CAN/CSA 22.2 No. 120 ETL Sanitation to NSF/ANSI 7

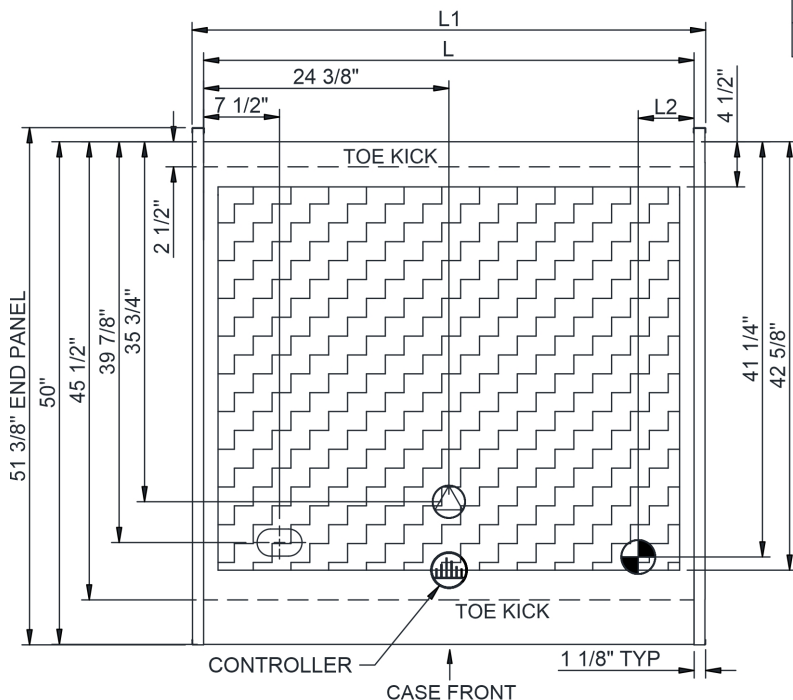


In Accordance with
AHRI Std 1200

Sushi - Combination Prep/Ref Self-Service Case w/ Rear Storage - Remote DX w/ Controller



MODEL	w/ CONTROLLER
GP441RR.5825.6527	REMOTE DX w/ DIXELL XM679
GP441RR.5825.7716	REMOTE DX w/ DANFOSS
GP441RRC.5825.6527	REMOTE CO2 w/ DIXELL XM670
GP441RRC.5825-B.7716	REMOTE CO2 w/ DANFOSS-GREENWISE
MODEL	w/o CONTROLLER
GP441RR.5825	REMOTE DX
GP441RRG.5825	REMOTE GLYCOL



NOTE: ALL DIMENSIONS APPROXIMATE

- ELECTRICAL JUNCTION BOX (SUPPLIED WITH 6" LEADS OR POWER CORD).
- LOCATION OF DRAIN TUBE FOR REMOTE REF. ONLY (SUPPLIED WITH 3/4" OR 1 1/2" PVC TUBE).

- REFRIGERATION LINE CONNECTION.
- REMOTE FLOOR SINK & UTILITIES ACCESS AREA.

- SELF-CONTAINED CASE SERVICE ACCESS AREA.
- DRY CASE SERVICE ACCESS AREA.