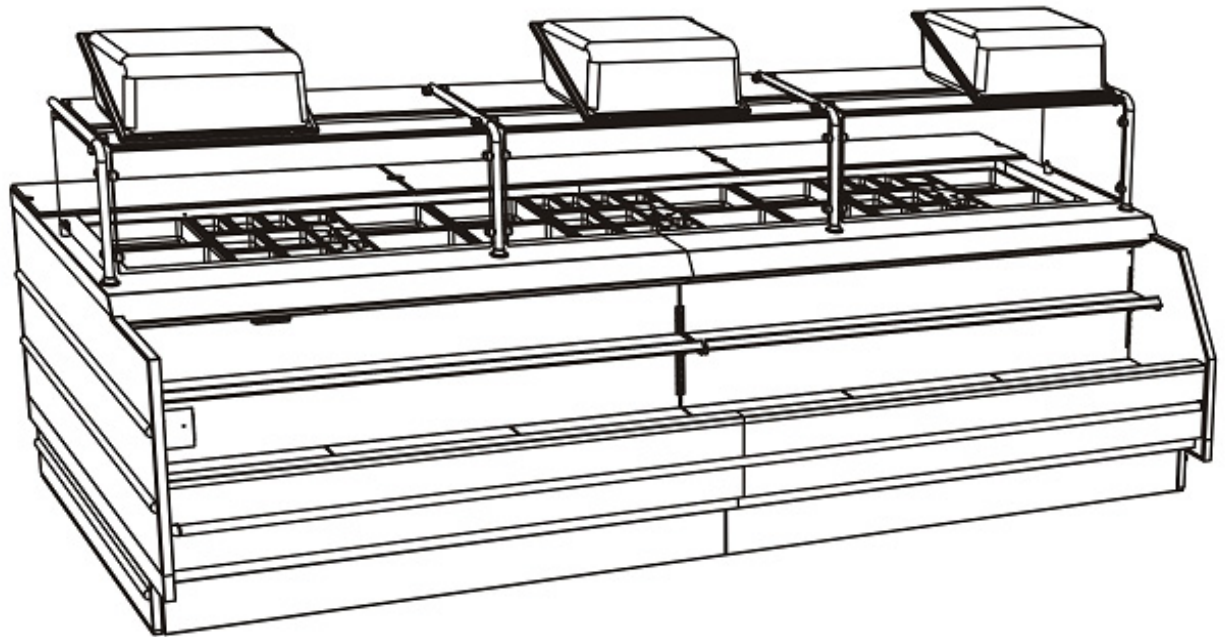


Salad/Sandwich Prep - GP Combination Preparation Case - 12ft - Remote Glycol - Laminated

Models

GP1235RRGLB.5718



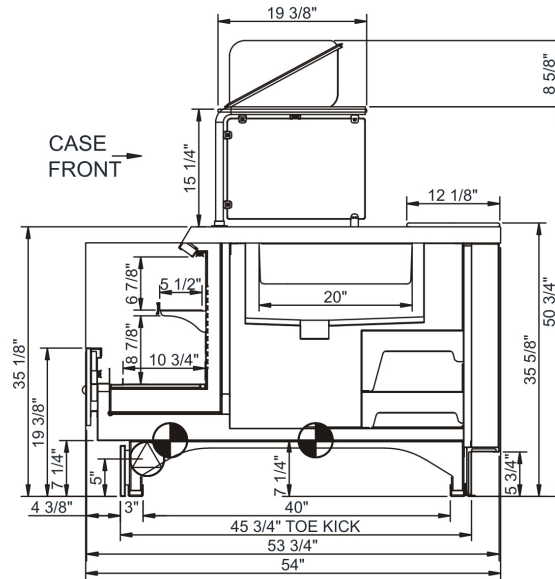
Features	Standard	Options
EXTERIOR COLOR	<input type="checkbox"/> Laminated (Xanadu)	
INTERIOR COLOR	<input type="checkbox"/> Stainless steel	
BASE SUPPORT	<input type="checkbox"/> Rail system for shims	
BUMPER END	<input type="checkbox"/> None	<input type="checkbox"/> 1" bumper (black) (3 rows)
BUMPER FRONT	<input type="checkbox"/> 1" bumper (black)	
END PANELS	<input type="checkbox"/> Full with mirror	
LOWER FRONT PANEL	<input type="checkbox"/> Publix matte black (4-3/8"D)	
REAR STORAGE	<input type="checkbox"/> Refrigerated rear storage w/drawers	
REAR WORK SURFACE	<input type="checkbox"/> White poly	
BINS	<input type="checkbox"/> Acrylic sub roll bin(s) w/o door(s)	
LOWER DISPLAY	<input type="checkbox"/> Solid shelf, non-lighted	
PANS	<input type="checkbox"/> Black pans, (12) 1/2 size, (12) 1/6 size, (9) 1/9 size, (11) Full size & (3) Dressing holders	
SNEEZE GUARD	<input type="checkbox"/> Clear sneeze guard glass w/ stainless steel posts	
LIGHTS	<input type="checkbox"/> LED sneeze guard, top & nose lights	
ELECTRICAL CONNECT	<input type="checkbox"/> Leads	
REFRIGERATION	<input type="checkbox"/> Remote Glycol refrigeration	

Applications

- Combination Prep merchandiser for packaged / unpackaged refrigerated deli items.
- Models used in Prepared Foods & Salad/Sandwich Prep

Salad/Sandwich Prep GP Combination Preparation Case - 12ft - Remote Glycol - Laminated

Model	L x D x H (Lengths include end panels)
GP1235RRGLB.5718	140-1/4"L x 54"D x 50-3/4"H



IMPORTANT NOTES:

1) Units must be shimmed during installation to ensure unit is level and plumb.

⚠️ WARNING

This product can expose you to chemicals including Urethane (Ethyl Carbamate), which are known to the State of California to cause cancer and birth defects or other reproductive harm. For more information go to www.P65Warnings.ca.gov.

INTENDED ENVIRONMENT

Designed to operate in ambient conditions of 75°F with 55% relative humidity.

WARMEST AVG PRODUCT TEMP

Zone	Temp (°F)
1	38

INTENDED USE OF DISPLAY AREAS

Zone	Intended Use
1	Packaged / unpackaged refrigerated products