

Fusion

GMGV 52"H Refrigerated Service Case

Structural Concepts®

DELIVERING FRESH. ALWAYS.™

(Lengths do not include 1-1/8" end panels)

- **GMGV4** 48-3/4"L x 43"D x 51-5/8"H
- **GMGV5** 60-5/8"L x 43"D x 51-5/8"H
- **GMGV6** 73-1/8"L x 43"D x 51-5/8"H
- **GMGV8** 97-1/2"L x 43"D x 51-5/8"H
- **GMGV12** 146-1/4"L x 43"D x 51-5/8"H

Included

- Gravity coil
- Integrated average product temperature of 40°F or less
- LED top light
- One year parts & labor; 5 year compressor warranty
- Stainless steel rear exterior
- Vertical, UV bonded lift-up front glass w/o lock



GMGV4

Specify	Standard Features	Additional Options
EXTERIOR COLOR	• Laminate (stock colors)	• Laminate (non-stock colors) • Powder coated (stock/non-stock colors) • Powder coated Silversan Black • Stainless steel
INTERIOR COLOR	• Stainless steel interior	
LOWER FRONT PANEL COLOR	• Powder coated Silversan Black	• Powder coated (stock/non-stock colors) • Stainless steel
BASE SUPPORT	¹ • Casters w/ levelers (self-cont.)	• Rail system for shims (remote)
BUMPER FRONT	• 1" Boston bumper (specify color)	• 1" Stainless steel plate rail bumper
DISPLAY	• Wire rack deck	• Ice pans, requires floor drain
END PANELS	• Full w/stainless steel mirror interior	• Cutaway w/glass • None (specify per line-up)
SCALE STAND	• None	¹ • Scale stand w/ receptacle & CAT5 (specify location) • Scale stand w/ receptacle (specify location)
REAR DOORS	• Clear glass rear sliding doors	• Reflective glass rear sliding doors
LIGHTS	• LED 4000K w/ frosted lens	
ELECTRICAL CONNECTION	² • 6' Straight blade power cord (self-cont.)	• 6' Locking power cord (self-cont.) • Electrical leads (remote)
REFRIGERATION	³ • Breeze self-contained refrigeration	• Remote DX refrigeration • Remote w/thermostat, solenoid & TXV
SENSOR	• None	• CPC discharge air sensor (remote)
MISCELLANEOUS		• Front glass lock • Rear door lock
ACCESSORIES		• Clean Sweep® coil cleaner (self-cont.) • Drain strainer • Rear wrapping board, white Sanalite®

Std Notes: 1 - N/A on 12ft
2 - N/A on 12ft
3 - N/A on 12ft

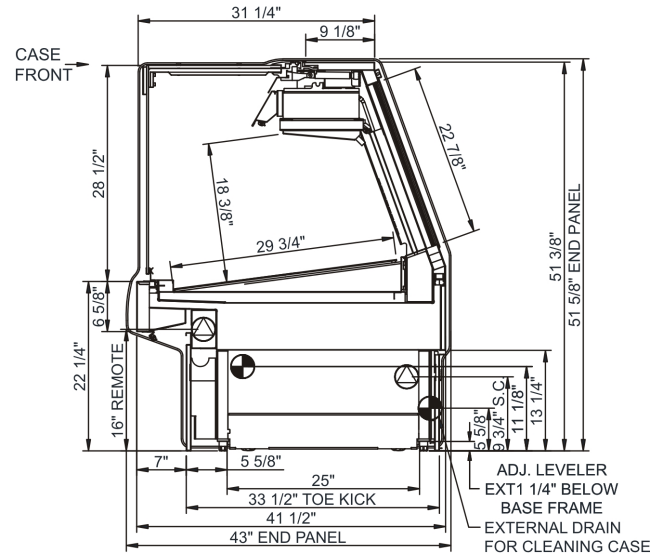
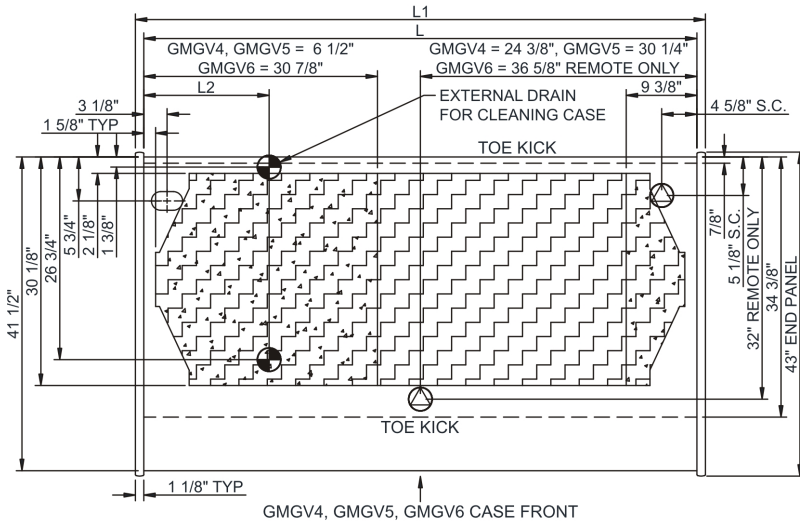
Option Notes: 1 - Separate circuit required

Intended Environment: Type I - Designed to operate in ambient conditions of 75°F with 55% relative humidity unless noted otherwise in system information below.

Zone	Intended Product To Be Displayed	Warmest Avg Prod Temp ° F
1	Unpackaged refrigerated products	38

PLAN VIEW

SIDE VIEW



NOTE: ALL DIMENSIONS APPROXIMATE

- ELECTRICAL JUNCTION BOX (SUPPLIED WITH 6" LEADS OR POWER CORD).
- LOCATION OF DRAIN TUBE FOR REMOTE REF. ONLY (SUPPLIED WITH 3/4" OR 1 1/2" PVC TUBE).

- REFRIGERATION LINE CONNECTION.
- REMOTE FLOOR SINK & UTILITIES ACCESS AREA.

- SELF-CONTAINED CASE SERVICE ACCESS AREA.
- DRY CASE SERVICE ACCESS AREA.

Model Technical Specifications																
Model	L"	L1"	L2"	System Circuit Volts			Phs	Freq	Amps ***	Watts	Wires	NEMA Plug	SST	Conv. Rack RTUH	Para. Rack RTUH	Est Wt
GMGV4	48.75	51.00	13.38	Remote Blower (DX)	Circuit #1	110-120	1	60	1.79	63	2+G	Leads Multiple	20.00	1274	1180	1,200
				Remote Gravity (DX)	Circuit #1	110-120	1	60	1.48	22	2+G	Leads Multiple	20.00	1274	1180	
				Self-Contained (R513A)	Circuit #1	110-120	1	60	10.12	758	2+G	5-20P or L5-20P	N/A	N/A	N/A	
				Self-Contained (R513A)	Circuit #1	110-120	1	60	10.43	785	2+G	5-20P or L5-20P	N/A	N/A	N/A	
GMGV5	60.63	62.88	13.38	Remote Blower (DX)	Circuit #1	110-120	1	60	1.79	68	2+G	Leads Multiple	20.00	1521	1408	1,300
				Remote Gravity (DX)	Circuit #1	110-120	1	60	1.48	25	2+G	Leads Multiple	20.00	1521	1408	
				Self-Contained (R513A)	Circuit #1	110-120	1	60	10.23	792	2+G	5-20P or L5-20P	N/A	N/A	N/A	
				Self-Contained (R513A)	Circuit #1	110-120	1	60	9.92	764	2+G	5-20P or L5-20P	N/A	N/A	N/A	
GMGV6	73.13	75.38	16.63	Remote Blower (DX)	Circuit #1	110-120	1	60	2.10	108	2+G	Leads Multiple	20.00	1793	1660	1,400
				Remote Gravity (DX)	Circuit #1	110-120	1	60	1.48	47	2+G	Leads Multiple	20.00	1793	1660	
				Self-Contained (R513A)	Circuit #1	110-120	1	60	9.92	753	2+G	5-20P or L5-20P	N/A	N/A	N/A	
				Self-Contained (R513A)	Circuit #1	110-120	1	60	10.23	791	2+G	5-20P or L5-20P	N/A	N/A	N/A	
GMGV8	97.50	99.75	35.63	Remote Blower (DX)	Circuit #1	110-120	1	60	3.42	156	2+G	Leads Multiple	20.00	2333	2160	1,500
				Remote Blower (DX)	Circuit #1	110-120	1	60	1.40	42	2+G	Leads Multiple	20.00	2333	2160	
				Remote Blower (R744 TRAF)	Circuit #1	110-120	1	60	2.72	114	2+G	Leads Multiple		2333	2160	
				Self-Contained (R513A)	Circuit #1	110-120	1	60	16.00	1,071	2+G	5-20P or L5-20P	N/A	N/A	N/A	
				Self-Contained (R513A)	Circuit #1	110-120	1	60	11.46	562	2+G	5-20P or L5-20P	N/A	N/A	N/A	
GMGV12	146.25	148.50	57.88	Remote Blower (DX)	Circuit #1	110-120	1	60	4.43	268	2+G	Leads Multiple	20.00	3828	3544	2,100
				Remote Blower (R744 TRAF)	Circuit #1	110-120	1	60	3.73	171	2+G	Leads Multiple		3828	3544	
				Remote Gravity (DX)	Circuit #1	110-120	1	60	1.40	21	2+G	Leads Multiple	20.00	3828	3544	

*** Does not include electric defrost on freezer models.

Regulatory Approvals:

All Models
 Accordance with AHRI Std 1200
 ETL Listed to UL 471
 ETL Listed to CAN/CSA 22.2 No. 120
 ETL Sanitation to NSF/ANSI 7

Important Notes:

- 1) ELECTRICAL NOTE: If GFCI is required, a GFCI breaker MUST be used in lieu of a GFCI receptacle.
- 2) 45" minimum door entry clearance required (without shipping skid).
- 3) Units must be shimmed during installation to ensure the unit is level and plumb.

⚠ WARNING: This product can expose you to chemicals, including Urethane (Ethyl Carbamate), which are known to the State of California to cause cancer and birth defects or other reproductive harm. For more information go to www.P65Warnings.ca.gov.



In Accordance with
AHRI Std 1200

DOE 2017
Energy Efficiency
Compliant