

Technical Information

Fusion - GMDS 52"H Refrigerated Service Case

Structural Concepts®

DELIVERING FRESH. ALWAYS.™

DIMENSIONS / SHIPPING

Model	L"	L1"	L2"	Est Wt (lbs)
GMDS4R	48.750	51.000	3.500	N/A
GMDS5R	60.625	62.875	3.500	N/A
GMDS6R	73.125	75.375	3.500	N/A
GMDS8R	97.500	99.750	9.000	N/A
GMDS12R	146.250	148.500	45.125	N/A

ELECTRICAL

Model	System Circuit Volts				Ph	Frq	Rated Load Amps	Min Cir Amps	Max OCP Amps	Watts	Wires	NEMA Plug	Amps Lights	Amps Fans	Amps Anti-Sweats	Amps Misc/Refrig/Heat
	Remote (DX)	Remote (GLYCOL)	Self-Contained (R513A)	Circuit #1												
GMDS4R	Remote (DX)	Circuit #1	110-120	1	60	2.27	15	15	234	2+G	Leads Multiple	1.27	0.30	0.70	N/A	
	Remote (GLYCOL)	Circuit #1	110-120	1	60	2.27	15	15	234	2+G	Leads Multiple	1.27	0.30	0.70	N/A	
	Self-Contained (R513A)	Circuit #1	110-120	1	60	10.22	15	15	779	2+G	5-15P or L5-15P	0.70	0.86	4.66	4.00	
GMDS5R	Remote (DX)	Circuit #1	110-120	1	60	2.98	15	15	288	2+G	Leads Multiple	1.68	0.60	0.70	N/A	
	Remote (GLYCOL)	Circuit #1	110-120	1	60	2.98	15	15	288	2+G	Leads Multiple	1.68	0.60	0.70	N/A	
	Self-Contained (R513A)	Circuit #1	110-120	1	60	12.00	15	15	1,031	2+G	5-15P or L5-15P	0.70	1.16	4.66	6.20	
GMDS6R	Remote (DX)	Circuit #1	110-120	1	60	3.35	15	15	338	2+G	Leads Multiple	2.05	0.60	0.70	N/A	
	Remote (GLYCOL)	Circuit #1	110-120	1	60	3.35	15	15	338	2+G	Leads Multiple	2.05	0.60	0.70	N/A	
	Self-Contained (R513A)	Circuit #1	110-120	1	60	14.82	20	20	1,071	2+G	5-20P or L5-20P	0.70	1.36	4.66	8.10	
GMDS8R	Remote (DX)	Circuit #1	110-120	1	60	3.84	15	15	408	2+G	Leads Multiple	2.54	0.60	0.70	N/A	
	Remote (GLYCOL)	Circuit #1	110-120	1	60	3.84	15	15	408	2+G	Leads Multiple	2.54	0.60	0.70	N/A	
	Remote (R744 T)	Circuit #1	110-120	1	60	3.84	15	15	408	2+G	Leads Multiple	2.54	0.60	0.70	N/A	
	Self-Contained (R449A)	Circuit #1	110-120	1	60	16.00	20	20	1,360	2+G	5-20P or L5-20P	1.40	1.92	5.36	7.50	
GMDS12R	Remote (DX)	Circuit #1	110-120	1	60	5.10	15	15	137	2+G	Leads Multiple	2.80	0.90	1.40	N/A	
	Remote (GLYCOL)	Circuit #1	110-120	1	60	5.10	15	15	137	2+G	Leads Multiple	2.80	0.90	1.40	N/A	
	Remote (R744 T)	Circuit #1	110-120	1	60	5.10	15	15	137	2+G	Leads Multiple	2.80	0.90	1.40	N/A	
	Self-Contained (R449A)	Circuit #1	110-120	1	60	21.68	30	30	1,842	2+G	5-30P or L5-30P	3.50	2.32	5.36	10.50	

REFRIGERATION

Model	Zone	Section	System	Envt	REMOTE REFRIGERATION					GLYCOL / R744 REFRIGERATION			
					SST (°F)	Conv. Rack BTUH	Para. Rack BTUH	Defrost Interval (Hrs)	Defrost Duration	Total GPM	Pressure Drop (psi)	Concent (%)	Liquid Temp (°F)
GMDS4R	All	Main	Remote-DX	Type I	20	1,296	1,200	4.00	30.00	N/A	N/A	N/A	N/A
	All	Main	Remote-Glycol	Type I	N/A	1,296	1,200	4.00	30.00	0.35	1.37	35%	20.00
	All	Main	Self-Contained-R513A	Type I	N/A	N/A	N/A	N/A	N/A	N/A	N/A	N/A	N/A
GMDS5R	All	Main	Remote-DX	Type I	20	1,728	1,600	4.00	30.00	N/A	N/A	N/A	N/A
	All	Main	Remote-Glycol	Type I	N/A	1,728	1,600	4.00	45.00	0.50	1.00	35%	20.00
	All	Main	Self-Contained-R513A	Type I	N/A	N/A	N/A	N/A	N/A	N/A	N/A	N/A	N/A
GMDS6R	All	Main	Remote-DX	Type I	20	2,030	1,880	4.00	30.00	N/A	N/A	N/A	N/A
	All	Main	Remote-Glycol	Type I	N/A	2,030	1,880	4.00	30.00	0.45	2.40	35%	20.00
	All	Main	Self-Contained-R513A	Type I	N/A	N/A	N/A	N/A	N/A	N/A	N/A	N/A	N/A
GMDS8R	All	Main	Remote-DX	Type I	20	2,722	2,520	4.00	30.00	N/A	N/A	N/A	N/A
	All	Main	Remote-Glycol	Type I	N/A	2,722	2,520	4.00	45.00	0.60	1.42	35%	20.00
	All	Main	Self-Contained-R449A	Type I	N/A	N/A	N/A	N/A	N/A	N/A	N/A	N/A	N/A
	All	Main	Remote-R744 TRANSCRITICAL	Type I	20	2,722	2,520	4.00	30.00	N/A	N/A	N/A	N/A
GMDS12R	All	Main	Remote-DX	Type I	20	3,672	3,400	4.00	30.00	N/A	N/A	N/A	N/A
	All	Main	Remote-Glycol	Type I	N/A	3,672	3,400	4.00	45.00	1.05	1.78	35%	20.00
	All	Main	Self-Contained-R449A	Type I	N/A	N/A	N/A	N/A	N/A	N/A	N/A	N/A	N/A
	All	Main	Remote-R744 TRANSCRITICAL	Type I	20	3,672	3,400	4.00	30.00	N/A	N/A	N/A	N/A

INTENDED ENVIRONMENT

Type I - Designed to operate in ambient conditions of 75°F with 55% relative humidity unless noted otherwise under Envt above.

WARMEST AVERAGE PRODUCT TEMP & INTENDED USE OF ZONES

Zone	Temp (°F)	Intended Use
1	40	Unpackaged refrigerated products

IMPORTANT NOTES

- 1) ELECTRICAL NOTE: If GFCI is required, a GFCI breaker MUST be used in lieu of a GFCI receptacle
- 2) 45" minimum door entry clearance required (without shipping skid).
- 3) Units must be shimmed during installation to ensure the unit is level and plumb.

Technical Information

Fusion - GMDS 52"H Refrigerated Service Case

Structural Concepts®

DELIVERING FRESH. ALWAYS.™



REGULATORY

All Models	Accordance with AHRI Std 1200 ETL Listed to UL 471 ETL Listed to CAN/CSA 22.2 No. 120 ETL Sanitation to NSF/ANSI 7
------------	---



In Accordance with
AHRI Std 1200

NOTE: ALL DIMENSIONS APPROXIMATE

 ELECTRICAL JUNCTION BOX
(SUPPLIED WITH 6" LEADS OR POWER CORD).
 LOCATION OF DRAIN TUBE FOR REMOTE REF.
ONLY (SUPPLIED WITH 3/4" OR 1 1/2" PVC TUBE).

 REFRIGERATION LINE CONNECTION.
 REMOTE FLOOR SINK & UTILITIES
ACCESS AREA.

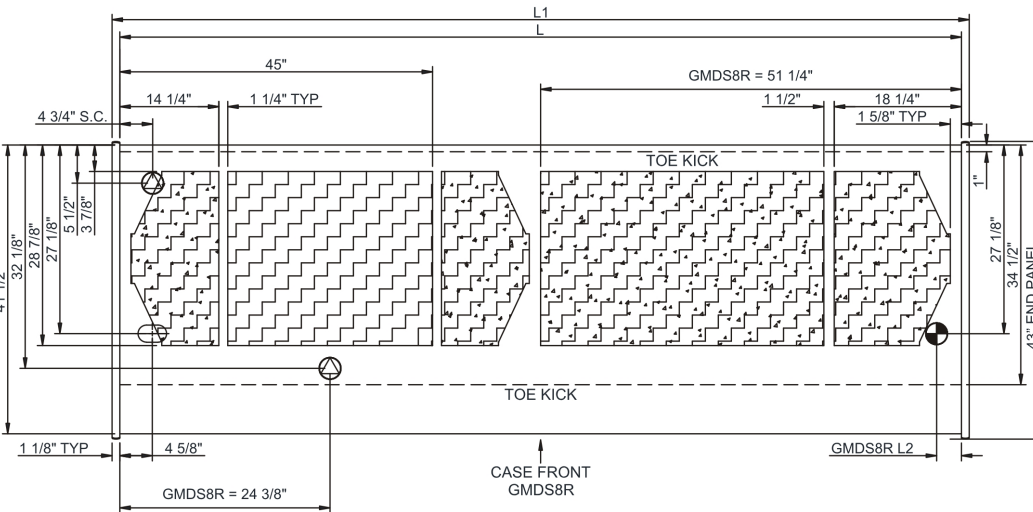
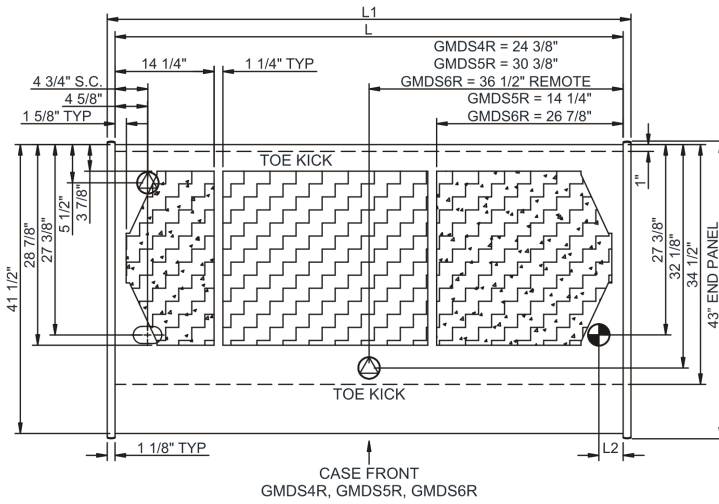
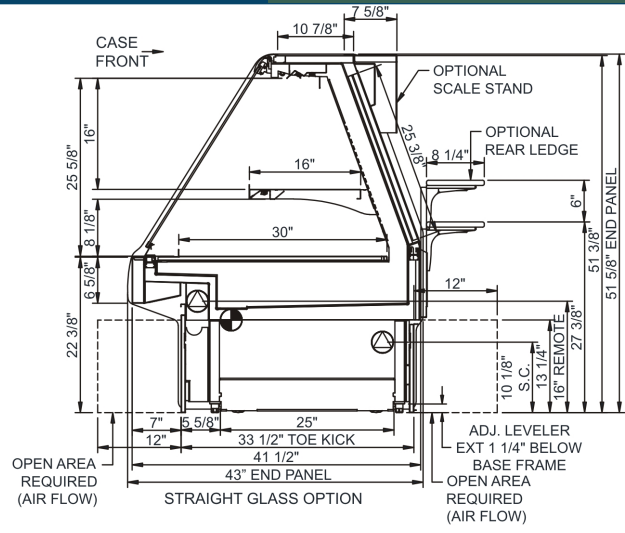
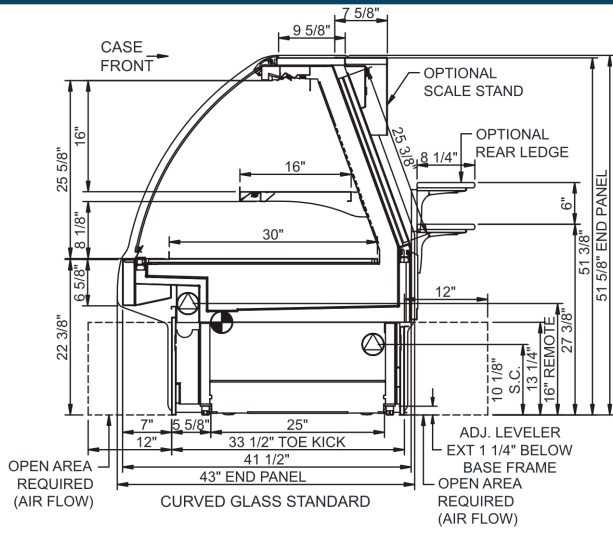
 SELF-CONTAINED CASE SERVICE ACCESS AREA.
 DRY CASE SERVICE ACCESS AREA.

Technical Information

Fusion - GMDS 52"H Refrigerated Service Case

Structural Concepts®

DELIVERING FRESH. ALWAYS.™



NOTE: ALL DIMENSIONS APPROXIMATE

-  ELECTRICAL JUNCTION BOX (SUPPLIED WITH 6" LEADS OR POWER CORD).
-  REFRIGERATION LINE CONNECTION.
-  SELF-CONTAINED CASE SERVICE ACCESS AREA.
-  LOCATION OF DRAIN TUBE FOR REMOTE REF. ONLY (SUPPLIED WITH 3/4" OR 1 1/2" PVC TUBE).
-  REMOTE FLOOR SINK & UTILITIES ACCESS AREA.
-  DRY CASE SERVICE ACCESS AREA.