

Technical Information

Fusion - GMBS 52"H Refrigerated Service Case

Structural Concepts®

DELIVERING FRESH. ALWAYS.™

DIMENSIONS / SHIPPING				
Model	L"	L1"	L2"	Est Wt (lbs)
GMBS452R	48.750	51.000	3.500	N/A
GMBS552R	60.625	62.875	3.500	N/A
GMBS652R	73.125	75.375	3.500	N/A
GMBS852R	97.500	99.750	3.500	N/A
GMBS1052R	121.125	123.375	80.500	N/A
GMBS1252R	146.250	148.500	45.125	N/A

ELECTRICAL															
Model	System Circuit Volts			Ph	Frq	Rated Load Amps	Min Cir Amps	Max OCP Amps	Watts	Wires	NEMA Plug	Amps Lights	Amps Fans	Amps Anti-Sweats	Amps Misc/Refrig/Heat
GMBS452R	Remote (DX)	Circuit #1	110-120	1	60	1.74	15	15	170	2+G	Leads Multiple	0.74	0.30	0.70	N/A
	Remote (GLYCOL)	Circuit #1	110-120	1	60	1.74	15	15	170	2+G	Leads Multiple	0.74	0.30	0.70	N/A
	Self-Contained (R513A)	Circuit #1	110-120	1	60	10.23	15	15	791	2+G	5-15P or L5-15P	0.70	0.87	4.66	4.00
GMBS552R	Remote (DX)	Circuit #1	110-120	1	60	2.29	15	15	208	2+G	Leads Multiple	0.99	0.60	0.70	N/A
	Remote (GLYCOL)	Circuit #1	110-120	1	60	2.29	15	15	208	2+G	Leads Multiple	0.99	0.60	0.70	N/A
	Self-Contained (R513A)	Circuit #1	110-120	1	60	12.00	15	15	1,052	2+G	5-15P or L5-15P	0.70	1.18	4.66	6.20
GMBS652R	Remote (DX)	Circuit #1	110-120	1	60	2.42	15	15	238	2+G	Leads Multiple	1.12	0.60	0.70	N/A
	Remote (GLYCOL)	Circuit #1	110-120	1	60	2.42	15	15	238	2+G	Leads Multiple	1.12	0.60	0.70	N/A
	Self-Contained (R513A)	Circuit #1	110-120	1	60	14.64	20	20	1,063	2+G	5-20P or L5-20P	0.70	1.18	4.66	8.10
GMBS852R	Remote (DX)	Circuit #1	110-120	1	60	3.51	15	15	367	2+G	Leads Multiple	1.48	0.60	1.43	N/A
	Remote (GLYCOL)	Circuit #1	110-120	1	60	3.51	15	15	367	2+G	Leads Multiple	1.48	0.60	1.43	N/A
	Self-Contained (R449A)	Circuit #1	110-120	1	60	15.70	20	20	1,352	2+G	5-20P or L5-20P	1.40	1.74	5.36	7.20
GMBS1052R	Remote (DX)	Circuit #1	110-120	1	60	4.58	15	15	416	2+G	Leads Multiple	1.98	1.20	1.40	N/A
	Remote (GLYCOL)	Circuit #1	110-120	1	60	4.58	15	15	416	2+G	Leads Multiple	1.98	1.20	1.40	N/A
	Self-Contained (R449A)	Circuit #1	110-120	1	60	16.00	20	20	1,509	2+G	5-20P or L5-20P	1.40	2.36	5.36	7.10
GMBS1252R	Remote (DX)	Circuit #1	110-120	1	60	4.52	15	15	450	2+G	Leads Multiple	2.22	0.90	1.40	N/A
	Remote (GLYCOL)	Circuit #1	110-120	1	60	4.52	15	15	450	2+G	Leads Multiple	2.22	0.90	1.40	N/A
	Self-Contained (R449A)	Circuit #1	110-120	1	60	16.00	20	20	1,504	2+G	5-20P or L5-20P	2.10	2.05	5.36	7.10

REFRIGERATION													
Model	Zone	Section	System	Envt	REMOTE REFRIGERATION					GLYCOL / R744 REFRIGERATION			
					SST (°F)	Conv. Rack BTUH	Para. Rack BTUH	Defrost Interval (Hrs)	Defrost Duration	Total GPM	Pressure Drop (psi)	Concent (%)	Liquid Temp (°F)
GMBS452R	All	Main	Remote-DX	Type I	20	1,339	1,240	4.00	30.00	N/A	N/A	N/A	N/A
	All	Main	Remote-Glycol	Type I	N/A	1,339	1,240	4.00	45.00	0.35	1.50	35%	20.00
	All	Main	Self-Contained-R513A	Type I	N/A	N/A	N/A	N/A	N/A	N/A	N/A	N/A	N/A
GMBS552R	All	Main	Remote-DX	Type I	20	1,685	1,560	4.00	30.00	N/A	N/A	N/A	N/A
	All	Main	Remote-Glycol	Type I	N/A	1,685	1,560	4.00	45.00	1.00	5.00	35%	20.00
	All	Main	Self-Contained-R513A	Type I	N/A	N/A	N/A	N/A	N/A	N/A	N/A	N/A	N/A
GMBS652R	All	Main	Remote-DX	Type I	20	2,030	1,880	4.00	30.00	N/A	N/A	N/A	N/A
	All	Main	Remote-Glycol	Type I	N/A	0	0	4.00	30.00	0.45	2.40	35%	20.00
	All	Main	Self-Contained-R513A	Type I	N/A	N/A	N/A	N/A	N/A	N/A	N/A	N/A	N/A
GMBS852R	All	Main	Remote-DX	Type I	20	2,722	2,520	4.00	30.00	N/A	N/A	N/A	N/A
	All	Main	Remote-Glycol	Type I	N/A	2,722	2,520	4.00	25.00	0.35	1.37	35%	20.00
	All	Main	Self-Contained-R449A	Type I	N/A	N/A	N/A	N/A	N/A	N/A	N/A	N/A	N/A
GMBS1052R	All	Main	Remote-DX	Type I	20	2,938	2,720	4.00	30.00	N/A	N/A	N/A	N/A
	All	Main	Remote-Glycol	Type I	N/A	2,938	2,720	4.00	25.00	2.00	3.75	35%	20.00
	All	Main	Self-Contained-R449A	Type I	N/A	N/A	N/A	N/A	N/A	N/A	N/A	N/A	N/A
GMBS1252R	All	Main	Remote-DX	Type I	20	3,672	3,400	4.00	30.00	N/A	N/A	N/A	N/A
	All	Main	Remote-Glycol	Type I	N/A	3,672	3,400	4.00	25.00	0.35	1.40	35%	20.00
	All	Main	Self-Contained-R449A	Type I	N/A	N/A	N/A	N/A	N/A	N/A	N/A	N/A	N/A

INTENDED ENVIRONMENT		
Type I - Designed to operate in ambient conditions of 75°F with 55% relative humidity unless noted otherwise under Envt above.		
WARMEST AVERAGE PRODUCT TEMP & INTENDED USE OF ZONES		
Zone	Temp (°F)	Intended Use
1	40	Unpackaged refrigerated products

IMPORTANT NOTES
1) ELECTRICAL NOTE: If GFCI is required, a GFCI breaker MUST be used in lieu of a GFCI receptacle.
2) 45" minimum door entry clearance required (without shipping skid).
3) Units must be shimmed during installation to ensure the unit is level and plumb.

Technical Information

Fusion - GMBS 52"H Refrigerated Service Case

Structural Concepts®

DELIVERING FRESH. ALWAYS.™



REGULATORY

All Models	Accordance with AHRI Std 1200 ETL Listed to UL 471 ETL Listed to CAN/CSA 22.2 No. 120 ETL Sanitation to NSF/ANSI 7
------------	---



In Accordance with
AHRI Std 1200

NOTE: ALL DIMENSIONS APPROXIMATE

 ELECTRICAL JUNCTION BOX
(SUPPLIED WITH 6" LEADS OR POWER CORD).
 LOCATION OF DRAIN TUBE FOR REMOTE REF.
ONLY (SUPPLIED WITH 3/4" OR 1 1/2" PVC TUBE).

 REFRIGERATION LINE CONNECTION.
 REMOTE FLOOR SINK & UTILITIES
ACCESS AREA.

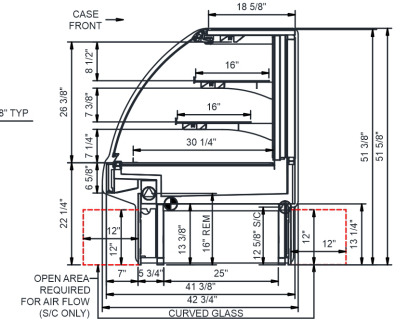
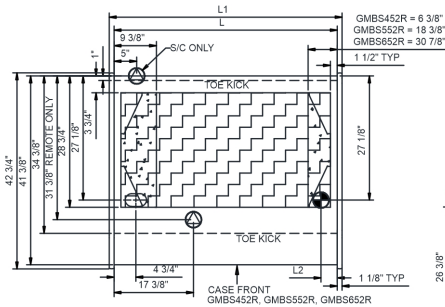
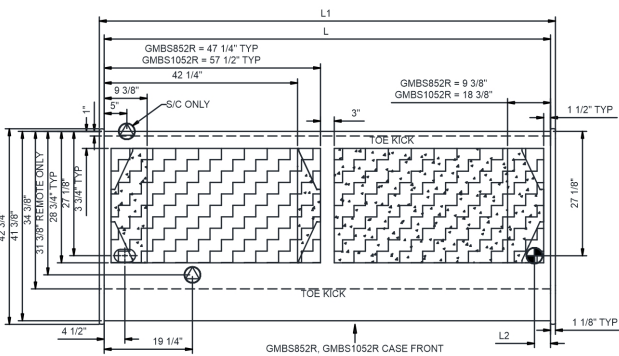
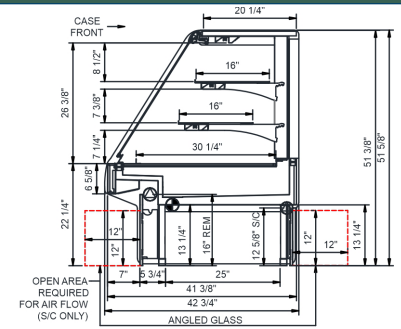
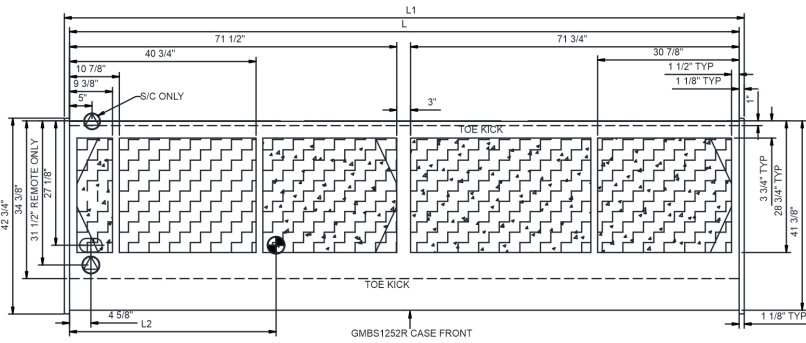
 SELF-CONTAINED CASE SERVICE ACCESS AREA.
 DRY CASE SERVICE ACCESS AREA.

Technical Information

Fusion - GMB5 52"H Refrigerated Service Case

Structural Concepts®

DELIVERING FRESH. ALWAYS.™



NOTE: ALL DIMENSIONS APPROXIMATE

-  ELECTRICAL JUNCTION BOX (SUPPLIED WITH 6" LEADS OR POWER CORD).
-  REFRIGERATION LINE CONNECTION.
-  SELF-CONTAINED CASE SERVICE ACCESS AREA.
-  LOCATION OF DRAIN TUBE FOR REMOTE REF. ONLY (SUPPLIED WITH 3/4" OR 1 1/2" PVC TUBE).
-  REMOTE FLOOR SINK & UTILITIES ACCESS AREA.
-  DRY CASE SERVICE ACCESS AREA.