

# Technical Information

Fusion - GMBS 52"H Dry Service Case

**DISCONTINUED**

**Structural Concepts®**

DELIVERING FRESH. ALWAYS.™

DIMENSIONS / SHIPPING				
Model	L"	L1"	L2"	Est Wt (lbs)
GMBS452D	48.750	51.000	0.000	800
GMBS552D	60.500	62.750	0.000	1,100
GMBS652D	73.125	75.375	0.000	1,320

ELECTRICAL															
Model	System Circuit Volts			Ph	Frq	Rated Load Amps	Min Cir Amps	Max OCP Amps	Watts	Wires	NEMA Plug	Amps Lights	Amps Fans	Amps Anti-Sweats	Amps Misc/Refrig/Heat
GMBS452D	Ambient/Lights (N/A)	Circuit #1	110-120	1	60	0.70	15	15	33	2+G	Leads Single	N/A	N/A	N/A	0.70
GMBS552D	Ambient/Lights (N/A)	Circuit #1	110-120	1	60	0.99	15	15	120	2+G	5-15P or L5-15P	0.99	N/A	N/A	N/A
GMBS652D	Ambient/Lights (N/A)	Circuit #1	110-120	1	60	0.70	20	20	50	2+G	5-20P	0.70	N/A	N/A	N/A

REFRIGERATION														
Model	Zone	Section	System	Envt	REMOTE REFRIGERATION					GLYCOL / R744 REFRIGERATION				
					SST (°F)	Conv. Rack BTUH	Para. Rack BTUH	Defrost Interval (Hrs)	Defrost Duration	Total GPM	Pressure Drop (psi)	Concent (%)	Liquid Temp (°F)	
GMBS452D	All	Ambient	Ambient/Lights-N/A	Type I	N/A	N/A	N/A	N/A	N/A	N/A	N/A	N/A	N/A	N/A
GMBS552D	All	Ambient	Ambient/Lights-N/A	Type I	N/A	N/A	N/A	N/A	N/A	N/A	N/A	N/A	N/A	N/A
GMBS652D	All	Ambient	Ambient/Lights-N/A	Type I	N/A	N/A	N/A	N/A	N/A	N/A	N/A	N/A	N/A	N/A

INTENDED ENVIRONMENT	
Type I - Designed to operate in ambient conditions of 75°F with 55% relative humidity unless noted otherwise under Envt above.	
WARMEST AVERAGE PRODUCT TEMP & INTENDED USE OF ZONES	
Zone	Temp (°F)
1	Ambient
Intended Use	
Unpackaged non-refrigerated products	

IMPORTANT NOTES
1) ELECTRICAL NOTE: If GFCI is required, a GFCI breaker MUST be used in lieu of a GFCI receptacle.
2) 45" minimum door entry clearance required (without shipping skid).
3) Units must be shimmed during installation to ensure the unit is level and plumb.

REGULATORY	
All Models	ETL Listed to UL 65 ETL Sanitation to NSF/ANSI 2

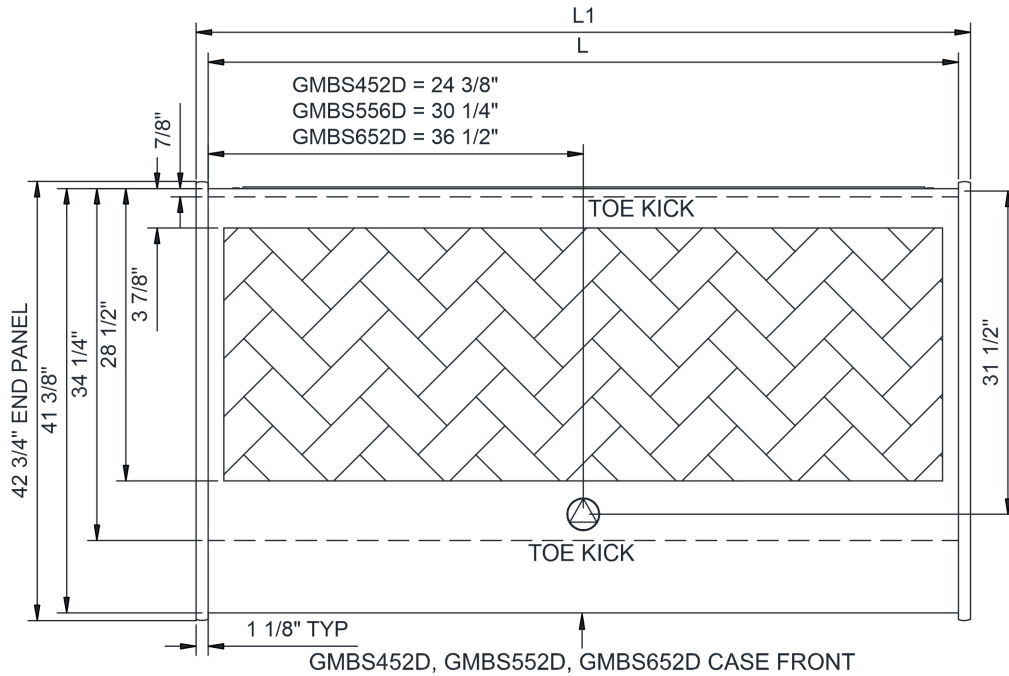
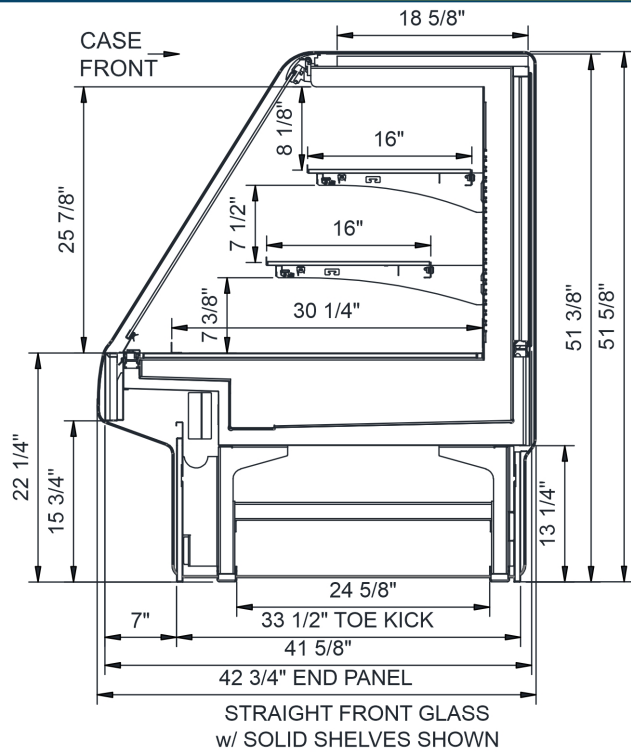
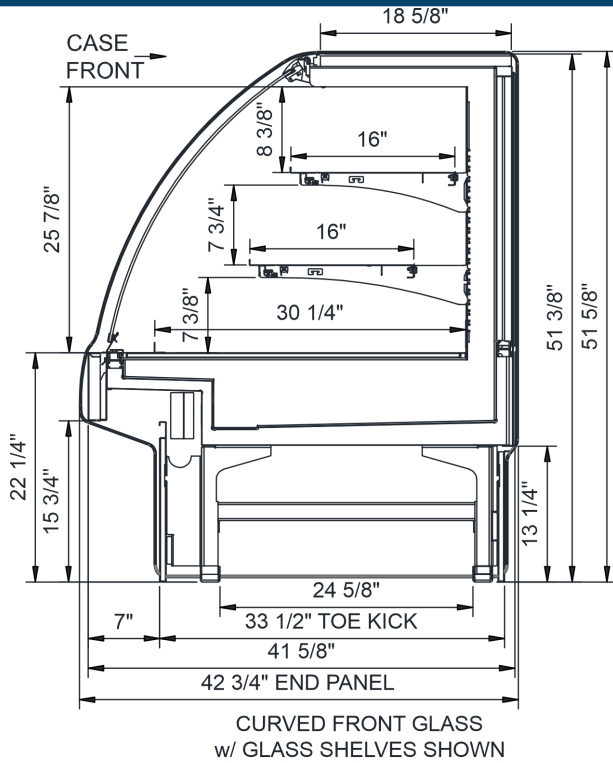


# Technical Information

Fusion - GMBS 52"H Dry Service Case

Structural Concepts®

DELIVERING FRESH. ALWAYS.™



NOTE: ALL DIMENSIONS APPROXIMATE

-  ELECTRICAL JUNCTION BOX (SUPPLIED WITH 6" LEADS OR POWER CORD).
-  REFRIGERATION LINE CONNECTION.
-  SELF-CONTAINED CASE SERVICE ACCESS AREA.
-  LOCATION OF DRAIN TUBE FOR REMOTE REF. ONLY (SUPPLIED WITH 3/4" OR 1 1/2" PVC TUBE).
-  REMOTE FLOOR SINK & UTILITIES ACCESS AREA.
-  DRY CASE SERVICE ACCESS AREA.