

# Cheese - GLDSS 43"H Refrigerated Low-Capacity Self-Service Case - Remote Glycol

## Models

GLDSS443RG.5741  
 GLDSS543RG.5741  
 GLDSS643RG.5741

GLDSSX443RG.5741  
 GLDSSX243RG.5741  
 GLDSSX180RG.5741



NOTE: ALL MODELS SHOWN IN LINE-UP

Features	Standard	Options
EXTERIOR COLOR	<input type="checkbox"/> Cherry veneer	
INTERIOR COLOR	<input type="checkbox"/> Black	
BASE	<input type="checkbox"/> 43"H refrigerated base	
BASE SUPPORT	<input type="checkbox"/> Rail system for shims	
BUMPER END	<input type="checkbox"/> None	<input type="checkbox"/> 1" bumper (black) (3 rows)
END PANELS	<input type="checkbox"/> None	<input type="checkbox"/> <sup>1</sup> Full end panel
LOWER FRONT PANEL	<input type="checkbox"/> Stainless steel	<input type="checkbox"/> Publix matte black
REAR LEDGE	<input type="checkbox"/> Kilauea Quartz	
TOP LIGHT	<input type="checkbox"/> LED top light	
ELECTRICAL CONNECT	<input type="checkbox"/> Leads	
REFRIGERATION	<input type="checkbox"/> Remote Glycol refrigeration	

Option Notes: 1 - N/A on model GLDSSX443RG.5741

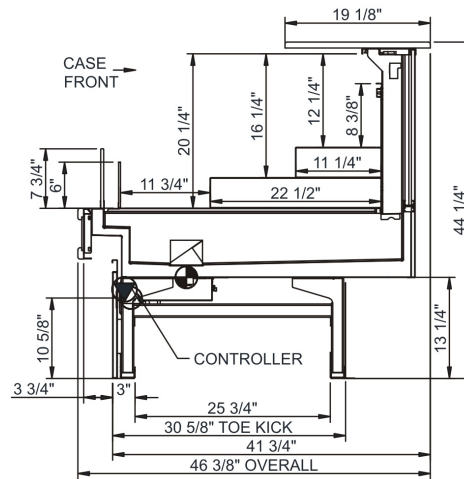
## Applications

- Low capacity self-service merchandiser for refrigerated deli items.

# Cheese GLDSS 43"H Refrigerated Low-Capacity Self-Service Case - Remote Glycol

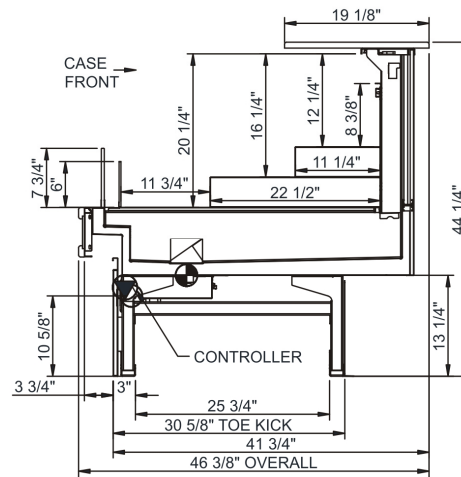
## STRAIGHT

Model	L x D x H (Lengths do not include 1-1/4" end panels)
GLDSS443RG.5741	48-3/4"L x 46-3/8"D x 44-1/4"H
GLDSS543RG.5741	60-1/2"L x 46-3/8"D x 44-1/4"H
GLDSS643RG.5741	73-1/8"L x 46-3/8"D x 44-1/4"H



## CONVEX / OUTSIDE CURVE

Model	L x D x H Lengths do not include end panels
GLDSSX443RG.5741	38-3/4"L x 46-3/8"D x 44-1/4"H
GLDSSX243RG.5741	47-5/8"L x 46-3/8"D x 44-1/4"H
GLDSSX180RG.5741	102-1/2"L x 46-3/8"D x 44-1/4"H



## IMPORTANT NOTES:

Units must be shimmed during installation to ensure the unit is level and plumb.

## WARNING

This product can expose you to chemicals including Urethane (Ethyl Carbamate), which are known to the State of California to cause cancer and birth defects or other reproductive harm. For more information go to [www.P65Warnings.ca.gov](http://www.P65Warnings.ca.gov).

## INTENDED ENVIRONMENT

Designed to operate in ambient conditions of 75°F with 55% relative humidity.

## WARMEST AVG PRODUCT TEMP

Zone	Temp (°F)
1	38

## INTENDED USE OF DISPLAY AREAS

Zone	Intended Use
1	Packaged refrigerated products

## Cheese - GLDSS 43"H Refrigerated Low-Capacity Self-Service Case - Remote Glycol

DIMENSIONS / SHIPPING				
Model	L"	L1"	L2"	Est Wt (lbs)
GLDSS443RG.5741	48.750	51.250	3.500	N/A
GLDSS543RG.5741	60.500	63.000	3.500	N/A
GLDSS643RG.5741	73.125	75.625	3.500	N/A
GLDSSX443RG.5741	38.750	N/A	4.250	N/A
GLDSSX243RG.5741	47.625	N/A	4.500	N/A
GLDSSX180RG.5741	102.500	N/A	4.500	N/A

ELECTRICAL															
Model	System Circuit Volts		Ph	Frq	Rated Load Amps	Min Cir Amps	Max OCP Amps	Watts	Wires	NEMA Plug	Amps Lights	Amps Fans	Amps Anti-Sweats	Amps Misc/Refrig/Heat	
GLDSS443RG.5741	Remote(GLYCOL)	Circuit #1	110-120	1	60	1.18	15	15	48	2+G	Leads Multiple	0.70	0.30	0.18	N/A
GLDSS543RG.5741	Remote(GLYCOL)	Circuit #1	110-120	1	60	1.41	15	15	57	2+G	Leads Multiple	0.70	0.60	0.11	N/A
GLDSS643RG.5741	Remote(GLYCOL)	Circuit #1	110-120	1	60	1.58	15	15	83	2+G	Leads Multiple	0.70	0.62	0.26	N/A
GLDSSX443RG.5741	Remote(GLYCOL)	Circuit #1	110-120	1	60	1.04	15	15	26	2+G	Leads Multiple	0.70	0.30	0.04	N/A
GLDSSX243RG.5741	Remote(GLYCOL)	Circuit #1	110-120	1	60	1.12	15	15	36	2+G	Leads Multiple	0.70	0.30	0.12	N/A
GLDSSX180RG.5741	Remote(GLYCOL)	Circuit #1	110-120	1	60	2.06	15	15	81	2+G	Leads Multiple	0.70	1.20	0.16	N/A

REFRIGERATION													
Model	Zone	Section	System	Envt	REMOTE REFRIGERATION				GLYCOL / R744 REFRIGERATION				
					SST (°F)	Conv. Rack BTUH	Para. Rack BTUH	Defrost Interval (Hrs)	Defrost Duration (Mins)	Total GPM	Pressure Drop (psi)	Concent (%)	Liquid Temp (°F)
GLDSS443RG.5741	All	Main	Remote-Glycol	Type I	N/A	3,197	2,960	4.00	45.00	2.50	3.90	35%	20.00
GLDSS543RG.5741	All	Main	Remote-Glycol	Type I	N/A	4,061	3,760	4.00	45.00	1.80	3.50	35%	20.00
GLDSS643RG.5741	All	Main	Remote-Glycol	Type I	N/A	3,456	3,200	4.00	45.00	2.00	3.90	35%	20.00
GLDSSX443RG.5741	All	Main	Remote-Glycol	Type I	N/A	1,469	1,360	4.00	45.00	0.80	0.40	35%	20.00
GLDSSX243RG.5741	All	Main	Remote-Glycol	Type I	N/A	2,527	2,340	4.00	45.00	1.50	1.30	35%	20.00
GLDSSX180RG.5741	All	Main	Remote-Glycol	Type I	N/A	5,875	5,440	4.00	45.00	3.20	0.40	35%	20.00

INTENDED ENVIRONMENT		
Type I - Designed to operate in ambient conditions of 75°F with 55% relative humidity unless noted otherwise under Envt above.		
WARMEST AVERAGE PRODUCT TEMP & INTENDED USE OF ZONES		
Zone	Temp (°F)	Intended Use
1	38	Packaged refrigerated products

IMPORTANT NOTES
Units must be shimmed during installation to ensure the unit is level and plumb.

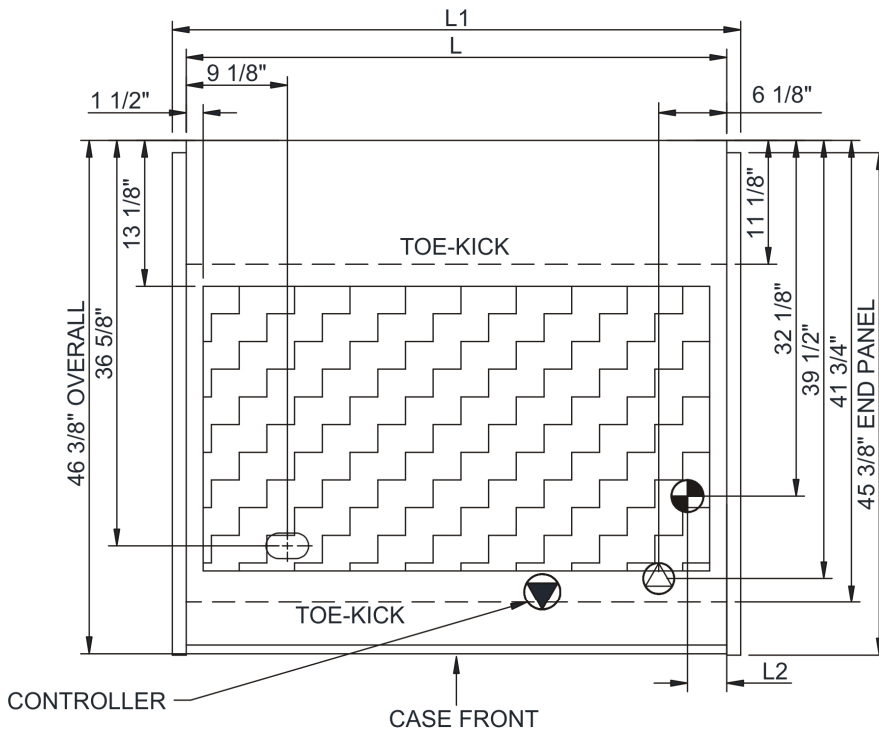
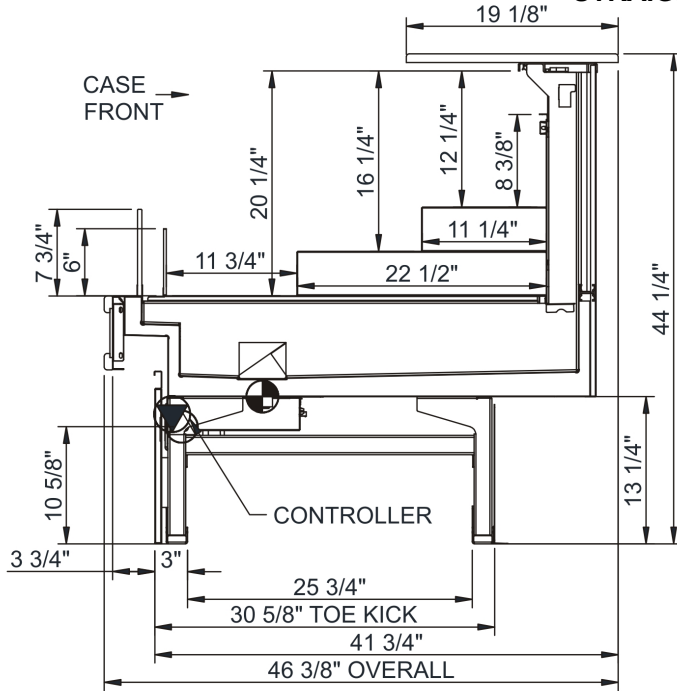
REGULATORY	
All Models	Accordance with AHRI Std 1200 ETL Listed to UL 471 ETL Listed to CAN/CSA 22.2 No. 120 ETL Sanitation to NSF 7



In Accordance with  
**AHRI Std 1200**

## Cheese - GLDSS 43"H Refrigerated Low-Capacity Self-Service Case - Remote Glycol

### STRAIGHT



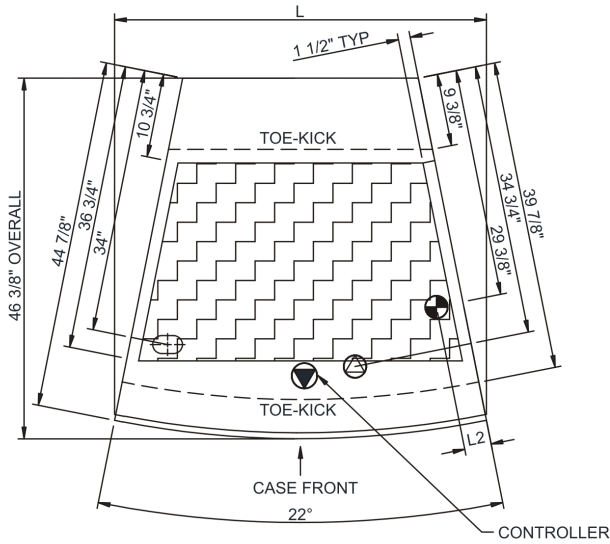
GLDSS443R.5741, GLDSS443R.6527, GLDSS443R(G).5741  
 GLDSS443RC.5741.6527, GLDSS443RC.5741.7716 GLDSS543R.5741  
 GLDSS543R.6527, GLDSS543R(G).5741, GLDSS543RC.5741.6527  
 GLDSS543RC.5741.7716, GLDSS643R.5741, GLDSS643R.6527  
 GLDSS643R(G).5741, GLDSS643RC.5741.6527, GLDSS643RC.5741.7716

NOTE: ALL DIMENSIONS APPROXIMATE

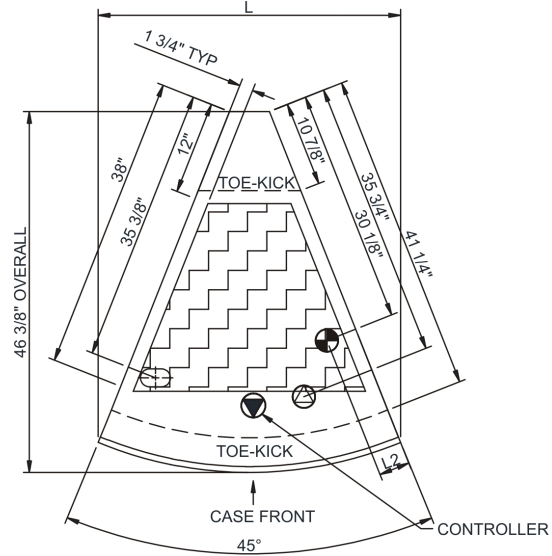
-  ELECTRICAL JUNCTION BOX (SUPPLIED WITH 6" LEADS OR POWER CORD).
-  REFRIGERATION LINE CONNECTION.
-  SELF-CONTAINED CASE SERVICE ACCESS AREA.
-  LOCATION OF DRAIN TUBE FOR REMOTE REF. ONLY (SUPPLIED WITH 3/4" OR 1 1/2" PVC TUBE).
-  REMOTE FLOOR SINK & UTILITIES ACCESS AREA.
-  DRY CASE SERVICE ACCESS AREA.

## Cheese - GLDSS 43"H Refrigerated Low-Capacity Self-Service Case - Remote Glycol

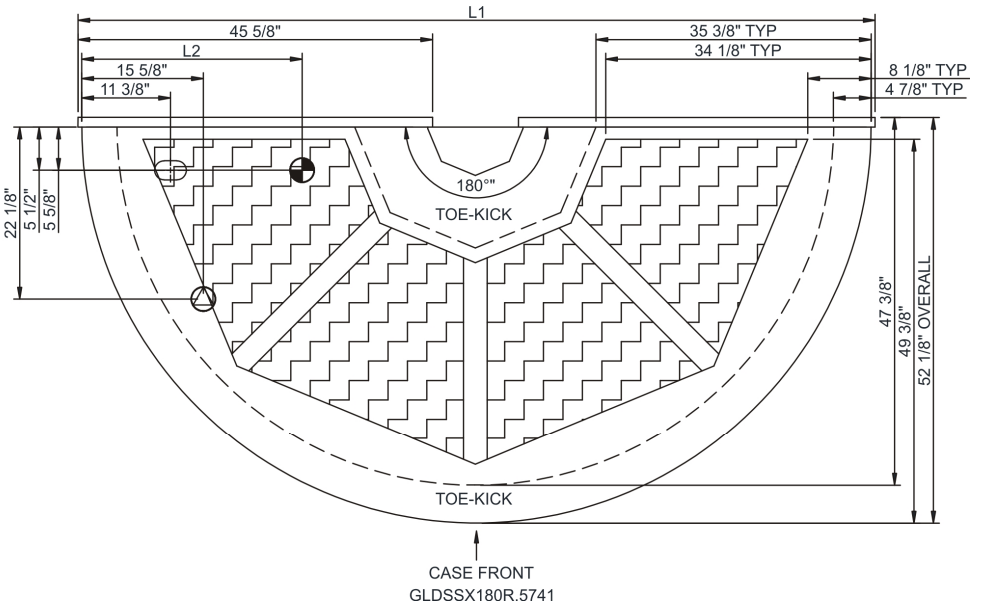
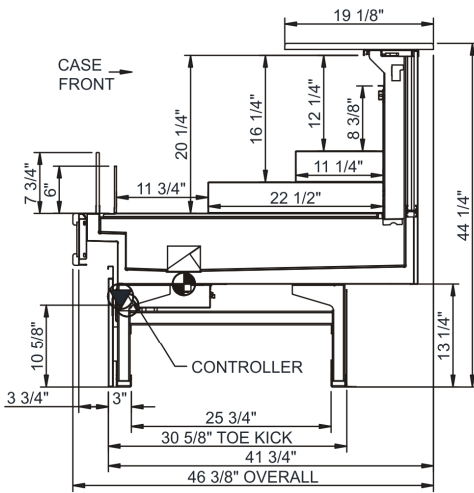
### CONVEX / OUTSIDE CURVE



GLDSSX243R.5741, GLDSSX243R(G).5741, GLDSSX243R.6527, GLDSSX243R.5741.6527, GLDSSX243RC.5741.7716



GLDSSX443R.5741, GLDSSX443R(G).5741, GLDSSX443R.6527, GLDSSX443RC.5741.6527, GLDSSX443RC.5741.7716



NOTE: ALL DIMENSIONS APPROXIMATE

-  ELECTRICAL JUNCTION BOX (SUPPLIED WITH 6" LEADS OR POWER CORD).
-  REFRIGERATION LINE CONNECTION.
-  SELF-CONTAINED CASE SERVICE ACCESS AREA.
-  LOCATION OF DRAIN TUBE FOR REMOTE REF. ONLY (SUPPLIED WITH 3/4" OR 1 1/2" PVC TUBE).
-  REMOTE FLOOR SINK & UTILITIES ACCESS AREA.
-  DRY CASE SERVICE ACCESS AREA.