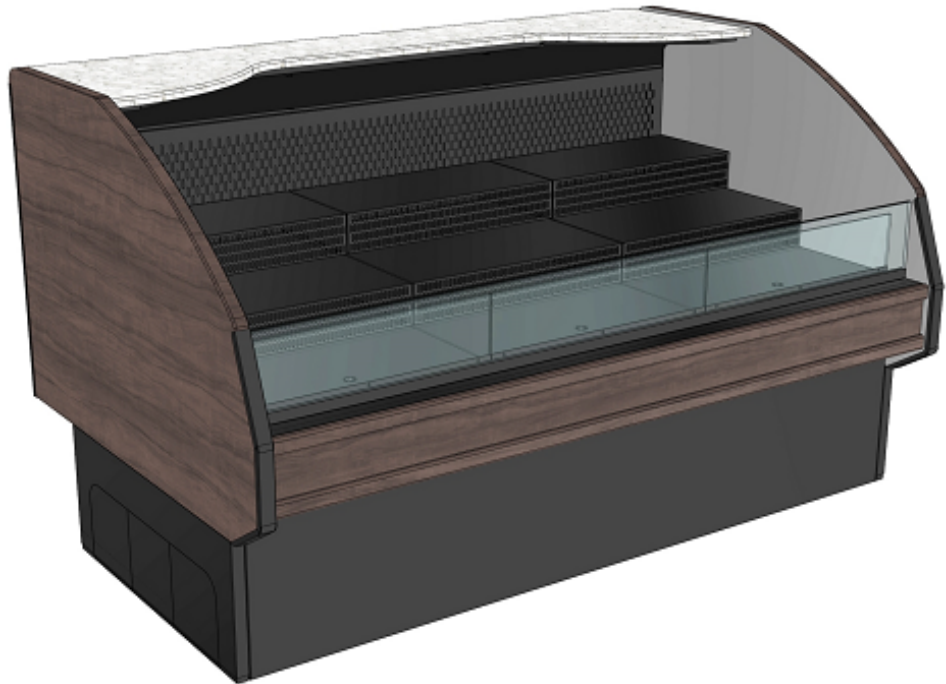


# Cheese - GLDSS 43"H Refrigerated Low-Capacity Self-Service Case - Remote Glycol - Carbon Gray

## Models

- GLDSS443RG.5741-A
- GLDSS543RG.5741-A
- GLDSS643RG.5741-A
- GLDSSX443RG.5741-A
- GLDSSX243RG.5741-A
- GLDSSX180RG.5741-A
- GLDSSN243RG.5741-A
- GLDSSN443RG.5741-A



Features	Standard	Options
<b>EXTERIOR COLOR</b>	<input type="checkbox"/> Carbon Gray Cherry Veneer	
<b>INTERIOR COLOR</b>	<input type="checkbox"/> Black	
<b>BASE</b>	<input type="checkbox"/> 43"H refrigerated base	
<b>BASE SUPPORT</b>	<input type="checkbox"/> Rail system for shims	
<b>BUMPER END</b>	<input type="checkbox"/> None	<input type="checkbox"/> 1" bumper (Steel Gray) (3 rows)
<b>END PANELS</b>	<input type="checkbox"/> None	<input type="checkbox"/> <sup>1</sup> Full end panel
<b>LOWER FRONT PANEL</b>	<input type="checkbox"/> Publix matte black	
<b>REAR LEDGE</b>	<input type="checkbox"/> Everest Quartz	
<b>TOP LIGHT</b>	<input type="checkbox"/> LED top light	
<b>ELECTRICAL CONNECT</b>	<input type="checkbox"/> Leads	
<b>REFRIGERATION</b>	<input type="checkbox"/> Remote Glycol refrigeration	

**Option Notes:** 1 - N/A on model GLDSSX443RG.5741-A

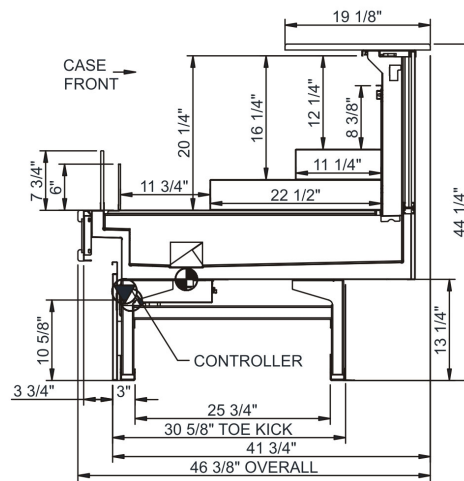
## Applications

- Low capacity self-service merchandiser for refrigerated deli items.

# Cheese GLDSS 43"H Refrigerated Low-Capacity Self-Service Case - Remote Glycol - Carbon Gray

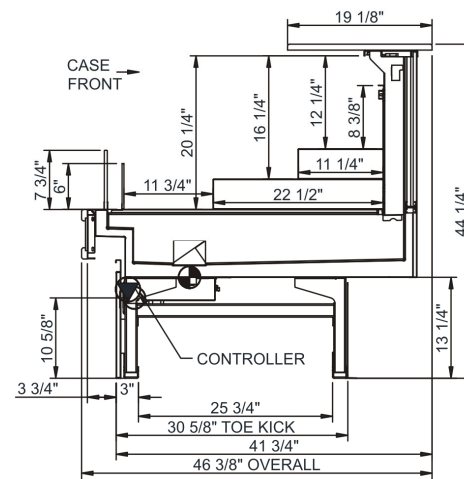
## STRAIGHT

Model	L x D x H (Lengths do not include 1-1/4" end panels)
GLDSS443RG.5741-A	48-3/4"L x 46-3/8"D x 44-1/4"H
GLDSS543RG.5741-A	60-1/2"L x 46-3/8"D x 44-1/4"H
GLDSS643RG.5741-A	74-1/2"L x 46-3/8"D x 44-1/4"H



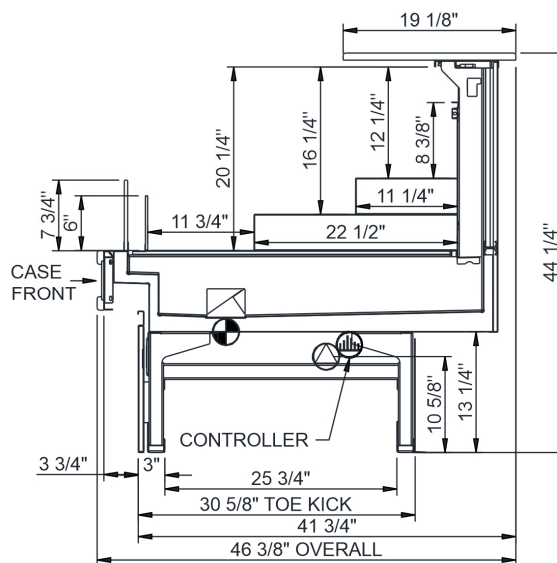
## CONVEX / OUTSIDE CURVE

Model	L x D x H Lengths do not include end panels
GLDSSX443RG.5741-A	38-3/4"L x 46-3/8"D x 44-1/4"H
GLDSSX243RG.5741-A	47-5/8"L x 46-3/8"D x 44-1/4"H
GLDSSX180RG.5741-A	102-1/2"L x 46-3/8"D x 44-1/4"H



## CONCAVE / INSIDE CURVE

Model	L x D x H Lengths do not include end panels
GLDSSN243RG.5741-A*	29-1/4"L x 46-3/8"D x 44-1/4"H
GLDSSN443RG.5741-A*	56-3/8"L x 46-3/8"D x 44-1/4"H



## IMPORTANT NOTES:

Units must be shimmed during installation to ensure the unit is level and plumb.

### WARNING

This product can expose you to chemicals including Urethane (Ethyl Carbamate), which are known to the State of California to cause cancer and birth defects or other reproductive harm. For more information go to [www.P65Warnings.ca.gov](http://www.P65Warnings.ca.gov).

## INTENDED ENVIRONMENT

Designed to operate in ambient conditions of 75°F with 55% relative humidity.

## WARMEST AVG PRODUCT TEMP

Zone	Temp (°F)
1	38

## INTENDED USE OF DISPLAY AREAS

Zone	Intended Use
1	Packaged refrigerated products

\* Additional lead-time required  
INFORMATION IS SUBJECT TO CHANGE WITHOUT NOTICE. Visit [www.structuralconcepts.com](http://www.structuralconcepts.com) for the most current specs.

