

Cheese - GLDSS 43"H Refrigerated Low-Capacity Self-Service Case - CO2 w/ Danfoss Controller - Carbon Gray

DIMENSIONS / SHIPPING				
Model	L"	L1"	L2"	Est Wt (lbs)
GLDSS443RC.5741-A.7716	48.750	51.250	3.500	N/A
GLDSS543RC.5741-A.7716	60.500	63.000	3.500	N/A
GLDSS643RC.5741-A.7716	74.500	77.000	3.500	N/A
GLDSSX443RC.5741-A.7716	38.750	N/A	4.250	N/A
GLDSSX243RC.5741-A.7716	47.625	N/A	4.500	N/A
GLDSSX180RC.5741-A.7716	101.375	N/A	27.625	N/A
GLDSSN243RC.5741-A.7716	29.250	N/A	8.000	N/A
GLDSSN443RC.5741-A.7716	56.375	N/A	15.125	N/A

ELECTRICAL															
Model	System Circuit Volts			Ph	Frq	Rated Load Amps	Min Cir Amps	Max OCP Amps	Watts	Wires	NEMA Plug	Amps Lights	Amps Fans	Amps Anti-Sweats	Amps Misc/Refrig/Heat
GLDSS443RC.5741-A.7716	Remote(R744 T)	Circuit #1	110-120	1	60	1.18	15	15	42	2+G	Leads Single	0.70	0.30	0.18	N/A
GLDSS543RC.5741-A.7716	Remote(R744 T)	Circuit #1	110-120	1	60	1.41	15	15	48	2+G	Leads Multiple	0.70	0.60	0.11	N/A
GLDSS643RC.5741-A.7716	Remote(R744 T)	Circuit #1	110-120	1	60	1.56	15	15	64	2+G	Leads Single	0.70	0.60	0.26	N/A
GLDSSX443RC.5741-A.7716	Remote(R744 T)-Type I Env	Circuit #1	110-120	1	60	1.04	15	15	21	2+G	Leads Single	0.70	0.30	0.04	N/A
GLDSSX243RC.5741-A.7716	Remote(R744 T)	Circuit #1	110-120	1	60	1.12	15	15	30	2+G	Leads Single	0.70	0.30	0.12	N/A
GLDSSX180RC.5741-A.7716	CONTACT FACTORY FOR UPDATED INFORMATION														
GLDSSN243RC.5741-A.7716	CONTACT FACTORY FOR UPDATED INFORMATION														
GLDSSN443RC.5741-A.7716	CONTACT FACTORY FOR UPDATED INFORMATION														

REFRIGERATION													
Model	Zone	Section	System	Envt	REMOTE REFRIGERATION					GLYCOL / R744 REFRIGERATION			
					SST (°F)	Conv. Rack BTUH	Para. Rack BTUH	Defrost Interval (Hrs)	Defrost Duration	Total GPM	Pressure Drop (psi)	Concent (%)	Liquid Temp (°F)
GLDSS443RC.5741-A.7716	All	Main	Remote-R744 TRANSCRITICAL	Type I	26	3,197	2,960	4.00	30.00	N/A	N/A	N/A	N/A
GLDSS543RC.5741-A.7716	All	Main	Remote-R744 TRANSCRITICAL	Type I	26	4,061	3,760	4.00	30.00	N/A	N/A	N/A	N/A
GLDSS643RC.5741-A.7716	All	Main	Remote-R744 TRANSCRITICAL	Type I	26	3,456	3,200	4.00	30.00	N/A	N/A	N/A	N/A
GLDSSX443RC.5741-A.7716	All	Main	Remote-R744 TRANSCRITICAL-Type I Env	Type I	26	1,469	1,360	4.00	30.00	N/A	N/A	N/A	N/A
GLDSSX243RC.5741-A.7716	All	Main	Remote-R744 TRANSCRITICAL	Type I	26	2,527	2,340	4.00	30.00	N/A	N/A	N/A	N/A
GLDSSX180RC.5741-A.7716	CONTACT FACTORY FOR UPDATED INFORMATION												
GLDSSN243RC.5741-A.7716	CONTACT FACTORY FOR UPDATED INFORMATION												
GLDSSN443RC.5741-A.7716	CONTACT FACTORY FOR UPDATED INFORMATION												

INTENDED ENVIRONMENT		
Type I - Designed to operate in ambient conditions of 75°F with 55% relative humidity unless noted otherwise under Envt above.		
WARMEST AVERAGE PRODUCT TEMP & INTENDED USE OF ZONES		
Zone	Temp (°F)	Intended Use
1	38	Packaged refrigerated products

IMPORTANT NOTES
1) Units must be shimmed during installation to ensure the unit is level and plumb.

REGULATORY	
All Models	Accordance with AHRI Std 1200 ETL Listed to UL 471 ETL Listed to CAN/CSA 22.2 No. 120 ETL Sanitation to NSF/ANSI 7



In Accordance with
AHRI Std 1200



888 E. Porter Rd. Muskegon, MI 49441

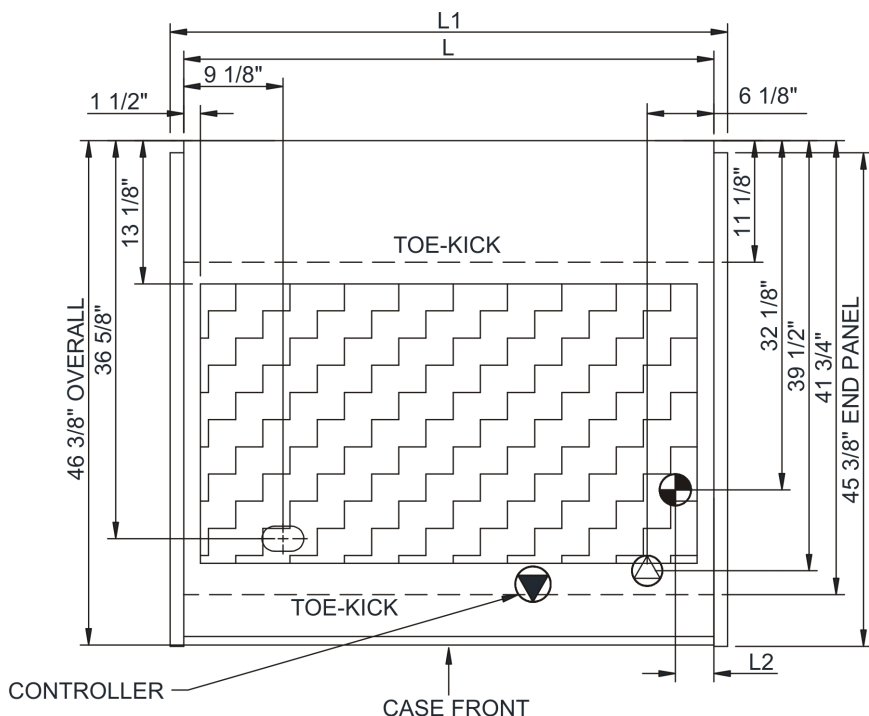
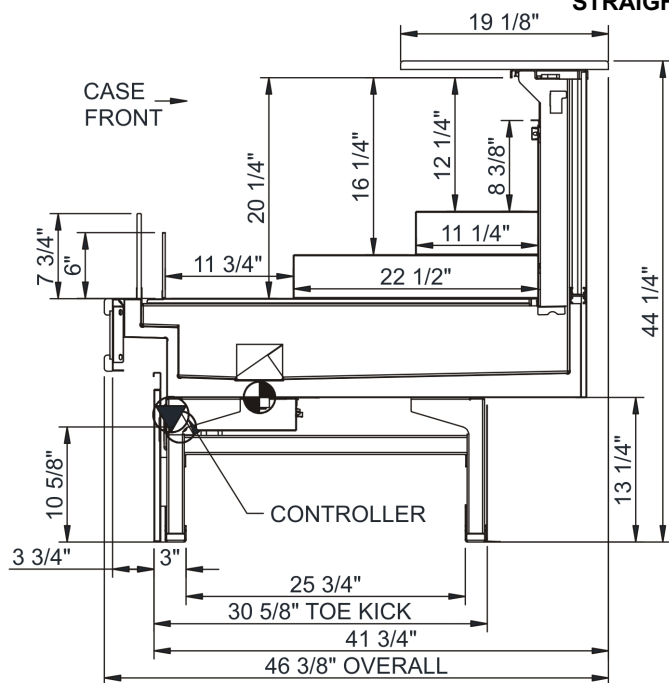
231-798-8888

Revised 1/25/2022

21777696
Supermarket

Cheese - GLDSS 43"H Refrigerated Low-Capacity Self-Service Case - CO2 w/ Danfoss Controller - Carbon Gray

STRAIGHT



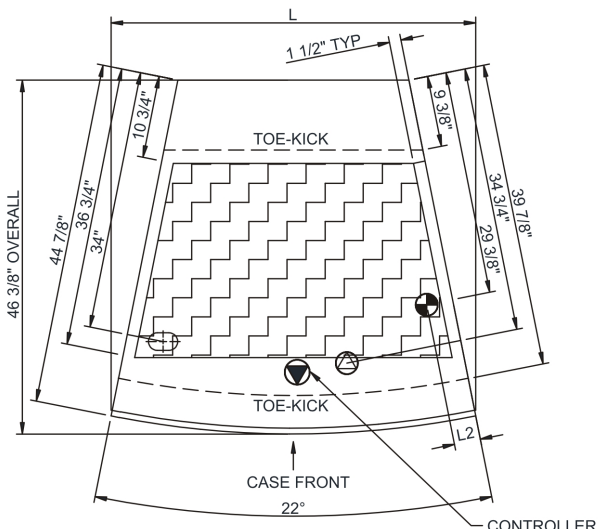
GLDSS443R.5741, GLDSS443R.6527, GLDSS443R(G).5741
 GLDSS443RC.5741.6527, GLDSS443RC.5741.7716 GLDSS543R.5741
 GLDSS543R.6527, GLDSS543R(G).5741, GLDSS543RC.5741.6527
 GLDSS543RC.5741.7716, GLDSS643R.5741, GLDSS643R.6527
 GLDSS643R(G).5741, GLDSS643RC.5741.6527, GLDSS643RC.5741.7716

NOTE: ALL DIMENSIONS APPROXIMATE

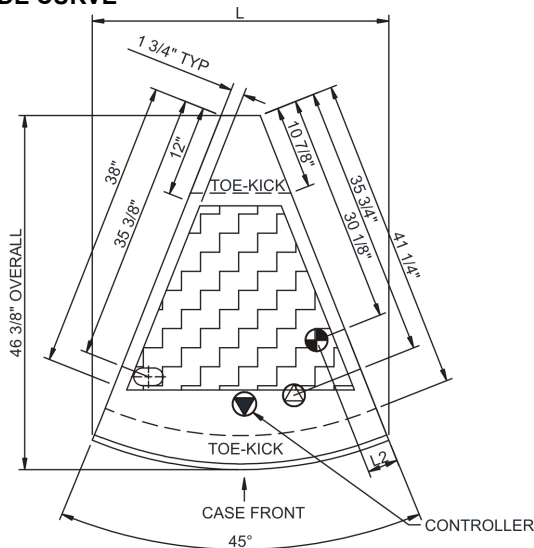
-  ELECTRICAL JUNCTION BOX (SUPPLIED WITH 6" LEADS OR POWER CORD).
-  REFRIGERATION LINE CONNECTION.
-  SELF-CONTAINED CASE SERVICE ACCESS AREA.
-  LOCATION OF DRAIN TUBE FOR REMOTE REF. ONLY (SUPPLIED WITH 3/4" OR 1 1/2" PVC TUBE).
-  REMOTE FLOOR SINK & UTILITIES ACCESS AREA.
-  DRY CASE SERVICE ACCESS AREA.

Cheese - GLDSS 43"H Refrigerated Low-Capacity Self-Service Case - CO2 w/ Danfoss Controller - Carbon Gray

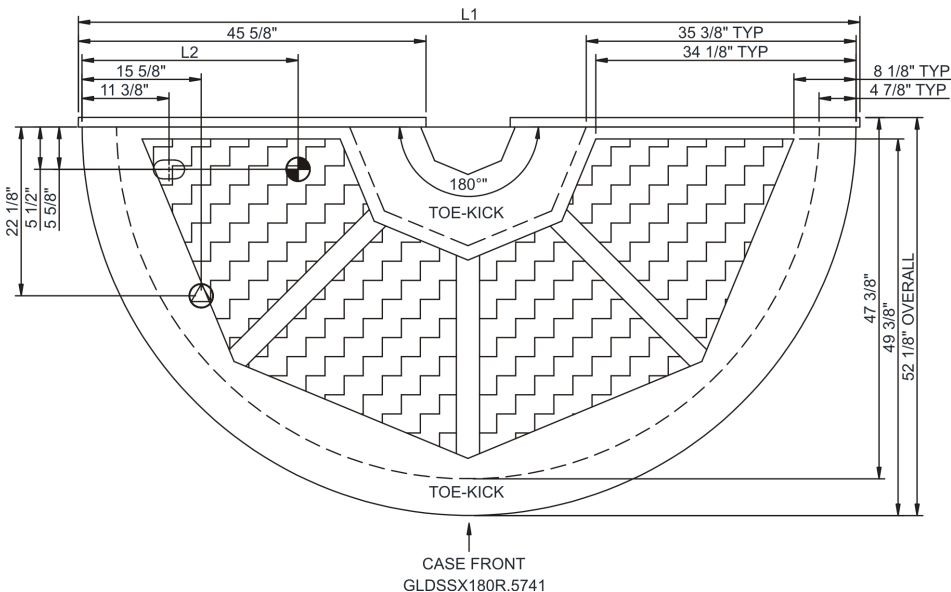
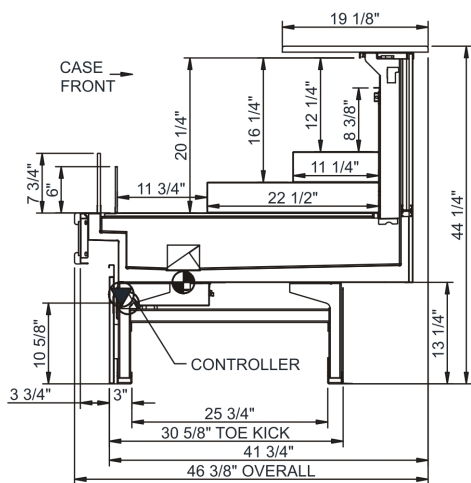
CONVEX / OUTSIDE CURVE



GLDSSX243R.5741, GLDSSX243R(G).5741, GLDSSX243R.6527, GLDSSX243R.5741.6527, GLDSSX243RC.5741.7716



GLDSSX443R.5741, GLDSSX443R(G).5741, GLDSSX443R.6527, GLDSSX443RC.5741.6527, GLDSSX443RC.5741.7716



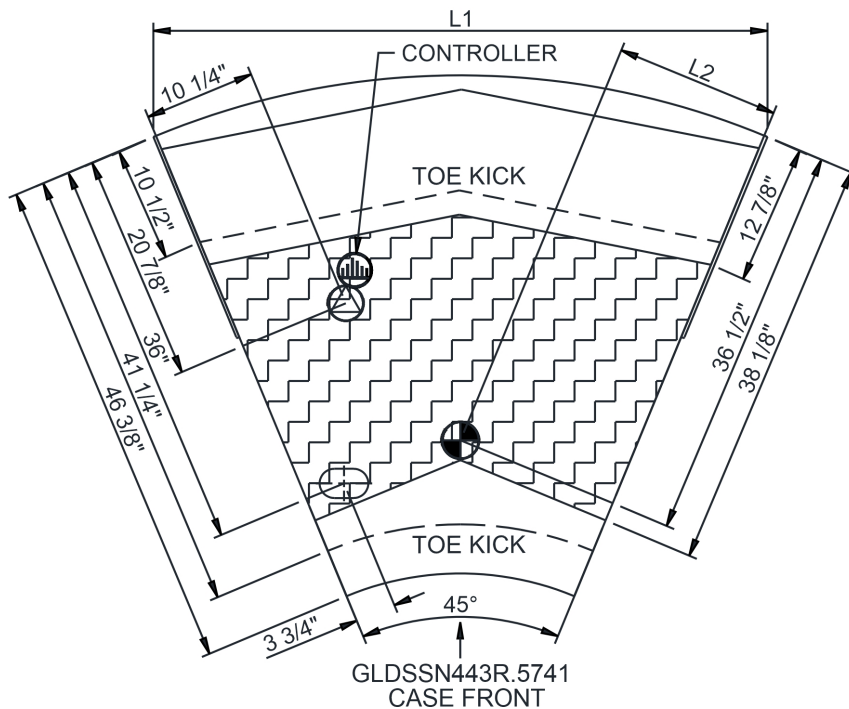
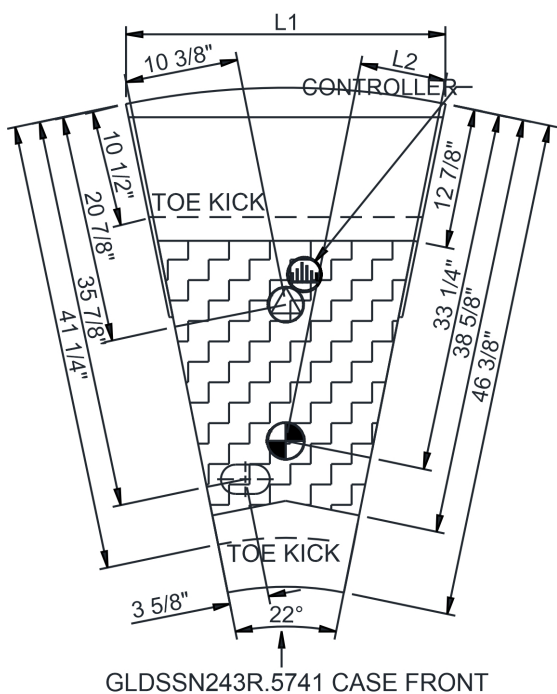
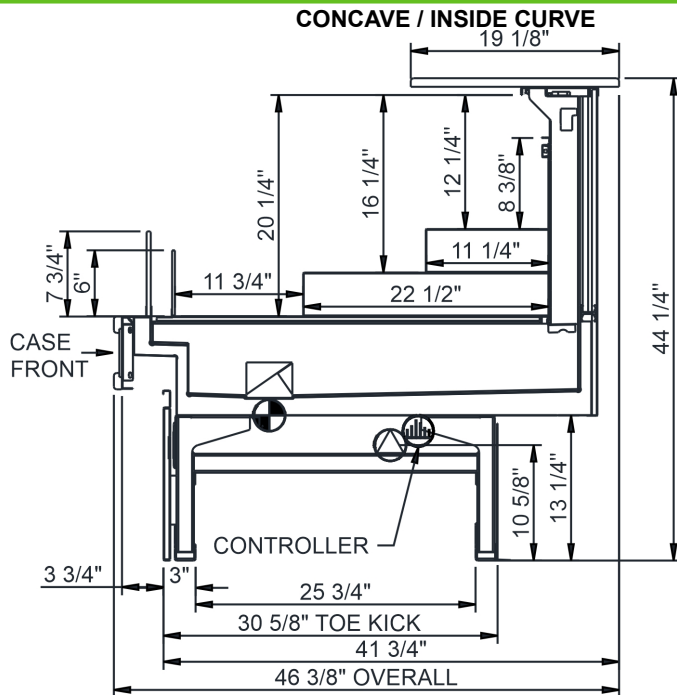
NOTE: ALL DIMENSIONS APPROXIMATE

- ELECTRICAL JUNCTION BOX (SUPPLIED WITH 6" LEADS OR POWER CORD).
- LOCATION OF DRAIN TUBE FOR REMOTE REF. ONLY (SUPPLIED WITH 3/4" OR 1 1/2" PVC TUBE).

- REFRIGERATION LINE CONNECTION.
- REMOTE FLOOR SINK & UTILITIES ACCESS AREA.

- SELF-CONTAINED CASE SERVICE ACCESS AREA.
- DRY CASE SERVICE ACCESS AREA.

Cheese - GLDSS 43"H Refrigerated Low-Capacity Self-Service Case - CO2 w/ Danfoss Controller - Carbon Gray



NOTE: ALL DIMENSIONS APPROXIMATE

⊗ ELECTRICAL JUNCTION BOX (SUPPLIED WITH 6" LEADS OR POWER CORD).
⊕ LOCATION OF DRAIN TUBE FOR REMOTE REF. ONLY (SUPPLIED WITH 3/4" OR 1 1/2" PVC TUBE).

⊕ REFRIGERATION LINE CONNECTION.
⊕ REMOTE FLOOR SINK & UTILITIES ACCESS AREA.

⊕ SELF-CONTAINED CASE SERVICE ACCESS AREA.
⊕ DRY CASE SERVICE ACCESS AREA.