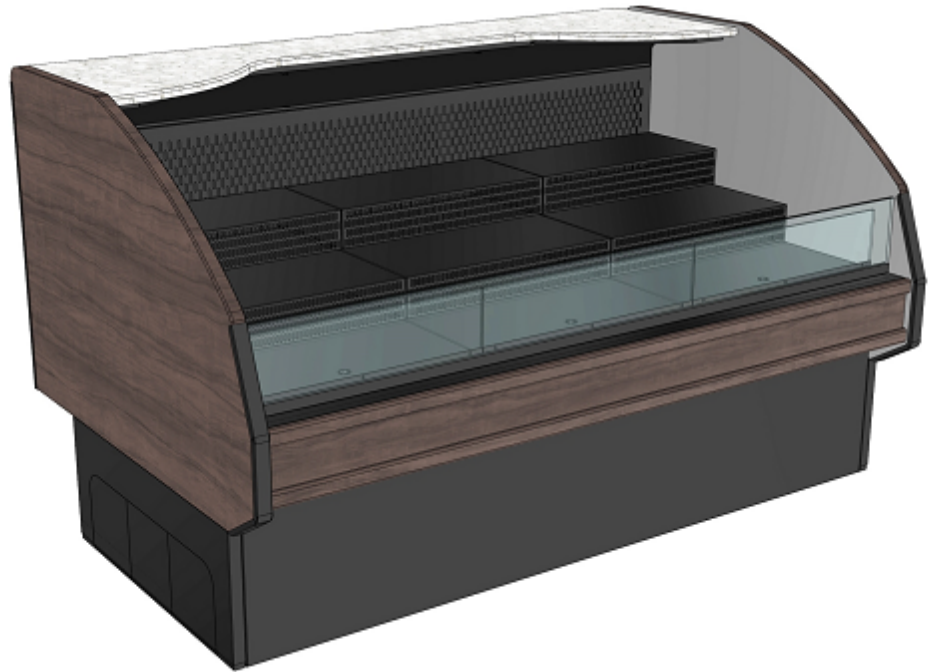


Cheese - GLDSS 43"H Refrigerated Low-Capacity Self-Service Case - CO2 w/ Danfoss Controller - Carbon Gray

Models

GLDSS443RC.5741-A.7716
 GLDSS543RC.5741-A.7716
 GLDSS643RC.5741-A.7716
 GLDSSX443RC.5741-A.7716
 GLDSSX243RC.5741-A.7716
 GLDSSX180RC.5741-A.7716
 GLDSSN243RC.5741-A.7716
 GLDSSN443RC.5741-A.7716



Features	Standard	Options
EXTERIOR COLOR	<input type="checkbox"/> Carbon Gray Cherry Veneer	
INTERIOR COLOR	<input type="checkbox"/> Black	
BASE	<input type="checkbox"/> 43"H refrigerated base	
BASE SUPPORT	<input type="checkbox"/> Rail system for shims	
BUMPER END	<input type="checkbox"/> None	<input type="checkbox"/> 1" bumper (Steel Gray) (3 rows)
END PANELS	<input type="checkbox"/> None	<input type="checkbox"/> Full end panel
LOWER FRONT PANEL	<input type="checkbox"/> Publix matte black	
REAR LEDGE	<input type="checkbox"/> Everest Quartz	
TOP LIGHT	<input type="checkbox"/> LED top light	
ELECTRICAL CONNECT	<input type="checkbox"/> Leads	
REFRIGERATION	<input type="checkbox"/> Remote CO2 refrigeration (specify type) w/ controller	

Option Notes: 1 - N/A on model
 GLDSSX443RC.5741-A.7716

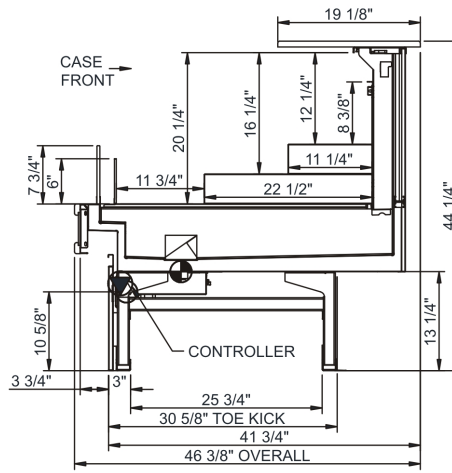
Applications

- Low capacity self-service merchandiser for refrigerated deli items.

Cheese GLDSS 43"H Refrigerated Low-Capacity Self-Service Case - CO2 w/ Danfoss Controller - Carbon Gray

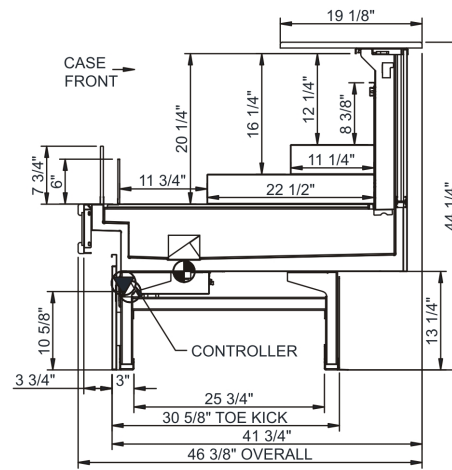
STRAIGHT

Model	L x D x H (Lengths do not include 1-1/4" end panels)
GLDSS443RC.5741-A.7716	48-3/4"L x 46-3/8"D x 44-1/4"H
GLDSS543RC.5741-A.7716	60-1/2"L x 46-3/8"D x 44-1/4"H
GLDSS643RC.5741-A.7716	74-1/2"L x 46-3/8"D x 44-1/4"H



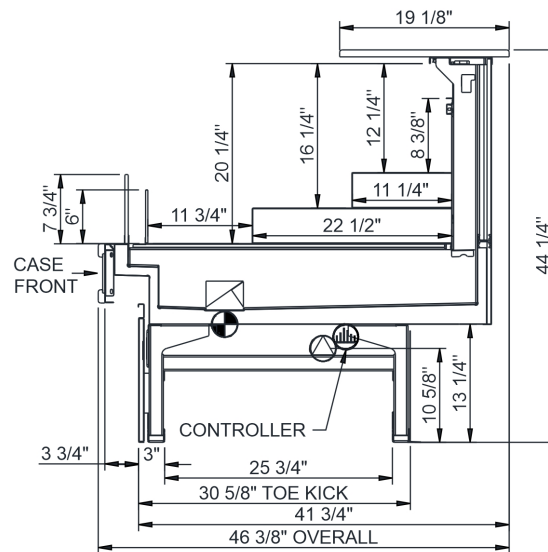
CONVEX / OUTSIDE CURVE

Model	L x D x H Lengths do not include end panels
GLDSSX443RC.5741-A.7716	38-3/4"L x 46-3/8"D x 44-1/4"H
GLDSSX243RC.5741-A.7716	47-5/8"L x 46-3/8"D x 44-1/4"H
GLDSSX180RC.5741-A.7716*	101-3/8"L x 50-1/2"D x 44-1/4"H



CONCAVE / INSIDE CURVE

Model	L x D x H Lengths do not include end panels
GLDSSN243RC.5741-A.7716*	29-1/4"L x 46-3/8"D x 44-1/4"H
GLDSSN443RC.5741-A.7716*	56-3/8"L x 46-3/8"D x 44-1/4"H



IMPORTANT NOTES:

1) Units must be shimmed during installation to ensure the unit is level and plumb.



WARNING

This product can expose you to chemicals including Urethane (Ethyl Carbamate), which are known to the State of California to cause cancer and birth defects or other reproductive harm. For more information go to www.P65Warnings.ca.gov.

INTENDED ENVIRONMENT

Designed to operate in ambient conditions of 75°F with 55% relative humidity.

WARMEST AVG PRODUCT TEMP

Zone	Temp (°F)
1	38

INTENDED USE OF DISPLAY AREAS

Zone	Intended Use
1	Packaged refrigerated products

For more information on any of our products or services please visit us on the web at:

www.structuralconcepts.com

* Additional lead-time required
INFORMATION IS SUBJECT TO CHANGE WITHOUT NOTICE. Visit www.structuralconcepts.com for the most current specs.