

Cheese - GLDSS 43"H Refrigerated Low-Capacity Self-Service Case - CO2 w/ Danfoss Controller

DIMENSIONS / SHIPPING				
Model	L"	L1"	L2"	Est Wt (lbs)
GLDSS443RC.5741.7716	48.750	51.250	3.500	N/A
GLDSS543RC.5741.7716	60.500	63.000	3.500	N/A
GLDSS643RC.5741.7716	74.500	77.000	3.500	N/A
GLDSSX443RC.5741.7716	38.750	N/A	4.250	N/A
GLDSSX243RC.5741.7716	47.625	N/A	4.500	N/A
GLDSSN243RC.5741.7716	29.250	N/A	8.000	N/A
GLDSSN443RC.5741.7716	56.375	N/A	15.125	N/A

ELECTRICAL															
Model	System Circuit Volts	Ph	Frq	Rated Load Amps	Min Cir Amps	Max OCP Amps	Watts	Wires	NEMA Plug	Amps Lights	Amps Fans	Amps Anti-Sweats	Amps Misc/Refrig/Heat		
GLDSS443RC.5741.7716	CONTACT FACTORY FOR UPDATED INFORMATION														
GLDSS543RC.5741.7716	CONTACT FACTORY FOR UPDATED INFORMATION														
GLDSS643RC.5741.7716	Remote(R744 T)	Circuit #1	110-120	1	60	1.56	15	15	64	2+G	Leads Single	0.70	0.60	0.26	N/A
GLDSSX443RC.5741.7716	Remote(R744 T)-Type I Env	Circuit #1	110-120	1	60	1.04	15	15	21	2+G	Leads Single	0.70	0.30	0.04	N/A
GLDSSX243RC.5741.7716	Remote(R744 T)	Circuit #1	110-120	1	60	1.12	15	15	30	2+G	Leads Single	0.70	0.30	0.12	N/A
GLDSSN243RC.5741.7716	CONTACT FACTORY FOR UPDATED INFORMATION														
GLDSSN443RC.5741.7716	CONTACT FACTORY FOR UPDATED INFORMATION														

REFRIGERATION													
Model	Zone	Section	System	Envt	REMOTE REFRIGERATION				GLYCOL / R744 REFRIGERATION				
					SST (°F)	Conv. Rack BTUH	Para. Rack BTUH	Defrost Interval (Hrs)	Defrost Duration (Mins)	Total GPM	Pressure Drop (psi)	Concent (%)	Liquid Temp (°F)
GLDSS443RC.5741.7716	CONTACT FACTORY FOR UPDATED INFORMATION												
GLDSS543RC.5741.7716	CONTACT FACTORY FOR UPDATED INFORMATION												
GLDSS643RC.5741.7716	All	Main	Remote-R744 TRANSCRITICAL	Type I	26	3,456	3,200	4.00	30.00	N/A	N/A	N/A	N/A
GLDSSX443RC.5741.7716	All	Main	Remote-R744 TRANSCRITICAL-Type I Env	Type I	26	1,469	1,360	4.00	30.00	N/A	N/A	N/A	N/A
GLDSSX243RC.5741.7716	All	Main	Remote-R744 TRANSCRITICAL	Type I	26	2,527	2,340	4.00	30.00	N/A	N/A	N/A	N/A
GLDSSN243RC.5741.7716	CONTACT FACTORY FOR UPDATED INFORMATION												
GLDSSN443RC.5741.7716	CONTACT FACTORY FOR UPDATED INFORMATION												

INTENDED ENVIRONMENT
 Type I - Designed to operate in ambient conditions of 75°F with 55% relative humidity unless noted otherwise under Envt above.

IMPORTANT NOTES
 1) Units must be shimmed during installation to ensure the unit is level and plumb.

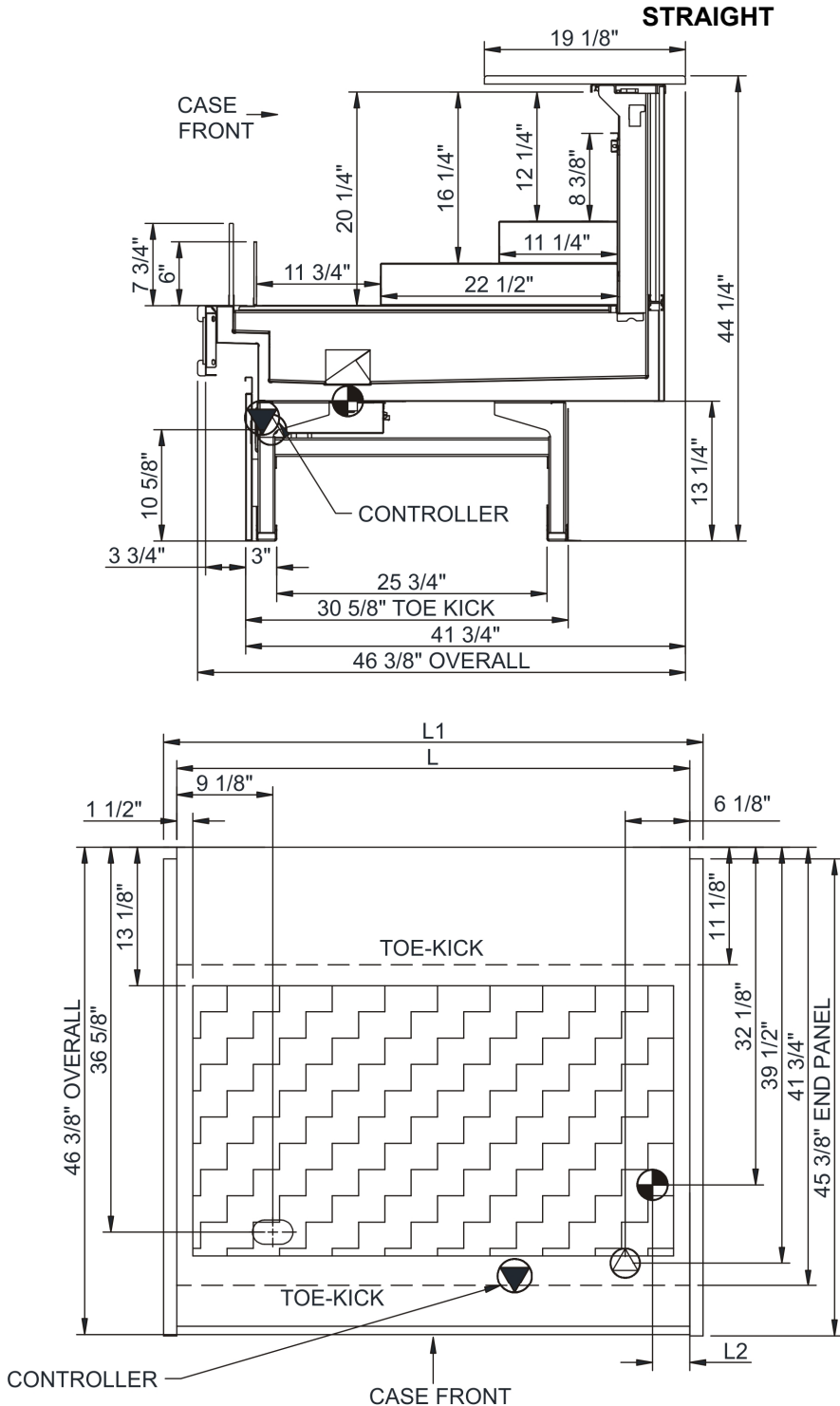
WARMEST AVERAGE PRODUCT TEMP & INTENDED USE OF ZONES		
Zone	Temp (°F)	Intended Use
1	38	Packaged refrigerated products

REGULATORY	
All Models	Accordance with AHRI Std 1200 ETL Listed to UL 471 ETL Listed to CAN/CSA 22.2 No. 120 ETL Sanitation to NSF/ANSI 7



In Accordance with
AHRI Std 1200

Cheese - GLDSS 43"H Refrigerated Low-Capacity Self-Service Case - CO2 w/ Danfoss Controller



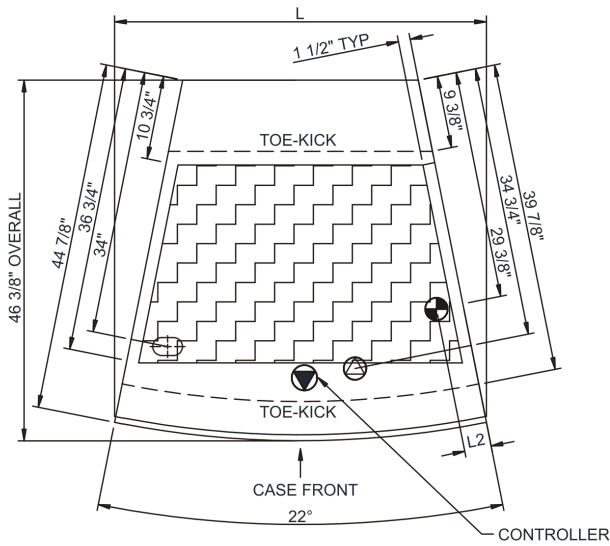
GLDSS443R.5741, GLDSS443R.6527, GLDSS443R(G).5741
 GLDSS443RC.5741.6527, GLDSS443RC.5741.7716 GLDSS543R.5741
 GLDSS543R.6527, GLDSS543R(G).5741, GLDSS543RC.5741.6527
 GLDSS543RC.5741.7716, GLDSS643R.5741, GLDSS643R.6527
 GLDSS643R(G).5741, GLDSS643RC.5741.6527, GLDSS643RC.5741.7716

NOTE: ALL DIMENSIONS APPROXIMATE

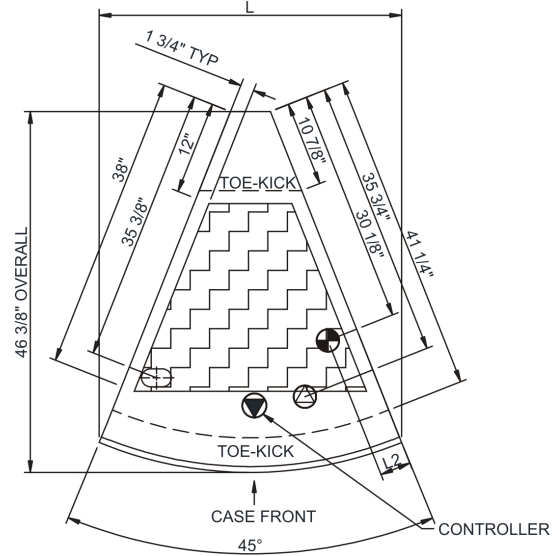
-  ELECTRICAL JUNCTION BOX (SUPPLIED WITH 6" LEADS OR POWER CORD).
-  REFRIGERATION LINE CONNECTION.
-  SELF-CONTAINED CASE SERVICE ACCESS AREA.
-  LOCATION OF DRAIN TUBE FOR REMOTE REF. ONLY (SUPPLIED WITH 3/4" OR 1 1/2" PVC TUBE).
-  REMOTE FLOOR SINK & UTILITIES ACCESS AREA.
-  DRY CASE SERVICE ACCESS AREA.

Cheese - GLDSS 43"H Refrigerated Low-Capacity Self-Service Case - CO2 w/ Danfoss Controller

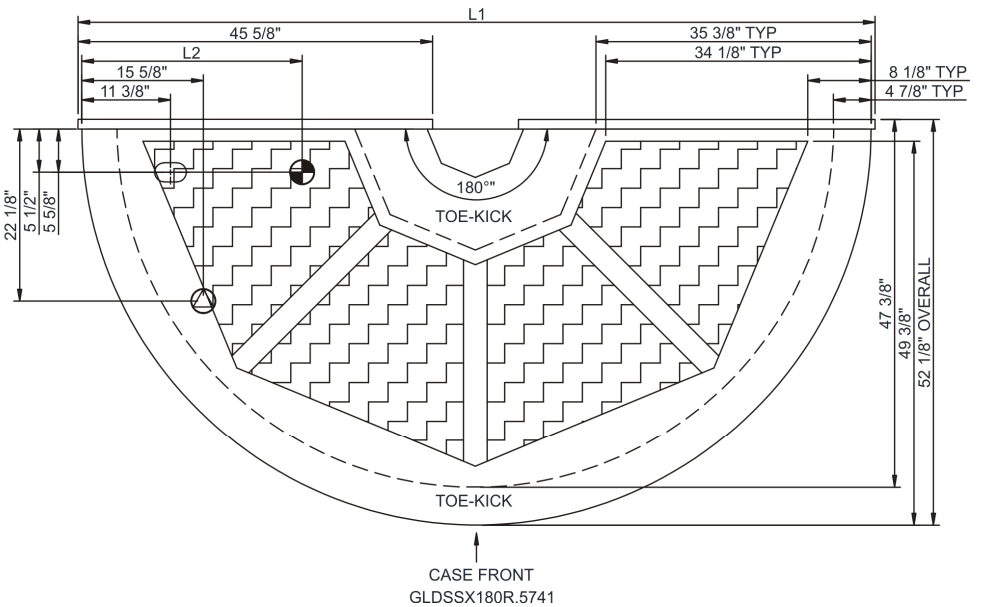
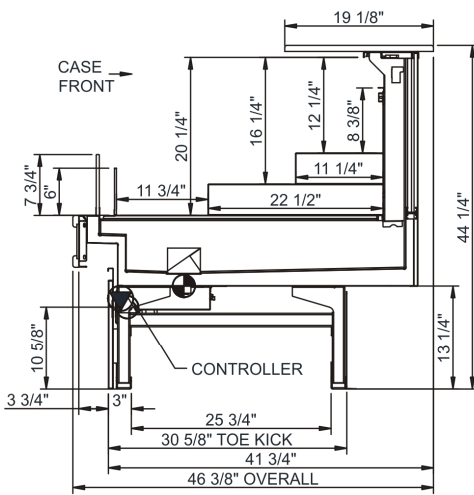
CONVEX / OUTSIDE CURVE



GLDSSX243R.5741, GLDSSX243R(G).5741, GLDSSX243R.6527, GLDSSX243R.5741.6527, GLDSSX243RC.5741.7716



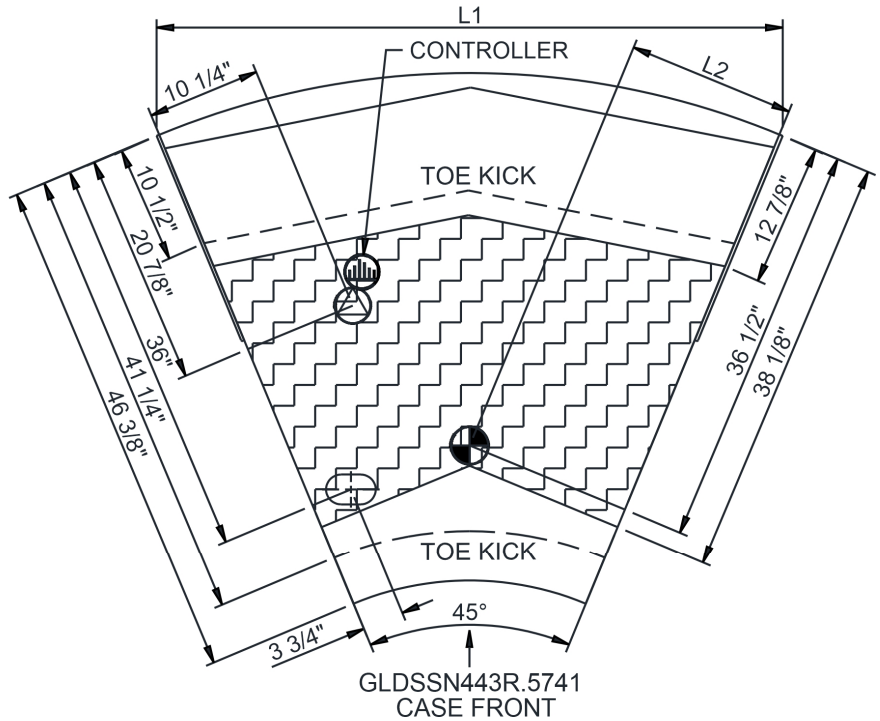
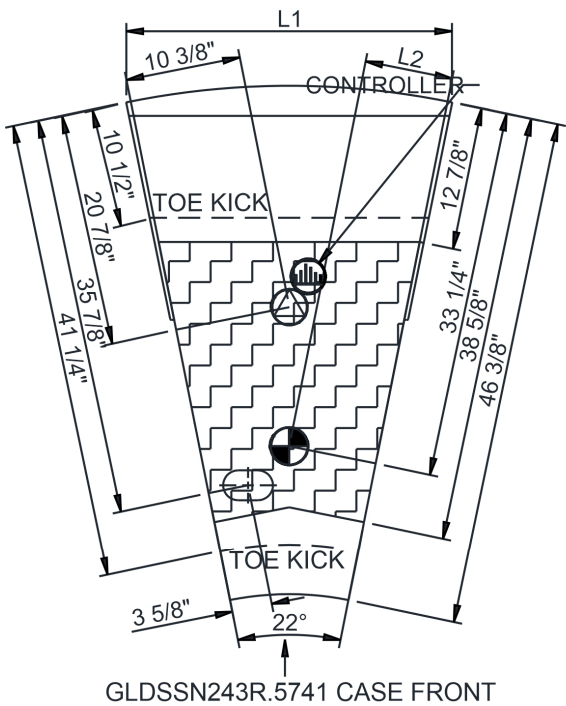
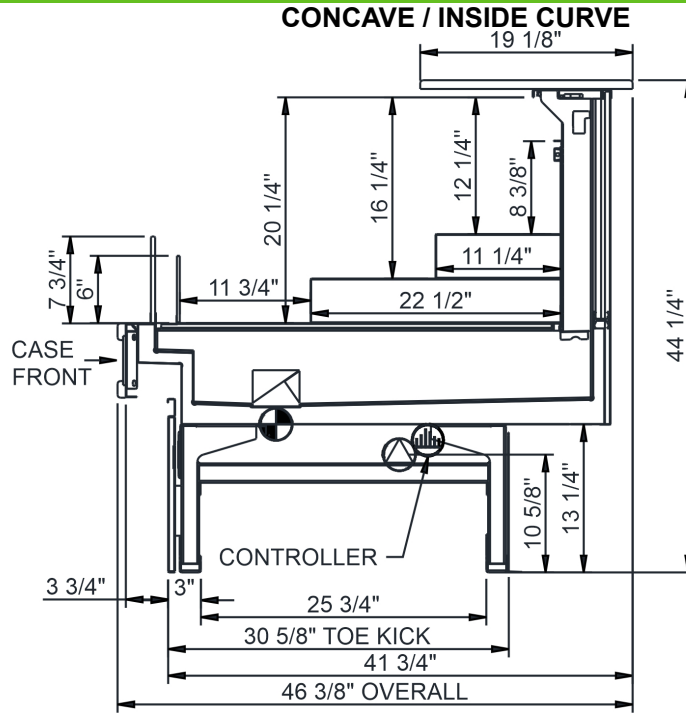
GLDSSX443R.5741, GLDSSX443R(G).5741, GLDSSX443R.6527, GLDSSX443RC.5741.6527, GLDSSX443RC.5741.7716



NOTE: ALL DIMENSIONS APPROXIMATE

-  ELECTRICAL JUNCTION BOX (SUPPLIED WITH 6" LEADS OR POWER CORD).
-  REFRIGERATION LINE CONNECTION.
-  SELF-CONTAINED CASE SERVICE ACCESS AREA.
-  LOCATION OF DRAIN TUBE FOR REMOTE REF. ONLY (SUPPLIED WITH 3/4" OR 1 1/2" PVC TUBE).
-  REMOTE FLOOR SINK & UTILITIES ACCESS AREA.
-  DRY CASE SERVICE ACCESS AREA.

Cheese - GLDSS 43"H Refrigerated Low-Capacity Self-Service Case - CO2 w/ Danfoss Controller



NOTE: ALL DIMENSIONS APPROXIMATE

- ELECTRICAL JUNCTION BOX (SUPPLIED WITH 6" LEADS OR POWER CORD).
- LOCATION OF DRAIN TUBE FOR REMOTE REF. ONLY (SUPPLIED WITH 3/4" OR 1 1/2" PVC TUBE).

- REFRIGERATION LINE CONNECTION.
- REMOTE FLOOR SINK & UTILITIES ACCESS AREA.

- SELF-CONTAINED CASE SERVICE ACCESS AREA.
- DRY CASE SERVICE ACCESS AREA.