

Technical Information

Structural Concepts®

DELIVERING FRESH. ALWAYS.™

Cheese - GLDSS 43"H Refrigerated Low-Capacity Self-Service Case - Remote DX
Danfoss Controller - Carbon Gray

DIMENSIONS / SHIPPING				
Model	L"	L1"	L2"	Est Wt (lbs)
GLDSS443R.5741-A.7716	48.750	51.250	3.500	N/A
GLDSS543R.5741-A.7716	60.500	63.000	3.500	N/A
GLDSS643R.5741-A.7716	74.500	77.000	3.500	N/A
GLDSSX443R.5741-A.7716	38.750	N/A	4.250	N/A
GLDSSX243R.5741-A.7716	47.625	N/A	4.500	N/A
GLDSSX180R.5741-A.7716	101.375	N/A	27.625	N/A
GLDSSN243R.5741-A.7716	29.250	N/A	8.000	N/A
GLDSSN443R.5741-A.7716	56.375	N/A	15.125	N/A

ELECTRICAL															
Model	System Circuit Volts			Ph	Frq	Rated Load Amps	Min Cir Amps	Max OCP Amps	Watts	Wires	NEMA Plug	Amps Lights	Amps Fans	Amps Anti-Sweats	Amps Misc/Refrig/Heat
GLDSS443R.5741-A.7716	Remote (DX)	Circuit #1	110-120	1	60	1.18	15	15	42	2+G	Leads Multiple	0.70	0.30	0.18	N/A
GLDSS543R.5741-A.7716	Remote (DX)-Type I Env	Circuit #1	110-120	1	60	1.55	15	15	77	2+G	Leads Multiple	0.70	0.62	0.23	N/A
GLDSS643R.5741-A.7716	Remote (DX)	Circuit #1	110-120	1	60	1.56	15	15	68	2+G	Leads Multiple	0.70	0.60	0.26	N/A
GLDSSX443R.5741-A.7716	Remote (DX)	Circuit #1	110-120	1	60	1.04	15	15	21	2+G	Leads Multiple	0.70	0.30	0.04	N/A
GLDSSX243R.5741-A.7716	Remote (DX)	Circuit #1	110-120	1	60	1.12	15	15	32	2+G	Leads Multiple	0.70	0.30	0.12	N/A
GLDSSX180R.5741-A.7716	Remote (DX)	Circuit #1	110-120	1	60	2.10	15	15	162	2+G	Leads Multiple	0.70	1.24	0.16	N/A
GLDSSN243R.5741-A.7716	CONTACT FACTORY FOR UPDATED INFORMATION														
GLDSSN443R.5741-A.7716	CONTACT FACTORY FOR UPDATED INFORMATION														

REFRIGERATION													
Model	Zone	Section	System	Envt	REMOTE REFRIGERATION					GLYCOL / R744 REFRIGERATION			
					SST (°F)	Conv. Rack BTUH	Para. Rack BTUH	Defrost Interval (Hrs)	Defrost Duration	Total GPM	Pressure Drop (psi)	Concent (%)	Liquid Temp (°F)
GLDSS443R.5741-A.7716	All	Main	Remote-DX	Type I	26	3,197	2,960	4.00	30.00	N/A	N/A	N/A	N/A
GLDSS543R.5741-A.7716	All	Main	Remote-DX-Type I Env	Type I	26	4,039	3,740	4.00	30.00	N/A	N/A	N/A	N/A
	All	Main	Remote-DX-Type I Env	Type I	26	4,061	3,760	4.00	30.00	N/A	N/A	N/A	N/A
GLDSS643R.5741-A.7716	All	Main	Remote-DX	Type I	26	3,456	3,200	4.00	30.00	N/A	N/A	N/A	N/A
GLDSSX443R.5741-A.7716	All	Main	Remote-DX	Type I	26	1,469	1,360	4.00	30.00	N/A	N/A	N/A	N/A
GLDSSX243R.5741-A.7716	All	Main	Remote-DX	Type I	26	2,527	2,340	4.00	30.00	N/A	N/A	N/A	N/A
GLDSSX180R.5741-A.7716	All	Main	Remote-DX	Type I	26	5,875	5,440	4.00	30.00	N/A	N/A	N/A	N/A
GLDSSN243R.5741-A.7716	CONTACT FACTORY FOR UPDATED INFORMATION												
GLDSSN443R.5741-A.7716	CONTACT FACTORY FOR UPDATED INFORMATION												

INTENDED ENVIRONMENT		
Type I - Designed to operate in ambient conditions of 75°F with 55% relative humidity unless noted otherwise under Envt above.		
WARMEST AVERAGE PRODUCT TEMP & INTENDED USE OF ZONES		
Zone	Temp (°F)	Intended Use
1	38	Packaged refrigerated products

IMPORTANT NOTES
1) Units must be shimmed during installation to ensure the unit is level and plumb.

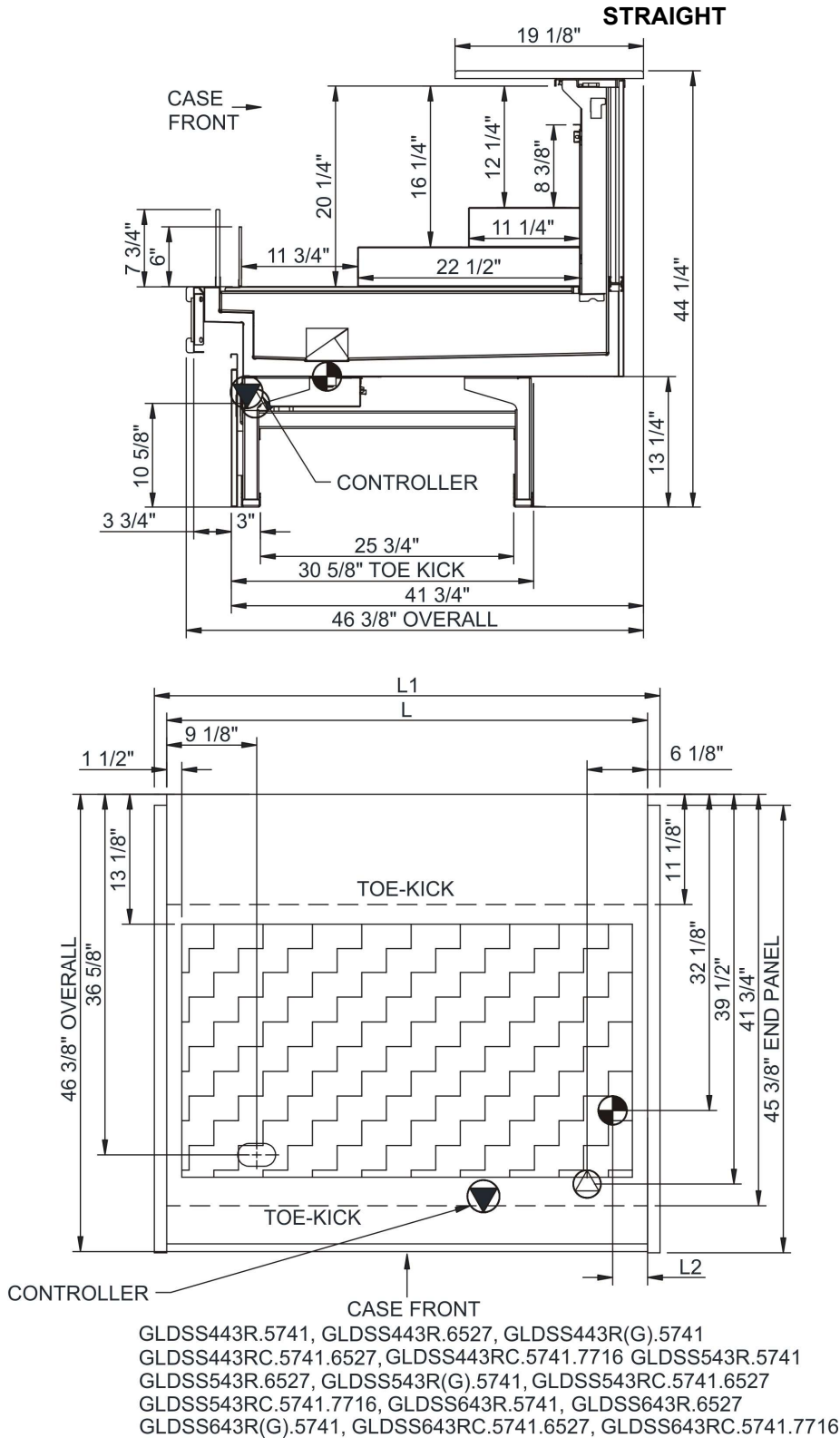
REGULATORY	
All Models	Accordance with AHRI Std 1200 ETL Listed to UL 471 ETL Listed to CAN/CSA 22.2 No. 120 ETL Sanitation to NSF/ANSI 7



In Accordance with
AHRI Std 1200

Technical Information

Cheese - GLDSS 43"H Refrigerated Low-Capacity Self-Service Case - Remote DX
Danfoss Controller - Carbon Gray

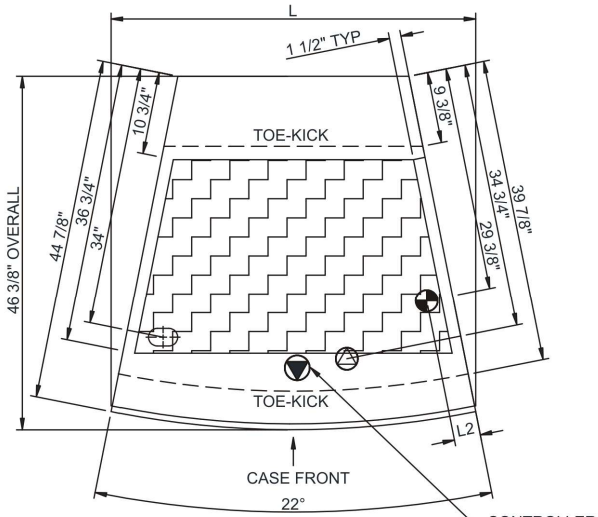


NOTE: ALL DIMENSIONS APPROXIMATE

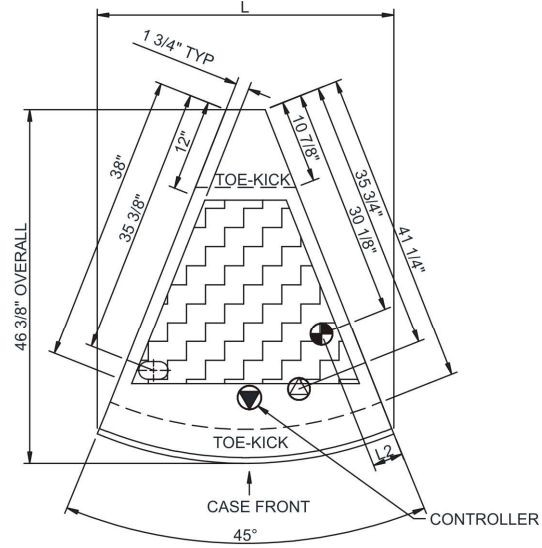
-  ELECTRICAL JUNCTION BOX (SUPPLIED WITH 6" LEADS OR POWER CORD).
-  REFRIGERATION LINE CONNECTION.
-  SELF-CONTAINED CASE SERVICE ACCESS AREA.
-  LOCATION OF DRAIN TUBE FOR REMOTE REF. ONLY (SUPPLIED WITH 3/4" OR 1 1/2" PVC TUBE).
-  REMOTE FLOOR SINK & UTILITIES ACCESS AREA.
-  DRY CASE SERVICE ACCESS AREA.

Cheese - GLDSS 43"H Refrigerated Low-Capacity Self-Service Case - Remote DX
Danfoss Controller - Carbon Gray

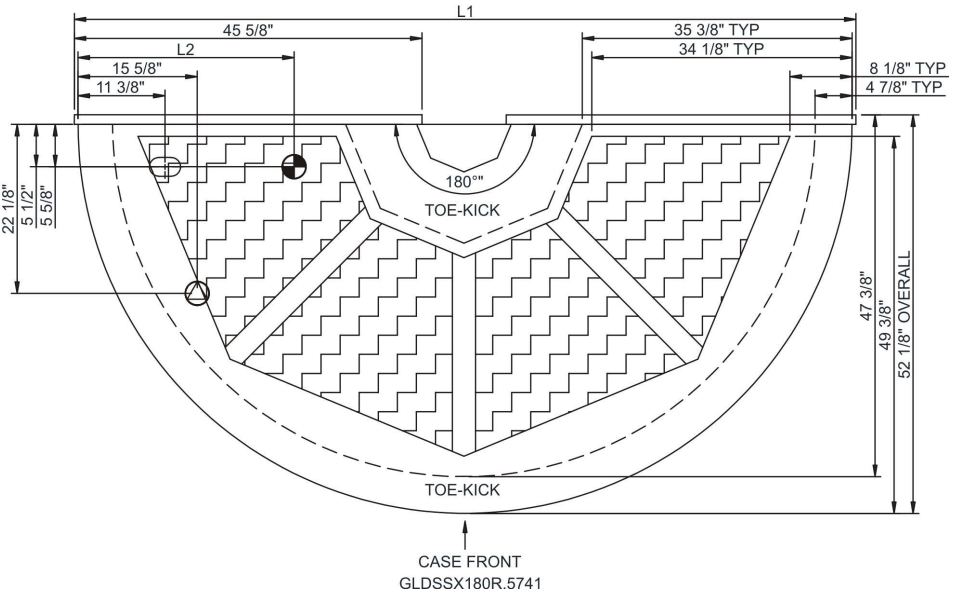
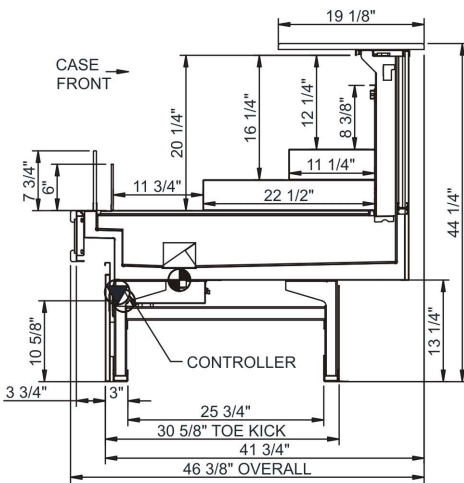
CONVEX / OUTSIDE CURVE



GLDSSX243R.5741, GLDSSX243R(G).5741, GLDSSX243R.6527,
GLDSSX243R.5741.6527, GLDSSX243RC.5741.7716



GLDSSX443R.5741, GLDSSX443R(G).5741, GLDSSX443R.6527,
GLDSSX443RC.5741.6527, GLDSSX443RC.5741.7716



NOTE: ALL DIMENSIONS APPROXIMATE

⊗ ELECTRICAL JUNCTION BOX
(SUPPLIED WITH 6" LEADS OR POWER CORD).
○ LOCATION OF DRAIN TUBE FOR REMOTE REF.
ONLY (SUPPLIED WITH 3/4" OR 1 1/2" PVC TUBE).

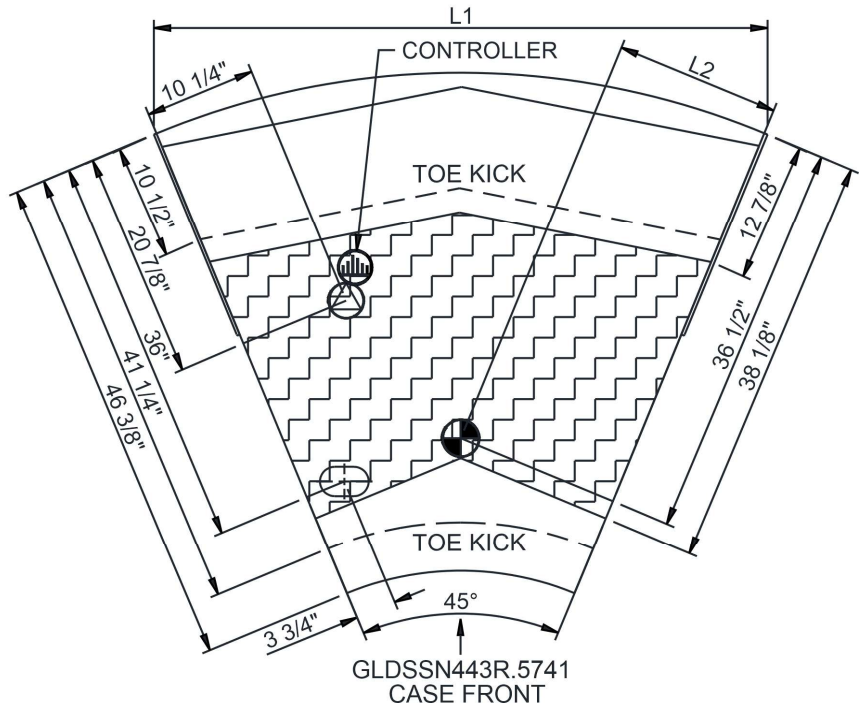
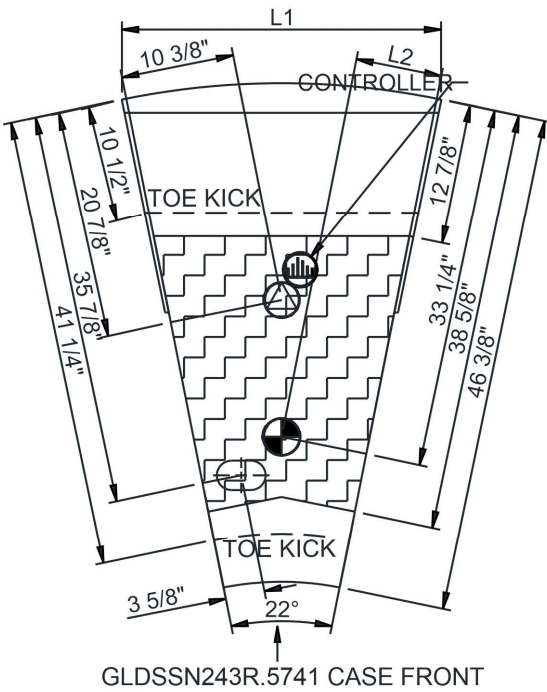
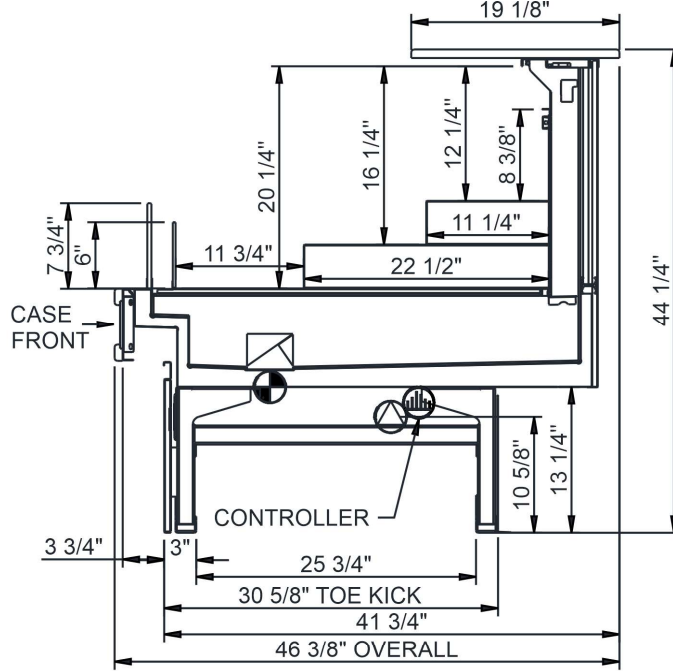
⊕ REFRIGERATION LINE CONNECTION.
⊞ REMOTE FLOOR SINK & UTILITIES
ACCESS AREA.

▨ SELF-CONTAINED CASE SERVICE ACCESS AREA.
▩ DRY CASE SERVICE ACCESS AREA.

Technical Information

Cheese - GLDSS 43"H Refrigerated Low-Capacity Self-Service Case - Remote DX
Danfoss Controller - Carbon Gray

CONCAVE / INSIDE CURVE



NOTE: ALL DIMENSIONS APPROXIMATE

- ELECTRICAL JUNCTION BOX (SUPPLIED WITH 6" LEADS OR POWER CORD).
- LOCATION OF DRAIN TUBE FOR REMOTE REF. ONLY (SUPPLIED WITH 3/4" OR 1 1/2" PVC TUBE).

- REFRIGERATION LINE CONNECTION.
- REMOTE FLOOR SINK & UTILITIES ACCESS AREA.

- SELF-CONTAINED CASE SERVICE ACCESS AREA.
- DRY CASE SERVICE ACCESS AREA.