

Cheese - GLDSS 43"H Refrigerated Low-Capacity Self-Service Case - Remote DX w/ Dixell Controller - Carbon Gray

DIMENSIONS / SHIPPING				
Model	L"	L1"	L2"	Est Wt (lbs)
GLDSS443R.5741-A.6527	48.750	51.250	3.500	N/A
GLDSS543R.5741-A.6527	60.500	63.000	3.500	N/A
GLDSS643R.5741-A.6527	74.500	77.000	3.500	N/A
GLDSSX443R.5741-A.6527	38.750	N/A	4.250	N/A
GLDSSX243R.5741-A.6527	47.625	N/A	4.500	N/A
GLDSSX180R.5741-A.6527	101.375	N/A	27.625	N/A
GLDSSN243R.5741-A.6527	29.250	N/A	8.000	N/A
GLDSSN443R.5741-A.6527	56.375	N/A	15.125	N/A

ELECTRICAL															
Model	System Circuit Volts			Ph	Frq	Rated Load Amps	Min Cir Amps	Max OCP Amps	Watts	Wires	NEMA Plug	Amps Lights	Amps Fans	Amps Anti-Sweats	Amps Misc/Refrig/Heat
GLDSS443R.5741-A.6527	Remote(DX)	Circuit #1	110-120	1	60	1.18	15	15	42	2+G	Leads Multiple	0.70	0.30	0.18	N/A
GLDSS543R.5741-A.6527	Remote(DX)-Type I Env	Circuit #1	110-120	1	60	1.55	15	15	77	2+G	Leads Multiple	0.70	0.62	0.23	N/A
GLDSS643R.5741-A.6527	Remote(DX)	Circuit #1	110-120	1	60	1.56	15	15	69	2+G	Leads Multiple	0.70	0.60	0.26	N/A
GLDSSX443R.5741-A.6527	Remote(DX)	Circuit #1	110-120	1	60	1.04	15	15	21	2+G	Leads Multiple	0.70	0.30	0.04	N/A
GLDSSX243R.5741-A.6527	Remote(DX)	Circuit #1	110-120	1	60	1.12	15	15	32	2+G	Leads Multiple	0.70	0.30	0.12	N/A
GLDSSX180R.5741-A.6527	Remote(DX)	Circuit #1	110-120	1	60	4.16	15	15	81	2+G	Leads Multiple	2.80	1.20	0.16	N/A
GLDSSN243R.5741-A.6527	CONTACT FACTORY FOR UPDATED INFORMATION														
GLDSSN443R.5741-A.6527	CONTACT FACTORY FOR UPDATED INFORMATION														

REFRIGERATION															
Model	Zone	Section	System	Envt	REMOTE REFRIGERATION					GLYCOL / R744 REFRIGERATION					
					SST (°F)	Conv. Rack BTUH	Para. Rack BTUH	Defrost Interval (Hrs)	Defrost Duration (Mins)	Total GPM	Pressure Drop (psi)	Concent (%)	Liquid Temp (°F)		
GLDSS443R.5741-A.6527	All	Main	Remote-DX	Type I	26	3,197	2,960	4.00	30.00	N/A	N/A	N/A	N/A		
GLDSS543R.5741-A.6527	All	Main	Remote-DX-Type I Env	Type I	26	4,039	3,740	4.00	30.00	N/A	N/A	N/A	N/A		
	All	Main	Remote-DX-Type I Env	Type I	26	4,061	3,760	4.00	30.00	N/A	N/A	N/A	N/A		
GLDSS643R.5741-A.6527	All	Main	Remote-DX	Type I	26	3,456	3,200	4.00	30.00	N/A	N/A	N/A	N/A		
GLDSSX443R.5741-A.6527	All	Main	Remote-DX	Type I	26	1,469	1,360	4.00	30.00	N/A	N/A	N/A	N/A		
GLDSSX243R.5741-A.6527	All	Main	Remote-DX	Type I	26	2,527	2,340	4.00	30.00	N/A	N/A	N/A	N/A		
GLDSSX180R.5741-A.6527	All	Main	Remote-DX	Type I	26	5,875	5,440	4.00	30.00	N/A	N/A	N/A	N/A		
GLDSSN243R.5741-A.6527	CONTACT FACTORY FOR UPDATED INFORMATION														
GLDSSN443R.5741-A.6527	CONTACT FACTORY FOR UPDATED INFORMATION														

INTENDED ENVIRONMENT		
Type I - Designed to operate in ambient conditions of 75°F with 55% relative humidity unless noted otherwise under Envt above.		
WARMEST AVERAGE PRODUCT TEMP & INTENDED USE OF ZONES		
Zone	Temp (°F)	Intended Use
1	38	Packaged refrigerated products

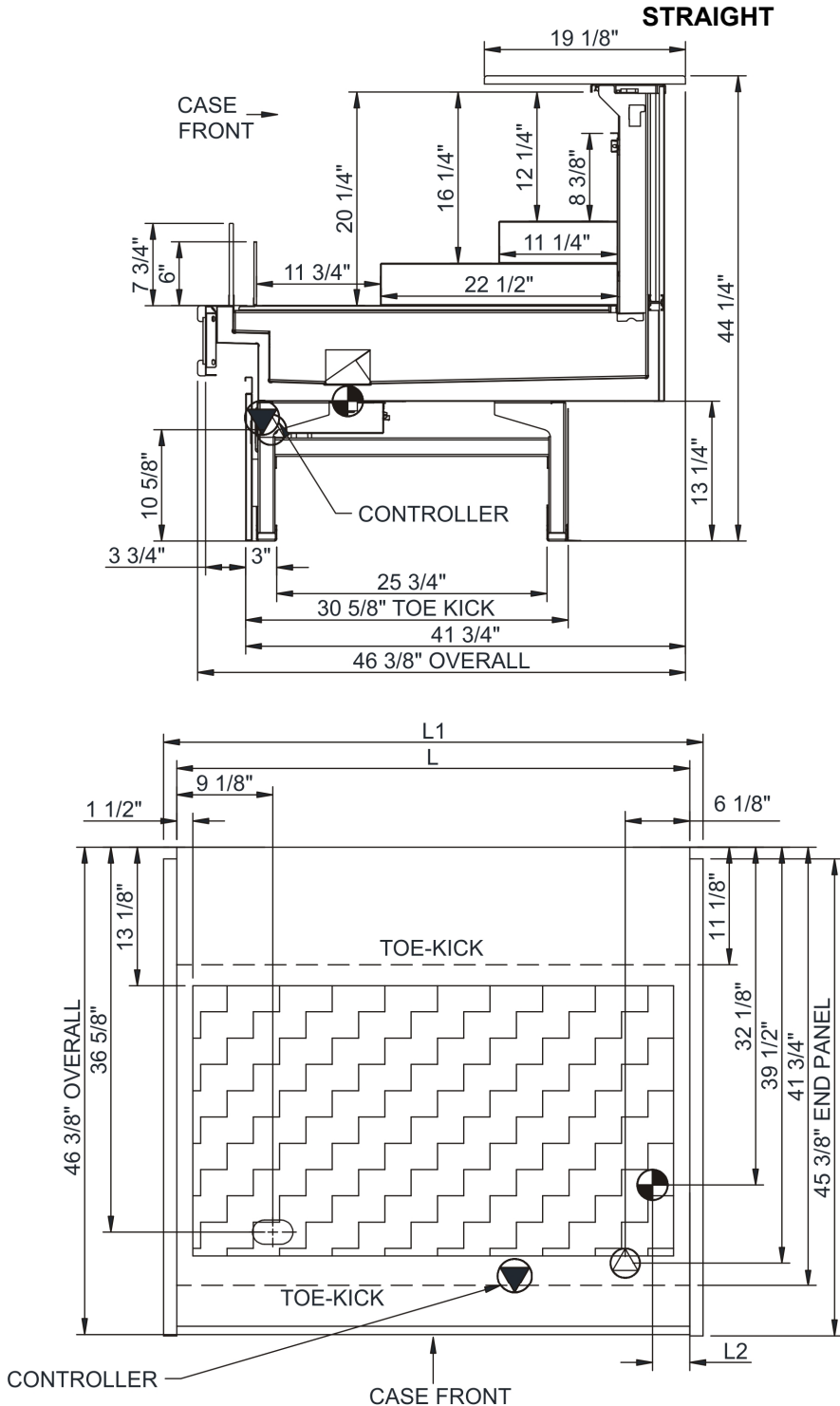
IMPORTANT NOTES
Units must be shimmed during installation to ensure the unit is level and plumb.

REGULATORY	
All Models	Accordance with AHRI Std 1200 ETL Listed to UL 471 ETL Listed to CAN/CSA 22.2 No. 120 ETL Sanitation to NSF/ANSI 7

In Accordance with
AHRI Std 1200



Cheese - GLDSS 43"H Refrigerated Low-Capacity Self-Service Case - Remote DX w/ Dixell Controller - Carbon Gray



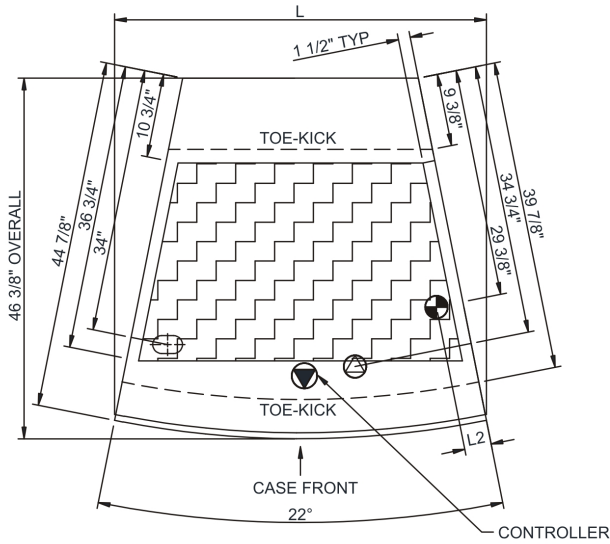
GLDSS443R.5741, GLDSS443R.6527, GLDSS443R(G).5741
 GLDSS443RC.5741.6527, GLDSS443RC.5741.7716 GLDSS543R.5741
 GLDSS543R.6527, GLDSS543R(G).5741, GLDSS543RC.5741.6527
 GLDSS543RC.5741.7716, GLDSS643R.5741, GLDSS643R.6527
 GLDSS643R(G).5741, GLDSS643RC.5741.6527, GLDSS643RC.5741.7716

NOTE: ALL DIMENSIONS APPROXIMATE

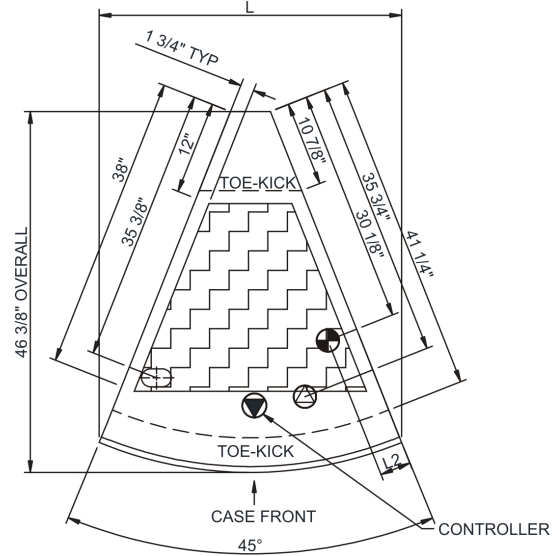
- ⊗ ELECTRICAL JUNCTION BOX (SUPPLIED WITH 6" LEADS OR POWER CORD).
- ⊕ REFRIGERATION LINE CONNECTION.
- ⊙ LOCATION OF DRAIN TUBE FOR REMOTE REF. ONLY (SUPPLIED WITH 3/4" OR 1 1/2" PVC TUBE).
- ⊞ REMOTE FLOOR SINK & UTILITIES ACCESS AREA.
- ⊞ SELF-CONTAINED CASE SERVICE ACCESS AREA.
- ⊞ DRY CASE SERVICE ACCESS AREA.

Cheese - GLDSS 43"H Refrigerated Low-Capacity Self-Service Case - Remote DX w/ Dixell Controller - Carbon Gray

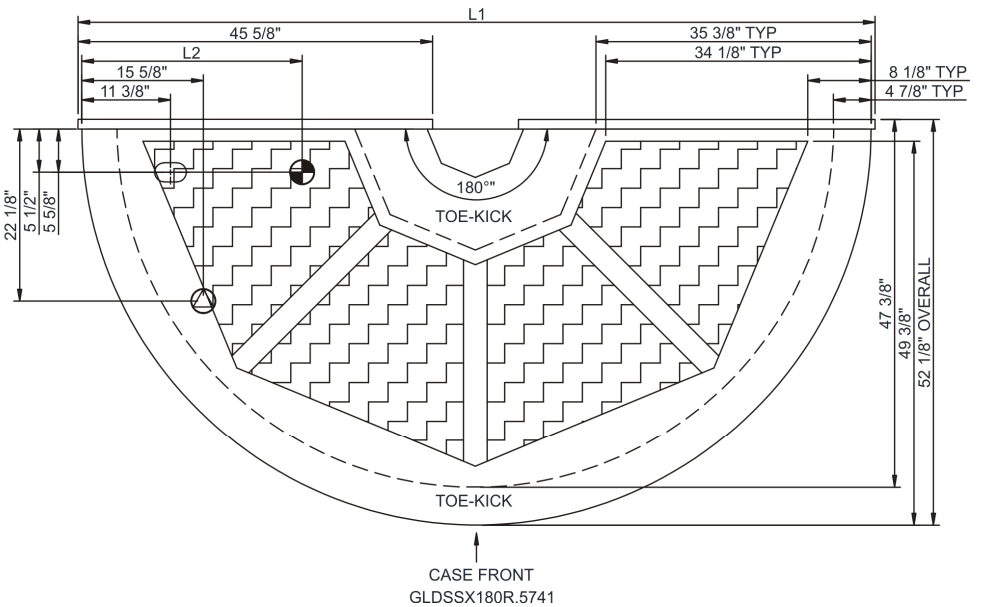
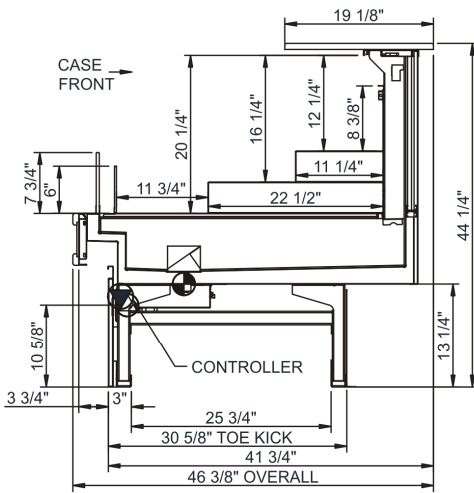
CONVEX / OUTSIDE CURVE



GLDSSX243R.5741, GLDSSX243R(G).5741, GLDSSX243R.6527, GLDSSX243R.5741.6527, GLDSSX243RC.5741.7716



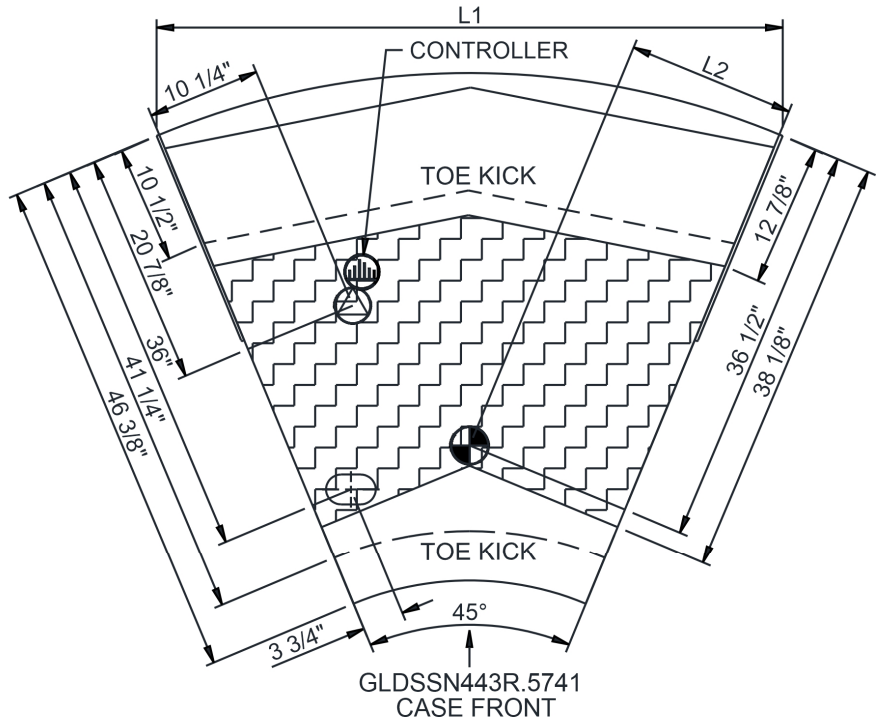
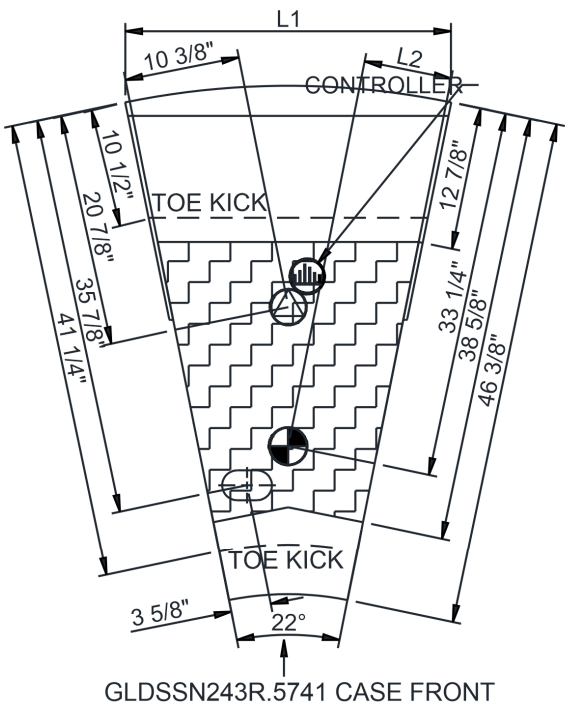
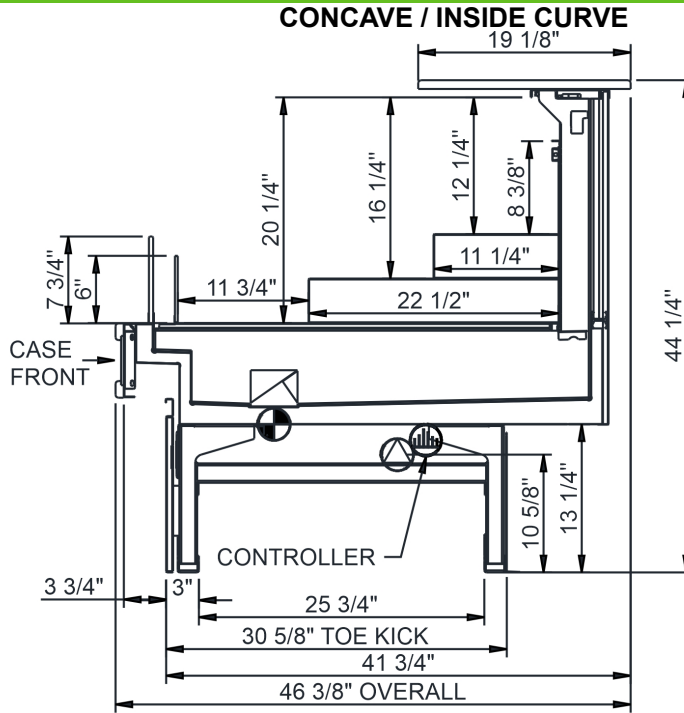
GLDSSX443R.5741, GLDSSX443R(G).5741, GLDSSX443R.6527, GLDSSX443RC.5741.6527, GLDSSX443RC.5741.7716



NOTE: ALL DIMENSIONS APPROXIMATE

-  ELECTRICAL JUNCTION BOX (SUPPLIED WITH 6" LEADS OR POWER CORD).
-  REFRIGERATION LINE CONNECTION.
-  SELF-CONTAINED CASE SERVICE ACCESS AREA.
-  LOCATION OF DRAIN TUBE FOR REMOTE REF. ONLY (SUPPLIED WITH 3/4" OR 1 1/2" PVC TUBE).
-  REMOTE FLOOR SINK & UTILITIES ACCESS AREA.
-  DRY CASE SERVICE ACCESS AREA.

Cheese - GLDSS 43"H Refrigerated Low-Capacity Self-Service Case - Remote DX w/ Dixell Controller - Carbon Gray



NOTE: ALL DIMENSIONS APPROXIMATE

- ⊗ ELECTRICAL JUNCTION BOX (SUPPLIED WITH 6" LEADS OR POWER CORD).
- ⊙ LOCATION OF DRAIN TUBE FOR REMOTE REF. ONLY (SUPPLIED WITH 3/4" OR 1 1/2" PVC TUBE).

- ⊕ REFRIGERATION LINE CONNECTION.
- ⊞ REMOTE FLOOR SINK & UTILITIES ACCESS AREA.

- ▨ SELF-CONTAINED CASE SERVICE ACCESS AREA.
- ▩ DRY CASE SERVICE ACCESS AREA.