

Technical Information

Structural Concepts®

DELIVERING FRESH. ALWAYS.™

Cheese - GLDSS 43"H Refrigerated Low-Capacity Self-Service Case - Remote DX
Carbon Gray

DIMENSIONS / SHIPPING				
Model	L"	L1"	L2"	Est Wt (lbs)
GLDSS443R.5741-A	48.750	51.250	3.500	N/A
GLDSS543R.5741-A	60.500	63.000	3.500	N/A
GLDSS643R.5741-A	74.500	77.000	3.500	N/A
GLDSSX443R.5741-A	38.750	N/A	4.250	N/A
GLDSSX243R.5741-A	47.625	N/A	4.500	N/A
GLDSSX180R.5741-A	102.500	N/A	28.375	N/A
GLDSSN243R.5741-A	29.250	N/A	8.000	N/A
GLDSSN443R.5741-A	56.375	N/A	15.125	N/A

ELECTRICAL															
Model	System Circuit Volts			Ph	Frq	Rated Load Amps	Min Cir Amps	Max OCP Amps	Watts	Wires	NEMA Plug	Amps Lights	Amps Fans	Amps Anti-Sweats	Amps Misc/Refrig/Heat
GLDSS443R.5741-A	Remote (DX)	Circuit #1	110-120	1	60	1.18	15	15	42	2+G	Leads Multiple	0.70	0.30	0.18	N/A
GLDSS543R.5741-A	Remote (DX)	Circuit #1	110-120	1	60	1.41	15	15	49	2+G	Leads Multiple	0.70	0.60	0.11	N/A
GLDSS643R.5741-A	Remote (DX)	Circuit #1	110-120	1	60	1.56	15	15	68	2+G	Leads Multiple	0.70	0.60	0.26	N/A
GLDSSX443R.5741-A	Remote (DX)	Circuit #1	110-120	1	60	1.04	15	15	21	2+G	Leads Multiple	0.70	0.30	0.04	N/A
GLDSSX243R.5741-A	Remote (DX)	Circuit #1	110-120	1	60	1.12	15	15	32	2+G	Leads Multiple	0.70	0.30	0.12	N/A
GLDSSX180R.5741-A	Remote (DX)	Circuit #1	110-120	1	60	4.16	15	15	80	2+G	Leads Multiple	2.80	1.20	0.16	N/A
GLDSSN243R.5741-A	Remote (DX)-Type I Env	Circuit #1	110-120	1	60	1.12	15	15	37	2+G	Leads Multiple	0.70	0.31	0.11	N/A
GLDSSN443R.5741-A	Remote (DX)-Type I Env	Circuit #1	110-120	1	60	1.50	15	15	69	2+G	Leads Multiple	0.70	0.62	0.18	N/A

REFRIGERATION															
Model	Zone	Section	System	Envt	REMOTE REFRIGERATION				GLYCOL / R744 REFRIGERATION						
					SST (°F)	Conv. Rack BTUH	Para. Rack BTUH	Defrost Interval (Hrs)	Defrost Duration	Total GPM	Pressure Drop (psi)	Concent (%)	Liquid Temp (°F)		
GLDSS443R.5741-A	All	Main	Remote-DX	Type I	26	3,197	2,960	4.00	30.00	N/A	N/A	N/A	N/A		
GLDSS543R.5741-A	All	Main	Remote-DX	Type I	26	4,061	3,760	4.00	30.00	N/A	N/A	N/A	N/A		
GLDSS643R.5741-A	All	Main	Remote-DX	Type I	26	3,456	3,200	4.00	30.00	N/A	N/A	N/A	N/A		
GLDSSX443R.5741-A	All	Main	Remote-DX	Type I	26	1,469	1,360	4.00	30.00	N/A	N/A	N/A	N/A		
GLDSSX243R.5741-A	All	Main	Remote-DX	Type I	26	2,527	2,340	4.00	30.00	N/A	N/A	N/A	N/A		
GLDSSX180R.5741-A	All	Main	Remote-DX	Type I	26	5,875	5,440	4.00	30.00	N/A	N/A	N/A	N/A		
GLDSSN243R.5741-A	All	Refrigerator	Remote-DX-Type I Env	Type I	26	1,460	1,352	4.00	30.00	N/A	N/A	N/A	N/A		
GLDSSN443R.5741-A	All	Refrigerator	Remote-DX-Type I Env	Type I	24	2,700	2,500	4.00	30.00	N/A	N/A	N/A	N/A		

INTENDED ENVIRONMENT
Type I - Designed to operate in ambient conditions of 75°F with 55% relative humidity unless noted otherwise under Envt above.

IMPORTANT NOTES
1) Units must be shimmed during installation to ensure the unit is level and plumb.

WARMEST AVERAGE PRODUCT TEMP & INTENDED USE OF ZONES		
Zone	Temp (°F)	Intended Use
1	38	Packaged refrigerated products

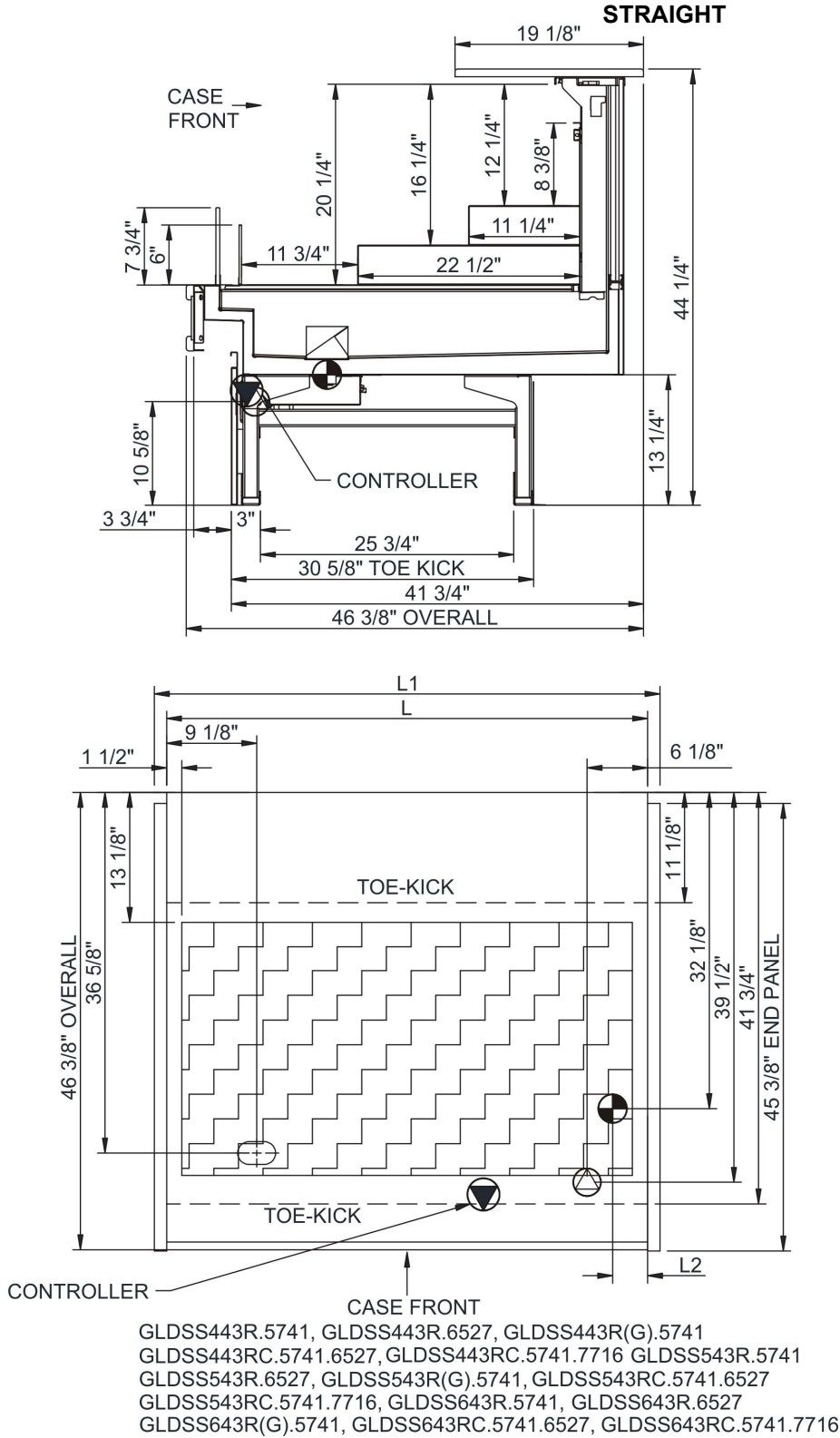
REGULATORY	
All Models	Accordance with AHRI Std 1200 ETL Listed to UL 471 ETL Listed to CAN/CSA 22.2 No. 120 ETL Sanitation to NSF/ANSI 7



In Accordance with
AHRI Std 1200

Technical Information

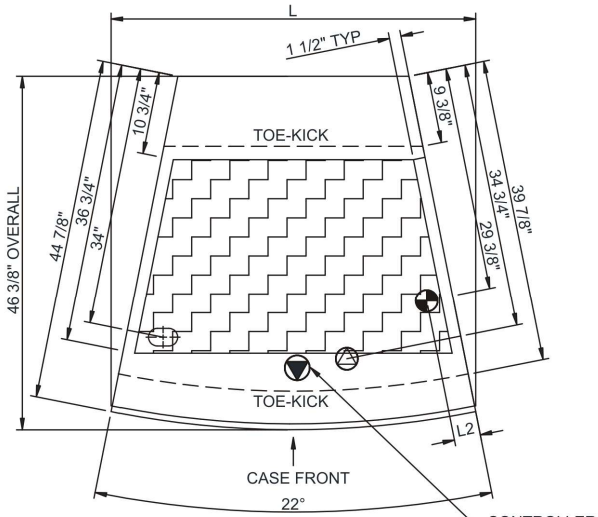
Cheese - GLDSS 43"H Refrigerated Low-Capacity Self-Service Case - Remote DX
Carbon Gray



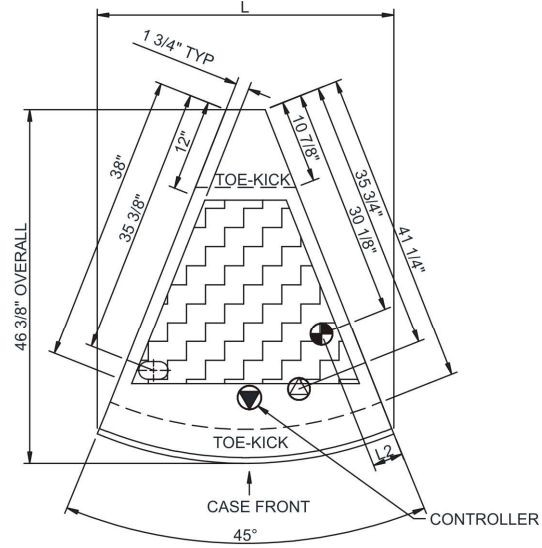
NOTE: ALL DIMENSIONS APPROXIMATE

-  ELECTRICAL JUNCTION BOX (SUPPLIED WITH 6" LEADS OR POWER CORD).
-  REFRIGERATION LINE CONNECTION.
-  SELF-CONTAINED CASE SERVICE ACCESS AREA.
-  LOCATION OF DRAIN TUBE FOR REMOTE REF. ONLY (SUPPLIED WITH 3/4" OR 1 1/2" PVC TUBE).
-  REMOTE FLOOR SINK & UTILITIES ACCESS AREA.
-  DRY CASE SERVICE ACCESS AREA.

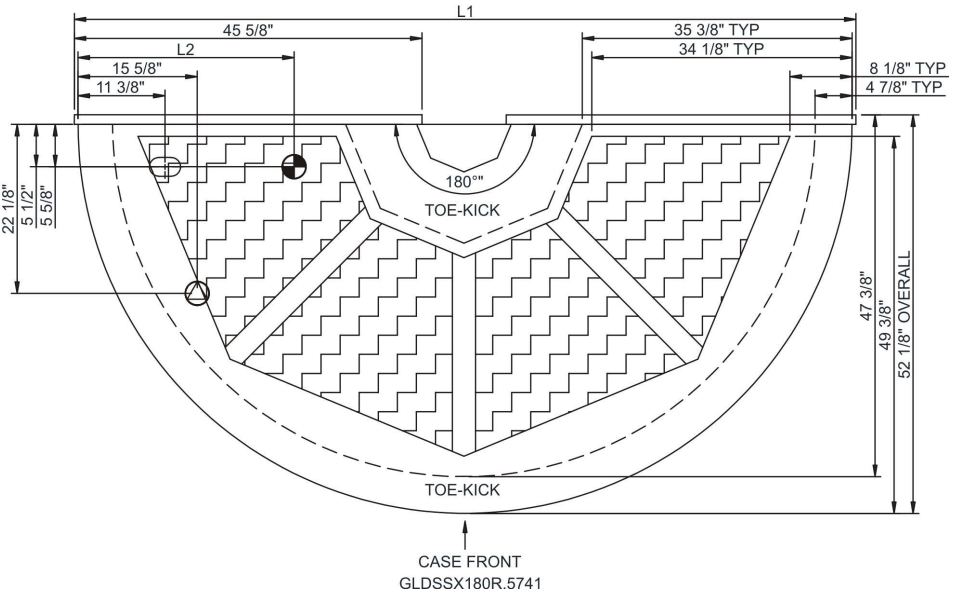
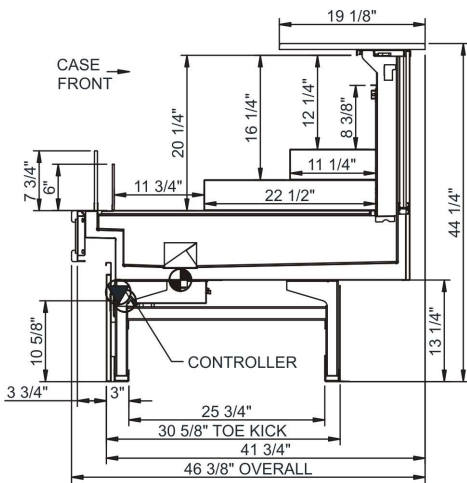
CONVEX / OUTSIDE CURVE



GLDSSX243R.5741, GLDSSX243R(G).5741, GLDSSX243R.6527,
GLDSSX243R.5741.6527, GLDSSX243RC.5741.7716



GLDSSX443R.5741, GLDSSX443R(G).5741, GLDSSX443R.6527,
GLDSSX443RC.5741.6527, GLDSSX443RC.5741.7716



NOTE: ALL DIMENSIONS APPROXIMATE

⊗ ELECTRICAL JUNCTION BOX
(SUPPLIED WITH 6" LEADS OR POWER CORD).
⊙ LOCATION OF DRAIN TUBE FOR REMOTE REF.
ONLY (SUPPLIED WITH 3/4" OR 1 1/2" PVC TUBE).

⊕ REFRIGERATION LINE CONNECTION.
⊞ REMOTE FLOOR SINK & UTILITIES
ACCESS AREA.

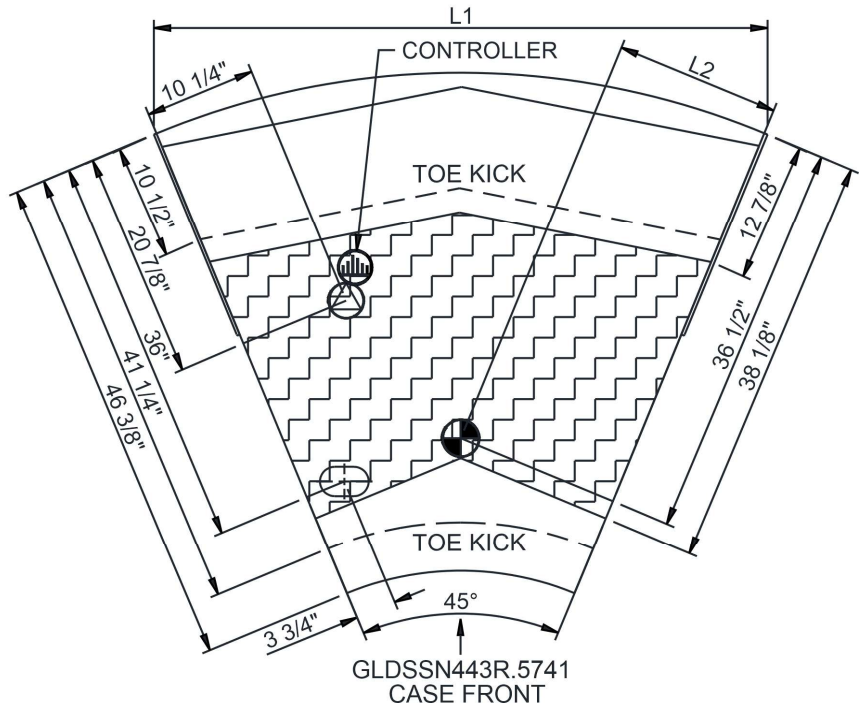
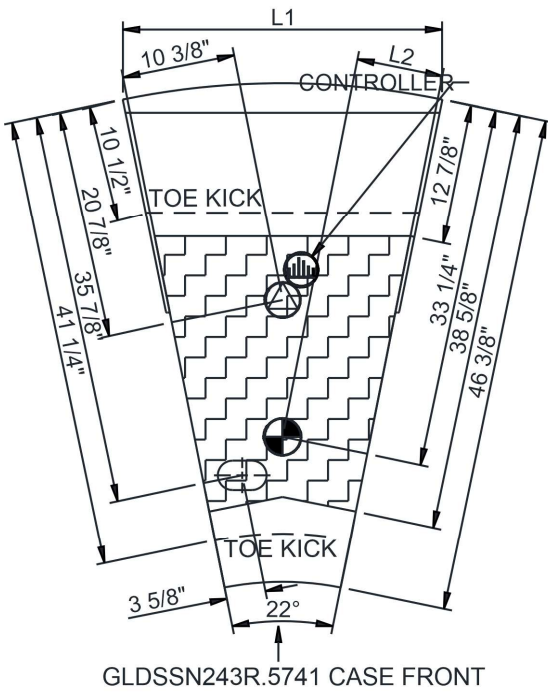
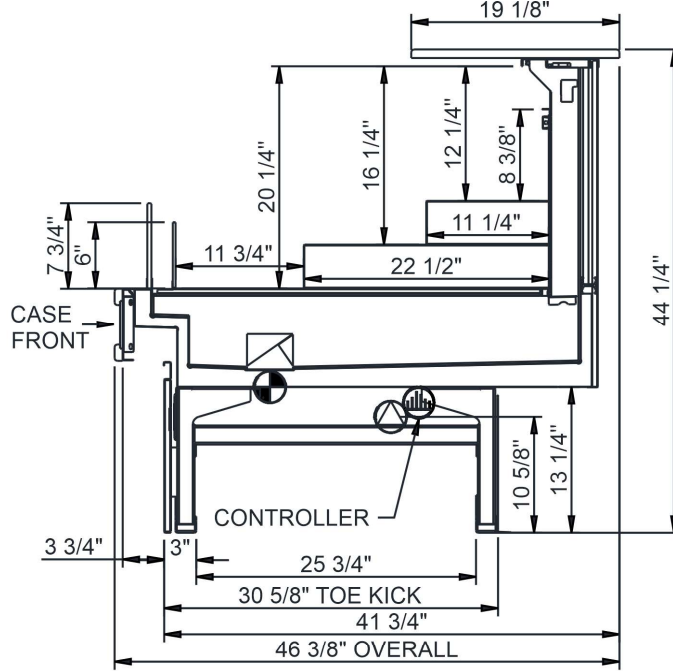
▨ SELF-CONTAINED CASE SERVICE ACCESS AREA.
▩ DRY CASE SERVICE ACCESS AREA.

Technical Information

Cheese - GLDSS 43"H Refrigerated Low-Capacity Self-Service Case - Remote DX
Carbon Gray

Structural Concepts®
DELIVERING FRESH. ALWAYS.™

CONCAVE / INSIDE CURVE



NOTE: ALL DIMENSIONS APPROXIMATE

⊗ ELECTRICAL JUNCTION BOX
(SUPPLIED WITH 6" LEADS OR POWER CORD).
⊙ LOCATION OF DRAIN TUBE FOR REMOTE REF.
ONLY (SUPPLIED WITH 3/4" OR 1 1/2" PVC TUBE).

⊕ REFRIGERATION LINE CONNECTION.
⊞ REMOTE FLOOR SINK & UTILITIES
ACCESS AREA.

▨ SELF-CONTAINED CASE SERVICE ACCESS AREA.
▩ DRY CASE SERVICE ACCESS AREA.