

# Fusion

11" Filler Shelving Case For Cheese

Structural Concepts®

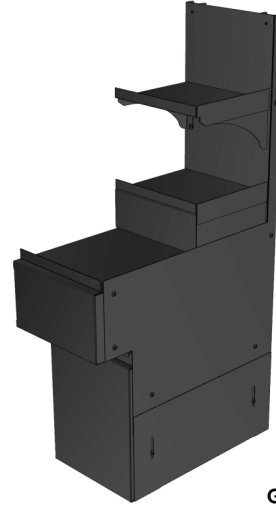
DELIVERING FRESH. ALWAYS.™

Lengths do not include end panels

- **GLDSS1143D.8050** 11-1/8"L x 23-1/4"D x 43-1/4"H

## Included

- One year parts & labor warranty

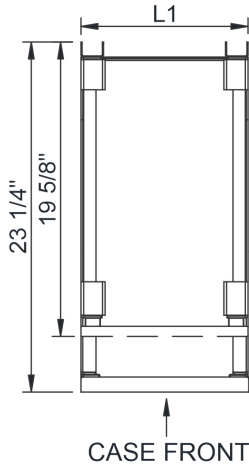


GLDSS1143D.8050

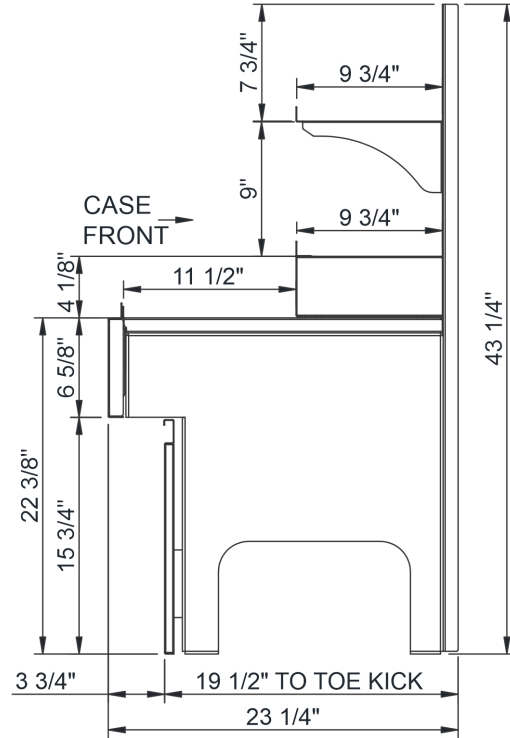
Specify	Standard Features	Additional Options
EXTERIOR COLOR	• Powder coated Silversan Black	
LOWER FRONT PANEL COLOR	• Powder coated Silversan Black	
UPPER FRONT PANEL COLOR	• Powder coated Silversan Black	
BASE SUPPORT	• Rail system for shims	
BUMPER END	• None	
END PANELS	• None	
INTERIOR	• Powder coated Silversan Black	

<b>Intended Environment:</b> Type I - Designed to operate in ambient conditions of 75°F with 55% relative humidity unless noted otherwise in system information below.	
<b>Zone</b> 1	<b>Intended Product To Be Displayed</b> Warmest Avg Prod Temp ° F

PLAN VIEW



SIDE VIEW



NOTE: ALL DIMENSIONS APPROXIMATE

- ELECTRICAL JUNCTION BOX (SUPPLIED WITH 6" LEADS OR POWER CORD).
- LOCATION OF DRAIN TUBE FOR REMOTE REF. ONLY (SUPPLIED WITH 3/4" OR 1 1/2" PVC TUBE).

- REFRIGERATION LINE CONNECTION.
- REMOTE FLOOR SINK & UTILITIES ACCESS AREA.

- SELF-CONTAINED CASE SERVICE ACCESS AREA.
- DRY CASE SERVICE ACCESS AREA.

Model Technical Specifications																
Model	L"	L1"	L2"	System Circuit Volts			Phs	Freq	Amps ***	Watts	Wires	NEMA Plug	SST	Conv. Rack BTUH	Para. Rack BTUH	Est Wt
GLDSS1143D.8050	11.13	N/A	.00	None (N/A)	N/A	N/A	1&3	N/A	0.00	0			N/A	N/A	N/A	N/A

\*\*\* Does not include electric defrost on freezer models.

**Regulatory Approvals:**  
None



**Important Notes:**

**⚠ WARNING:** This product can expose you to chemicals, including Urethane (Ethyl Carbamate), which are known to the State of California to cause cancer and birth defects or other reproductive harm. For more information go to [www.P65Warnings.ca.gov](http://www.P65Warnings.ca.gov).