

# Fusion

10" Filler Shelving Case For Cheese - Clear Cherry Veneer

**Structural Concepts®**

DELIVERING FRESH. ALWAYS.™

Lengths do not include end panels

- **GLDSS1043D.5741** 12-1/8"L x 27-3/4"D x 43-1/4"H
- **GLDSS1043D.5741A** 12-1/8"L x 27-3/4"D x 43-1/4"H

## Included

- One year parts & labor warranty

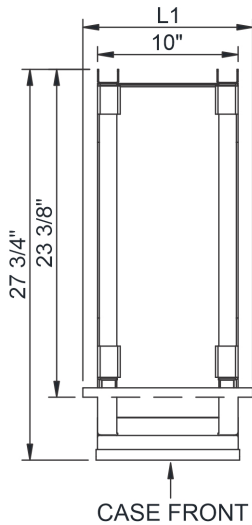


GLDSS1043D.5741

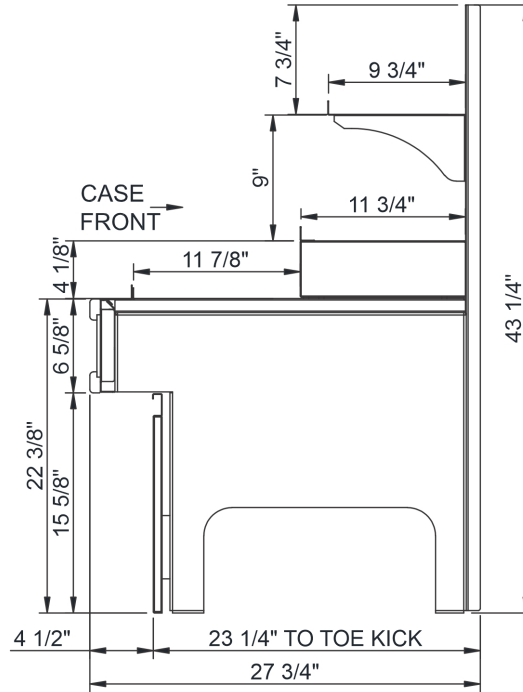
Specify	Standard Features	Additional Options
<b>EXTERIOR COLOR</b>	• Cherry veneer	• Carbon Gray Cherry Veneer
<b>INTERIOR COLOR</b>	• Powder coated Silversan Black	
<b>LOWER FRONT PANEL COLOR</b>	• Powder coated Silversan Black	
<b>UPPER FRONT PANEL COLOR</b>	• Cherry veneer	• Carbon Gray Cherry Veneer
<b>BASE SUPPORT</b>	• Rail system for shims	
<b>BUMPER END</b>	• None	
<b>END PANELS</b>	• None	

<b>Intended Environment:</b> Type I - Designed to operate in ambient conditions of 75°F with 55% relative humidity unless noted otherwise in system information below.	
<b>Zone</b> 1	<b>Intended Product To Be Displayed</b>  <b>Warmest Avg Prod Temp ° F</b>

PLAN VIEW



SIDE VIEW



NOTE: ALL DIMENSIONS APPROXIMATE

- ELECTRICAL JUNCTION BOX (SUPPLIED WITH 6" LEADS OR POWER CORD).
- LOCATION OF DRAIN TUBE FOR REMOTE REF. ONLY (SUPPLIED WITH 3/4" OR 1 1/2" PVC TUBE).

- REFRIGERATION LINE CONNECTION.
- REMOTE FLOOR SINK & UTILITIES ACCESS AREA.

- SELF-CONTAINED CASE SERVICE ACCESS AREA.
- DRY CASE SERVICE ACCESS AREA.

Model Technical Specifications																
Model	L"	L1"	L2"	System Circuit Volts			Phs	Freq	Amps ***	Watts	Wires	NEMA Plug	SST	Conv. Rack BTUH	Para. Rack BTUH	Est Wt
GLDSS1043D.5741	12.13	N/A	.00	None (N/A)	N/A	N/A	1&3	N/A	0.00	0			N/A	N/A	N/A	N/A
GLDSS1043D.5741A	12.13	N/A	.00	None (N/A)	N/A	N/A	1&3	N/A	0.00	0			N/A	N/A	N/A	N/A

\*\*\* Does not include electric defrost on freezer models.

**Regulatory Approvals:**  
None



**Important Notes:**

**⚠ WARNING:** This product can expose you to chemicals, including Urethane (Ethyl Carbamate), which are known to the State of California to cause cancer and birth defects or other reproductive harm. For more information go to [www.P65Warnings.ca.gov](http://www.P65Warnings.ca.gov).