

# Technical Information

Fusion - GHSV 56"H Refrigerated Service Case

Structural Concepts®

DELIVERING FRESH. ALWAYS.™

## DIMENSIONS / SHIPPING

Model	L"	L1"	L2"	Est Wt (lbs)
GHSV456RLB	48.750	51.000	3.625	N/A
GHSV556RLB	60.500	62.750	3.625	N/A
GHSV656RLB	73.125	75.375	3.625	N/A
GHSV856RLB	97.500	99.750	3.625	N/A
GHSV1256RLB	146.250	148.500	101.125	N/A

## ELECTRICAL

Model	System	Circuit Volts	Ph	Frq	Rated Load Amps	Min Cir Amps	Max OCP Amps	Watts	Wires	NEMA Plug	Amps Lights	Amps Fans	Amps Anti-Sweats	Amps Misc/Refrig/Heat	
GHSV456RLB	Remote (DX)	Circuit #1	110-120	1	60	1.84	15	15	83	2+G	Leads Multiple	0.70	0.30	0.84	N/A
GHSV556RLB	Remote (DX)	Circuit #1	110-120	1	60	2.94	15	15	142	2+G	Leads Single	1.40	0.62	0.92	N/A
GHSV656RLB	Remote (DX)	Circuit #1	110-120	1	60	2.96	15	15	158	2+G	Leads Multiple	1.40	0.60	0.96	N/A
GHSV856RLB	Remote (DX)-Type I Env	Circuit #1	110-120	1	60	3.76	15	15	176	2+G	Leads Multiple	2.80	0.60	1.06	N/A
	Remote (GLYCOL)-Type I Env	Circuit #1	110-120	1	60	4.51	15	15	131	2+G	Leads Multiple	2.80	0.60	1.06	0.05
	Remote (R744 T)-Type I Env	Circuit #1	110-120	1	60	3.76	15	15	147	2+G	Leads Multiple	2.80	0.60	1.06	N/A
GHSV1256RLB	Remote (DX)	Circuit #1	110-120	1	60	4.95	15	15	265	2+G	Leads Multiple	2.10	0.90	1.95	N/A
	Remote (R744 T)	Circuit #1	110-120	1	60	4.95	15	15	265	2+G	Leads Multiple	2.10	0.90	1.95	N/A

## REFRIGERATION

Model	Zone	Section	System	Envt	REMOTE REFRIGERATION					GLYCOL / R744 REFRIGERATION			
					SST (°F)	Conv. Rack BTUH	Para. Rack BTUH	Defrost Interval (Hrs)	Defrost Duration	Total GPM	Pressure Drop (psi)	Concent (%)	Liquid Temp (°F)
GHSV456RLB	All	Main	Remote-DX	Type I	24	2,030	1,880	4.00	30.00	N/A	N/A	N/A	N/A
GHSV556RLB	All	Refrigerator	Remote-DX	Type I	20	2,916	2,700	4.00	30.00	N/A	N/A	N/A	N/A
GHSV656RLB	All	Main	Remote-DX	Type I	20	3,154	2,920	4.00	30.00	N/A	N/A	N/A	N/A
GHSV856RLB	All	Main	Remote-DX-Type I Env	Type I	20	4,061	3,760	4.00	30.00	N/A	N/A	N/A	N/A
	All	Main	Remote-Glycol-Type I Env	Type I	N/A	4,061	3,760	4.00	45.00	1.25	4.00	35%	20.00
	All	Main	Remote-R744 TRANSCRITICAL-Type I Env	Type I	20	4,061	3,760	4.00	30.00	N/A	N/A	N/A	N/A
GHSV1256RLB	All	Main	Remote-DX	Type I	20	6,048	5,600	4.00	30.00	N/A	N/A	N/A	N/A
	All	Main	Remote-R744 TRANSCRITICAL	Type I	20	6,048	5,600	4.00	30.00	N/A	N/A	N/A	N/A

## INTENDED ENVIRONMENT

Type I - Designed to operate in ambient conditions of 75°F with 55% relative humidity unless noted otherwise under Envt above.

## WARMEST AVERAGE PRODUCT TEMP & INTENDED USE OF ZONES

Zone	Temp (°F)	Intended Use
1	40	Unpackaged refrigerated products

## IMPORTANT NOTES

- 1) ELECTRICAL NOTE: If GFCI is required, a GFCI breaker MUST be used in lieu of a GFCI receptacle.
- 2) 45" minimum door entry clearance required (without shipping skid).
- 3) Units must be shimmed during installation to ensure the unit is level and plumb.

## REGULATORY

All Models  
 Accordance with AHRI Std 1200  
 ETL Listed to UL 471  
 ETL Listed to CAN/CSA 22.2 No. 120  
 ETL Sanitation to NSF/ANSI 7



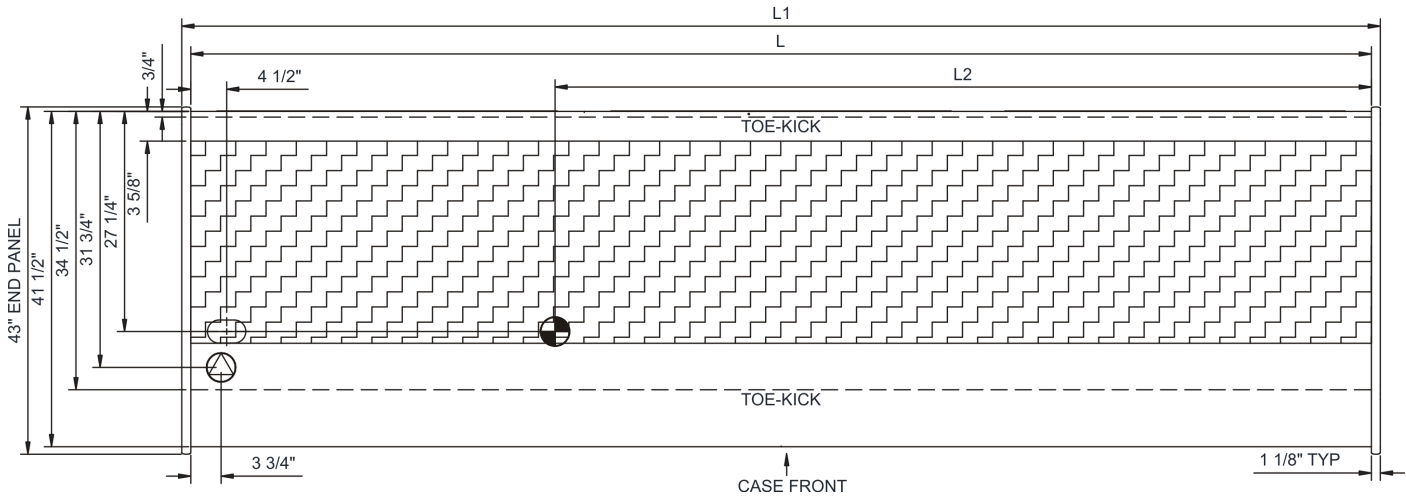
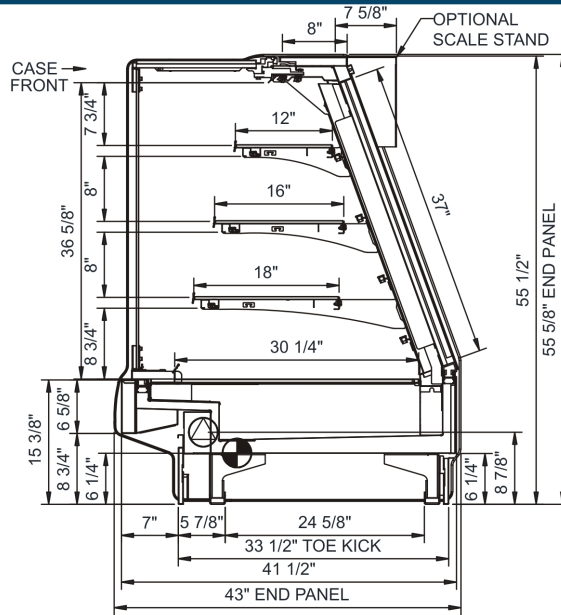
In Accordance with  
**AHRI Std 1200**

# Technical Information

Fusion - GHSV 56"H Refrigerated Service Case

Structural Concepts®

DELIVERING FRESH. ALWAYS.™



NOTE: ALL DIMENSIONS APPROXIMATE

-  ELECTRICAL JUNCTION BOX (SUPPLIED WITH 6" LEADS OR POWER CORD).
-  REFRIGERATION LINE CONNECTION.
-  SELF-CONTAINED CASE SERVICE ACCESS AREA.
-  LOCATION OF DRAIN TUBE FOR REMOTE REF. ONLY (SUPPLIED WITH 3/4" OR 1 1/2" PVC TUBE).
-  REMOTE FLOOR SINK & UTILITIES ACCESS AREA.
-  DRY CASE SERVICE ACCESS AREA.