

Technical Information

Structural Concepts®

DELIVERING FRESH. ALWAYS.™

Fusion - GHSSEH 52"H Refrigerated High-Capacity Self-Service Case - Remote Glycol

DIMENSIONS / SHIPPING				
Model	L"	L1"	L2"	Est Wt (lbs)
GHSSEH452RG.7819	N/A	51.000	5.500	N/A
GHSSEH552RG.7819	N/A	62.750	5.500	N/A
GHSSEH652RG.7819	N/A	75.375	3.500	N/A
GHSSEH852RG.7819	N/A	99.750	3.500	N/A

ELECTRICAL															
Model	System Circuit Volts	Ph	Frq	Rated Load Amps	Min Cir Amps	Max OCP Amps	Watts	Wires	NEMA Plug	Amps Lights	Amps Fans	Amps Anti-Sweats	Amps Misc/Refrig/Heat		
GHSSEH452RG.7819	Remote (GLYCOL)	Circuit #1	110-120	1	60	1.50	15	15	87	2+G	Leads Single	0.70	0.62	0.18	N/A
GHSSEH552RG.7819	CONTACT FACTORY FOR UPDATED INFORMATION														
GHSSEH652RG.7819	Remote (GLYCOL)-Type I Env	Circuit #1	110-120	1	60	2.84	15	15	203	2+G	Leads Multiple	1.40	0.90	0.54	N/A
GHSSEH852RG.7819	Remote (GLYCOL)	Circuit #1	110-120	1	60	2.30	15	15	174	2+G	Leads Single	0.70	1.24	0.36	N/A

REFRIGERATION														
Model	Zone	Section	System	Envt	REMOTE REFRIGERATION					GLYCOL / R744 REFRIGERATION				
					SST (°F)	Conv. Rack BTUH	Para. Rack BTUH	Defrost Interval (Hrs)	Defrost Duration	Total GPM	Pressure Drop (psi)	Concent (%)	Liquid Temp (°F)	
GHSSEH452RG.7819	All	Main	Remote-Glycol	Type I	N/A	4,406	4,080	4.00	45.00	1.00	2.38	35%	20.00	
GHSSEH552RG.7819	CONTACT FACTORY FOR UPDATED INFORMATION													
GHSSEH652RG.7819	All	Main	Remote-Glycol-Type I Env	Type I	N/A	6,480	6,000	4.00	25.00	1.00	2.31	35%	20.00	
GHSSEH852RG.7819	All	Main	Remote-Glycol	Type I	N/A	8,467	7,840	4.00	45.00	1.25	2.38	35%	20.00	

INTENDED ENVIRONMENT		
Type I - Designed to operate in ambient conditions of 75°F with 55% relative humidity unless noted otherwise under Envt above.		
WARMEST AVERAGE PRODUCT TEMP & INTENDED USE OF ZONES		
Zone	Temp (°F)	Intended Use
1	40	Packaged refrigerated products-Prechilled to Warmest Avg Prod Temp.

IMPORTANT NOTES
1) Units must be shimmed during installation to ensure the unit is level and plumb.

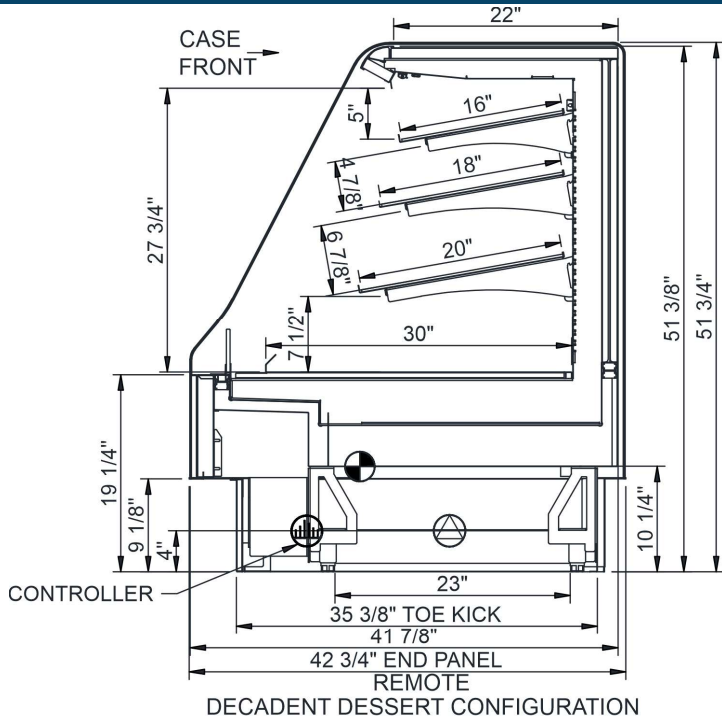
REGULATORY	
All Models	Accordance with AHRI Std 1200 ETL Listed to UL 471 ETL Listed to CAN/CSA 22.2 No. 120 ETL Sanitation to NSF/ANSI 7



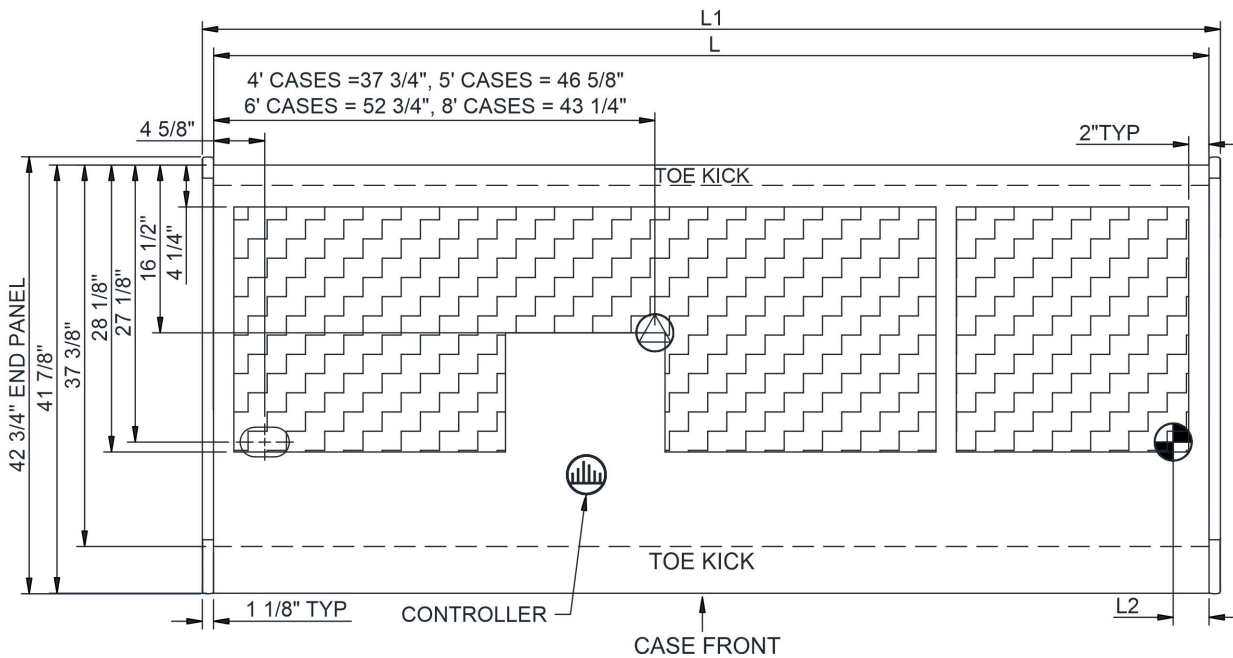
In Accordance with
AHRI Std 1200

Technical Information

Fusion - GHSSEH 52"H Refrigerated High-Capacity Self-Service Case - Remote Glycol



MODEL	w/ CONTROLLER
GHSSEH(L)52RC.7819.6527	CO2 w/ DIXELL XM670
GHSSEH(L)52R.7819.7716	REMOTE DX w/ DANFOSS AK-CC 550A
GHSSEH(L)52RC.7819.7716	CO2 w/ DANFOSS AK-CC 550A
GHSSEH(L)52R.7819.6527	REMOTE DX w/ DIXELL XM679
MODEL	w/o CONTROLLER
GHSSEH(L)52R.7819	REMOTE
GHSSEH(L)52RG.7819	REMOTE GLYCOL



NOTE: ALL DIMENSIONS APPROXIMATE

-  ELECTRICAL JUNCTION BOX (SUPPLIED WITH 6" LEADS OR POWER CORD).
-  REFRIGERATION LINE CONNECTION.
-  SELF-CONTAINED CASE SERVICE ACCESS AREA.
-  LOCATION OF DRAIN TUBE FOR REMOTE REF. ONLY (SUPPLIED WITH 3/4" OR 1 1/2" PVC TUBE).
-  REMOTE FLOOR SINK & UTILITIES ACCESS AREA.
-  DRY CASE SERVICE ACCESS AREA.