

# Technical Information

Fusion - GHSSEH 52"H Refrigerated High-Capacity Self-Service Case - Remote D.

Structural Concepts®

DELIVERING FRESH. ALWAYS.™

DIMENSIONS / SHIPPING				
Model	L"	L1"	L2"	Est Wt (lbs)
GHSSEH452R.7819	N/A	51.000	5.500	N/A
GHSSEH552R.7819	N/A	62.750	5.500	N/A
GHSSEH652R.7819	N/A	75.375	3.500	N/A
GHSSEH852R.7819	N/A	99.750	3.500	N/A

ELECTRICAL															
Model	System Circuit Volts	Ph	Frq	Rated Load Amps	Min Cir Amps	Max OCP Amps	Watts	Wires	NEMA Plug	Amps Lights	Amps Fans	Amps Anti-Sweats	Amps Misc/Refrig/Heat		
GHSSEH452R.7819	Remote (DX)	CONTACT FACTORY FOR UPDATED INFORMATION													
GHSSEH552R.7819	Remote (DX)	Circuit #1	110-120	1	60	1.56	15	15	100	2+G	Leads Multiple	0.70	0.62	0.24	N/A
GHSSEH652R.7819	Remote (DX)	Circuit #1	110-120	1	60	1.89	15	15	112	2+G	Leads Single	0.70	0.90	0.29	N/A
GHSSEH852R.7819	Remote (DX)	CONTACT FACTORY FOR UPDATED INFORMATION													

REFRIGERATION													
Model	Zone	Section	System	Envt	REMOTE REFRIGERATION					GLYCOL / R744 REFRIGERATION			
					SST (°F)	Conv. Rack BTUH	Para. Rack BTUH	Defrost Interval (Hrs)	Defrost Duration	Total GPM	Pressure Drop (psi)	Concent (%)	Liquid Temp (°F)
GHSSEH452R.7819					CONTACT FACTORY FOR UPDATED INFORMATION								
GHSSEH552R.7819	All	Refrigerator	Remote-DX	Type I	26	3,542	3,280	4.00	25.00	N/A	N/A	N/A	N/A
GHSSEH652R.7819	All	Main	Remote-DX	Type I	26	6,480	6,000	4.00	25.00	N/A	N/A	N/A	N/A
GHSSEH852R.7819					CONTACT FACTORY FOR UPDATED INFORMATION								

**INTENDED ENVIRONMENT**  
 Type I - Designed to operate in ambient conditions of 75°F with 55% relative humidity unless noted otherwise under Envt above.

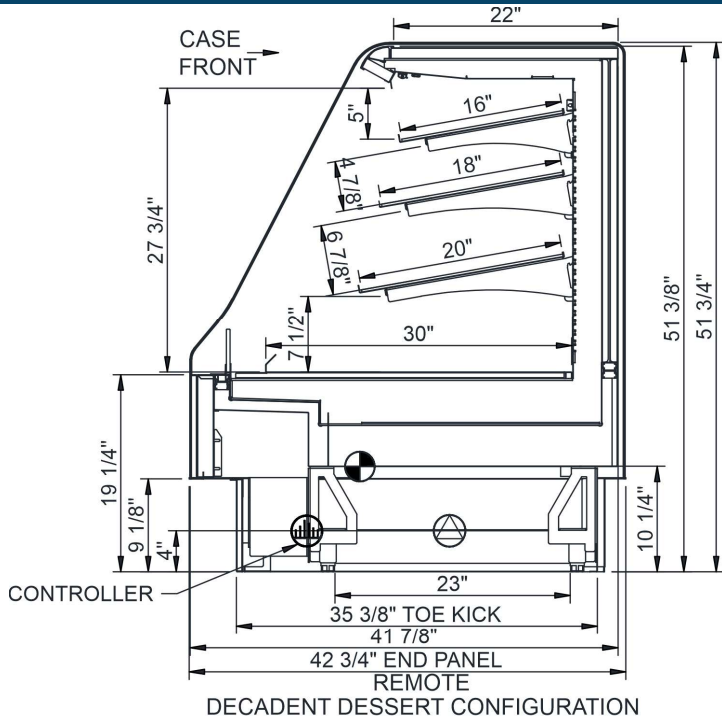
**IMPORTANT NOTES**  
 1) Units must be shimmed during installation to ensure the unit is level and plumb.

WARMEST AVERAGE PRODUCT TEMP & INTENDED USE OF ZONES		
Zone	Temp (°F)	Intended Use
1	40	Packaged refrigerated products-Prechilled to Warmest Avg Prod Temp.

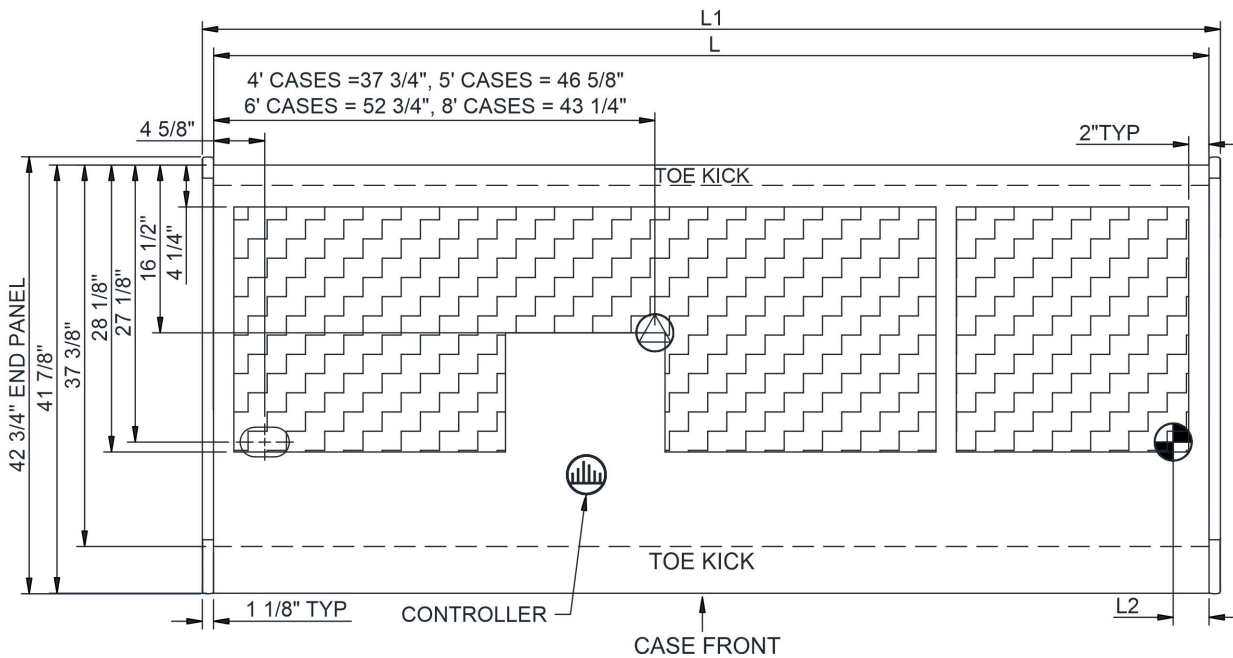
REGULATORY	
All Models	Accordance with AHRI Std 1200 ETL Listed to UL 471 ETL Listed to CAN/CSA 22.2 No. 120 ETL Sanitation to NSF/ANSI 7



In Accordance with  
**AHRI Std 1200**



MODEL	w/ CONTROLLER
GHSSEH(L)52RC.7819.6527	CO2 w/ DIXELL XM670
GHSSEH(L)52R.7819.7716	REMOTE DX w/ DANFOSS AK-CC 550A
GHSSEH(L)52RC.7819.7716	CO2 w/ DANFOSS AK-CC 550A
GHSSEH(L)52R.7819.6527	REMOTE DX w/ DIXELL XM679
MODEL	w/o CONTROLLER
GHSSEH(L)52R.7819	REMOTE
GHSSEH(L)52RG.7819	REMOTE GLYCOL



NOTE: ALL DIMENSIONS APPROXIMATE

-  ELECTRICAL JUNCTION BOX (SUPPLIED WITH 6" LEADS OR POWER CORD).
-  REFRIGERATION LINE CONNECTION.
-  SELF-CONTAINED CASE SERVICE ACCESS AREA.
-  LOCATION OF DRAIN TUBE FOR REMOTE REF. ONLY (SUPPLIED WITH 3/4" OR 1 1/2" PVC TUBE).
-  REMOTE FLOOR SINK & UTILITIES ACCESS AREA.
-  DRY CASE SERVICE ACCESS AREA.