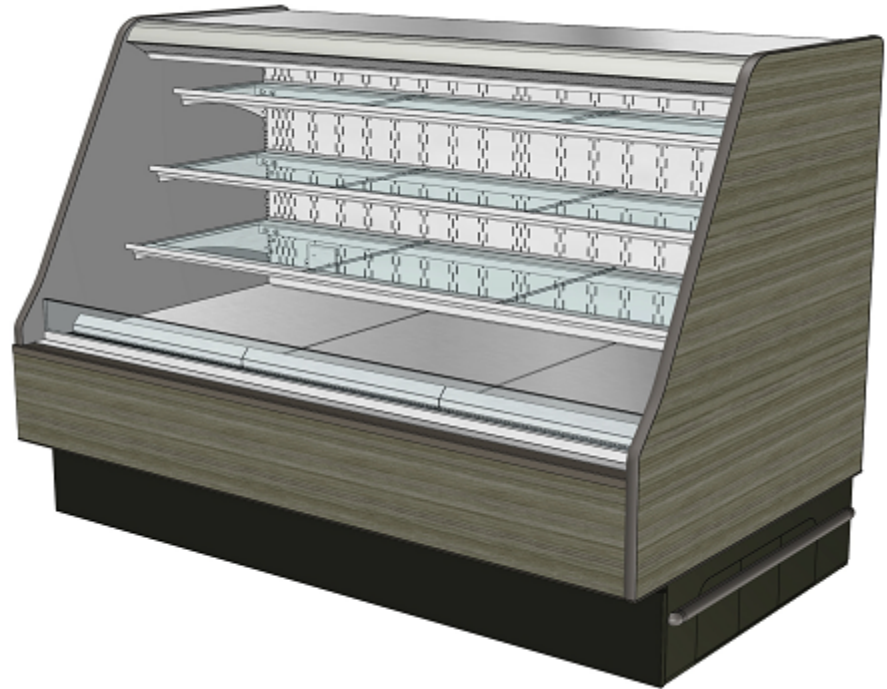


Cake Decorating - GHSSEH 52"H Refrigerated High-Capacity Self-Service Case - Remote DX

Models

GHSSEH452R.7819
 GHSSEH552R.7819
 GHSSEH652R.7819
 GHSSEH852R.7819



Applications

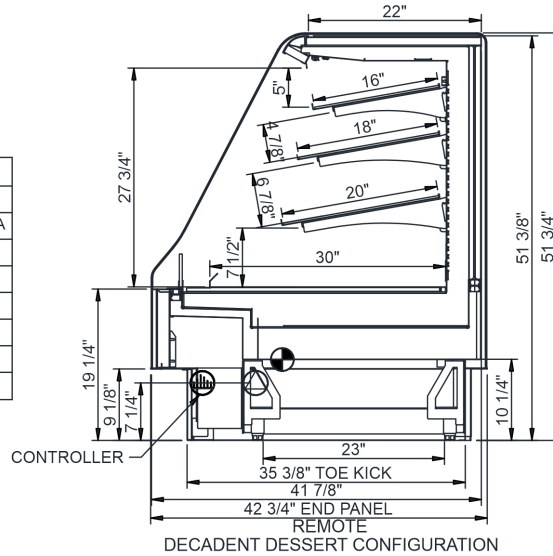
- Refrigerated self-service merchandiser for deli & bakery items.
- Models used in Cake Decorating & Front Facing

Features	Standard	Options
EXTERIOR COLOR	<input type="checkbox"/> Laminated (Portico Teak)	
INTERIOR COLOR	<input type="checkbox"/> Painted (Bronze Pearlescent)	
TRIM COLOR	<input type="checkbox"/> Silver	
BASE SUPPORT	<input type="checkbox"/> Rail system for shims	
BUMPER	<input type="checkbox"/> 1" bumper on front (specify color)	
END PANEL LEFT	<input type="checkbox"/> Full with mirror	
END PANEL RIGHT	<input type="checkbox"/> Full with mirror	
TOE KICK	<input type="checkbox"/> Painted (Bronze Pearlescent)	
UPPER FRONT PANEL	<input type="checkbox"/> Laminated (Portico Teak)	
UPPER REAR	<input type="checkbox"/> Painted (Bronze Pearlescent)	
PRICE TAG MOLDING	<input type="checkbox"/> Price tag molding for deck and shelving	<input type="checkbox"/> None
SHELVING	<input type="checkbox"/> Clear glass shelves, lighted - Cake	<input type="checkbox"/> Clear glass shelves, lighted - Decadent Dessert
LIGHTS	<input type="checkbox"/> LED top & shelf lights	
ELECTRICAL CONNECT	<input type="checkbox"/> Electrical leads (remote)	
FAN MOTORS	<input type="checkbox"/> Energy efficient evaporator fans	
REFRIGERATION	<input type="checkbox"/> Remote DX refrigeration	

Cake Decorating GHSSEH 52"H Refrigerated High-Capacity Self-Service Case - Remote DX

Model	L x D x H (Lengths include end panels)
GHSSEH452R.7819	51"L x 42-3/4"D x 51-3/4"H
GHSSEH52R.7819	62-3/4"L x 42-3/4"D x 51-3/4"H
GHSSEH652R.7819	75-3/8"L x 42-3/4"D x 51-3/4"H
GHSSEH852R.7819*	99-3/4"L x 42-3/4"D x 51-3/4"H

MODEL	w/ CONTROLLER
GHSSEH(L)52RC.7819.6527	CO2 w/ DIXELL XM670
GHSSEH(L)52R.7819.7716	REMOTE DX w/ DANFOSS AK-CC 550A
GHSSEH(L)52RC.7819.7716	CO2 w/ DANFOSS AK-CC 550A
GHSSEH(L)52R.7819.6527	REMOTE DX w/ DIXELL XM679
MODEL	w/o CONTROLLER
GHSSEH(L)52R.7819	REMOTE
GHSSEH(L)52RG.7819	REMOTE GLYCOL
GHSSEH(L)52RSC.7819	SELF-CONTAINED



IMPORTANT NOTES:

1) Units must be shimmed during installation to ensure the unit is level and plumb.

WARNING

This product can expose you to chemicals including Urethane (Ethyl Carbamate), which are known to the State of California to cause cancer and birth defects or other reproductive harm. For more information go to www.P65Warnings.ca.gov.

INTENDED ENVIRONMENT

Designed to operate in ambient conditions of 75°F with 55% relative humidity.

WARMEST AVG PRODUCT TEMP

Zone	Temp (°F)
1	40

INTENDED USE OF DISPLAY AREAS

Zone	Intended Use
1	Packaged refrigerated products

* Additional lead-time required
INFORMATION IS SUBJECT TO CHANGE WITHOUT NOTICE. Visit www.structuralconcepts.com for the most current specs.

