

# Fusion

Heated Self-Service Case

Structural Concepts®

DELIVERING FRESH. ALWAYS.™

• GHSS476H.8110

51"L x 33-3/4"D x 76-3/8"H

## Included

- Heated deck and shelving
- LED top & shelf lights
- One year parts & labor warranty
- Stainless steel rear exterior

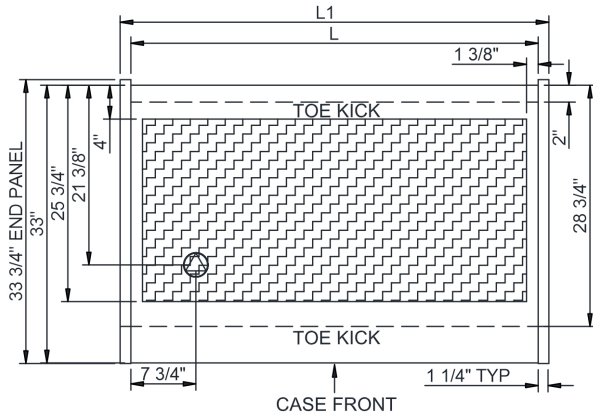


GHSS476H.8110 SHOWN W/  
OPTIONAL REAR DOORS

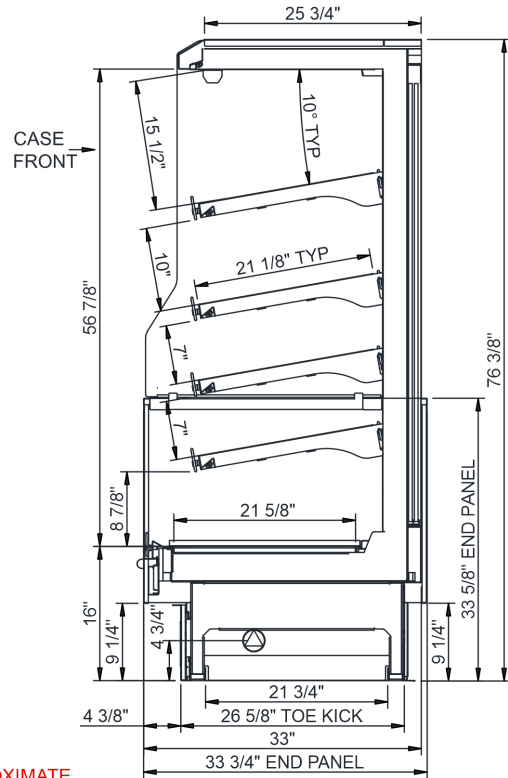
Specify	Standard Features	Additional Options
EXTERIOR COLOR	• Laminated (Xanadu)	• Laminated (Skyline Walnut)
LOWER FRONT PANEL COLOR	• Powder coated Silversan Black	
BASE SUPPORT	• Rail system for shims	
BUMPER FRONT	• None	• 1" bumper (Steel Gray) • 1" bumper (black)
BUMPER RIGHT END		• 1" bumper (Steel Gray) • 1" bumper (black)
END PANELS	• Cutaway w/ glass	• None
REAR DOORS	• None (solid back panel)	• Reflective glass rear sliding doors
SHELVING	• Solid heated shelves, 4 levels	
LIGHTS	• LED 3500K w/ frosted lens	
ELECTRICAL CONNECTION	• Electrical leads	

<b>Intended Environment:</b> Type I - Designed to operate in ambient conditions of 75°F with 55% relative humidity unless noted otherwise in system information below.		
<b>Zone</b>	<b>Intended Product To Be Displayed</b>	<b>Warmest Avg Prod Temp ° F</b>
1	Packaged heated products-Preheated to Warmest Avg Prod Temp.	160

### PLAN VIEW



### SIDE VIEW



NOTE: ALL DIMENSIONS APPROXIMATE

- ELECTRICAL JUNCTION BOX (SUPPLIED WITH 6\"/>
- LOCATION OF DRAIN TUBE FOR REMOTE REF. ONLY (SUPPLIED WITH 3/4\"/>

- REFRIGERATION LINE CONNECTION.
- REMOTE FLOOR SINK & UTILITIES ACCESS AREA.

- SELF-CONTAINED CASE SERVICE ACCESS AREA.
- DRY CASE SERVICE ACCESS AREA.

Model Technical Specifications															
Model	L"	L1"	L2"	System	Circuit Volts	Phs	Freq	Amps ***	Watts	Wires	NEMA Plug	SST	Conv. Rack RTUH	Para. Rack RTUH	Est Wt
GHSS476H.8110	48.50	51.00	.00	Heat (N/A)	Circuit #1	208-240	1	60	34.64	7,556	2+G	Leads Single	N/A	N/A	N/A

\*\*\* Does not include electric defrost on freezer models.

#### Regulatory Approvals:

All Models	ETL Listed to UL 197 ETL Listed to CAN/CSA 22.2 No. 109 ETL Sanitation to NSF/ANSI 4
------------	--



#### Important Notes:

1) ELECTRICAL NOTE: If GFCI is required, a GFCI breaker MUST be used in lieu of a GFCI receptacle.

**⚠ WARNING:** This product can expose you to chemicals, including Urethane (Ethyl Carbamate), which are known to the State of California to cause cancer and birth defects or other reproductive harm. For more information go to [www.P65Warnings.ca.gov](http://www.P65Warnings.ca.gov).