

# Technical Information

Fusion - GHSS 60"H Refrigerated Self-Service Case w/ Curved Profile

Structural Concepts®

DELIVERING FRESH. ALWAYS.™

DIMENSIONS / SHIPPING				
Model	L"	L1"	L2"	Est Wt (lbs)
GHSS460RLB	48.750	51.000	3.500	N/A
GHSS560RLB	60.625	62.875	3.500	N/A
GHSS660RLB	73.125	75.375	3.500	N/A
GHSS860RLB	97.500	99.750	3.500	N/A
GHSS1060RLB	121.125	123.375	40.500	N/A
GHSS1260RLB	146.250	148.500	45.125	N/A

ELECTRICAL															
Model	System Circuit Volts		Ph	Frq	Rated Load Amps	Min Cir Amps	Max OCP Amps	Watts	Wires	NEMA Plug	Amps Lights	Amps Fans	Amps Anti-Sweats	Amps Misc/Refrig/Heat	
GHSS460RLB	Remote (DX)	Circuit #1	110-120	1	60	1.48	15	15	81	2+G	Leads Multiple	0.70	0.60	0.18	N/A
GHSS560RLB	Remote (DX)	Circuit #1	110-120	1	60	2.54	15	15	148	2+G	Leads Single	1.40	0.90	0.24	N/A
GHSS660RLB	Remote (DX)	Circuit #1	110-120	1	60	2.62	15	15	193	2+G	Leads Multiple	1.40	0.93	0.29	N/A
	Remote (GLYCOL)	Circuit #1	110-120	1	60	2.67	15	15	193	2+G	Leads Multiple	1.40	0.93	0.29	0.05
GHSS860RLB	Remote (DX)	Circuit #1	110-120	1	60	3.00	15	15	249	2+G	Leads Multiple	1.40	1.24	0.36	N/A
	Remote (GLYCOL)	Circuit #1	110-120	1	60	3.05	15	15	249	2+G	Leads Multiple	1.40	1.24	0.36	0.05
GHSS1060RLB	Remote (DX)	Circuit #1	110-120	1	60	3.86	15	15	295	2+G	Leads Multiple	2.10	1.24	0.47	0.05
	Remote (GLYCOL)	Circuit #1	110-120	1	60	3.86	15	15	295	2+G	Leads Multiple	2.10	1.24	0.47	0.05
GHSS1260RLB	Remote (DX)	Circuit #1	110-120	1	60	4.59	15	15	384	2+G	Leads Multiple	2.10	1.86	0.55	0.08

REFRIGERATION													
Model	Zone	Section	System	Envt	REMOTE REFRIGERATION					GLYCOL / R744 REFRIGERATION			
					SST (°F)	Conv. Rack BTUH	Para. Rack BTUH	Defrost Interval (Hrs)	Defrost Duration	Total GPM	Pressure Drop (psi)	Concent (%)	Liquid Temp (°F)
GHSS460RLB	All	Main	Remote-DX	Type I	20	5,625	5,208	4.00	30.00	N/A	N/A	N/A	N/A
GHSS560RLB	All	Main	Remote-DX	Type I	20	7,042	6,520	4.00	30.00	N/A	N/A	N/A	N/A
GHSS660RLB	All	Main	Remote-DX	Type I	20	9,223	8,540	4.00	30.00	N/A	N/A	N/A	N/A
	All	Refrigerator	Remote-Glycol	Type I	N/A	9,223	8,540	4.00	30.00	5.50	15.60	35%	20.00
GHSS860RLB	All	Main	Remote-DX	Type I	20	12,053	11,160	4.00	30.00	N/A	N/A	N/A	N/A
	All	Refrigerator	Remote-Glycol	Type I	N/A	12,053	11,160	4.00	30.00	4.00	13.10	35%	20.00
GHSS1060RLB	All	Main	Remote-DX	Type I	20	13,932	12,900	4.00	30.00	N/A	N/A	N/A	N/A
	All	Refrigerator	Remote-Glycol	Type I	N/A	13,932	12,900	4.00	30.00	7.00	17.10	35%	20.00
GHSS1260RLB	All	Main	Remote-DX	Type I	20	14,515	13,440	4.00	30.00	N/A	N/A	N/A	N/A

INTENDED ENVIRONMENT		
Type I - Designed to operate in ambient conditions of 75°F with 55% relative humidity unless noted otherwise under Envt above.		
WARMEST AVERAGE PRODUCT TEMP & INTENDED USE OF ZONES		
Zone	Temp (°F)	Intended Use
1	40	Packaged refrigerated products

IMPORTANT NOTES
1) ELECTRICAL NOTE: If GFCI is required, a GFCI breaker MUST be used in lieu of a GFCI receptacle.
2) 45" minimum door entry clearance required (without shipping skid).
3) Units must be shimmed during installation to ensure the unit is level and plumb.

REGULATORY	
All Models	Accordance with AHRI Std 1200 ETL Listed to UL 471 ETL Listed to CAN/CSA 22.2 No. 120 ETL Sanitation to NSF/ANSI 7



In Accordance with  
**AHRI Std 1200**

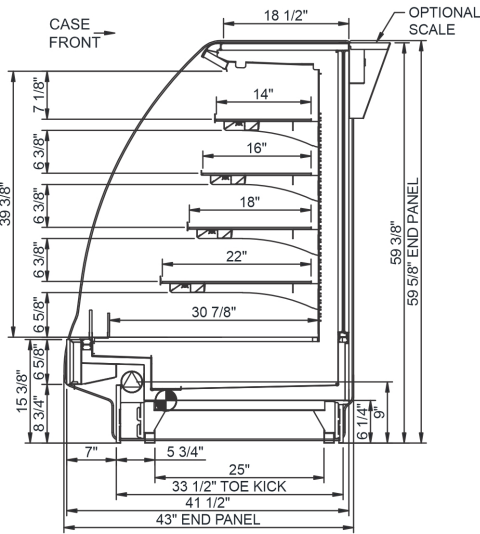
# Technical Information

Fusion - GHSS 60"H Refrigerated Self-Service Case w/ Curved Profile

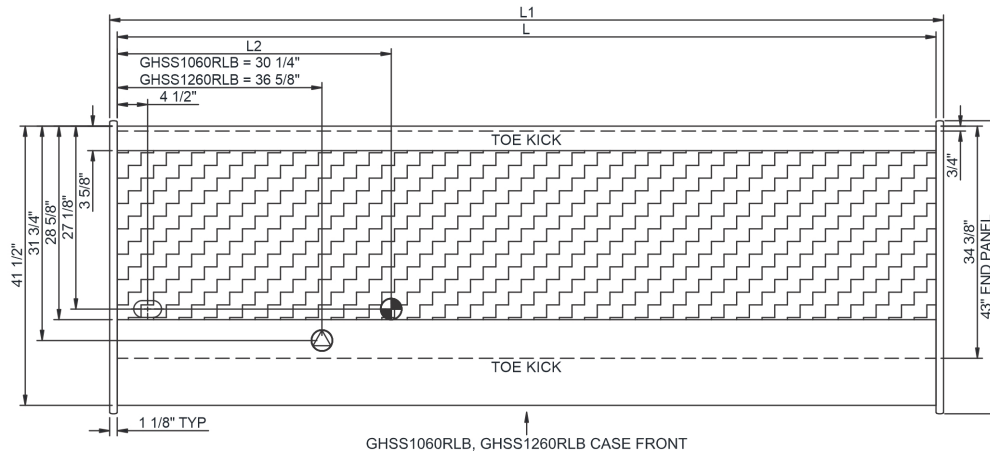
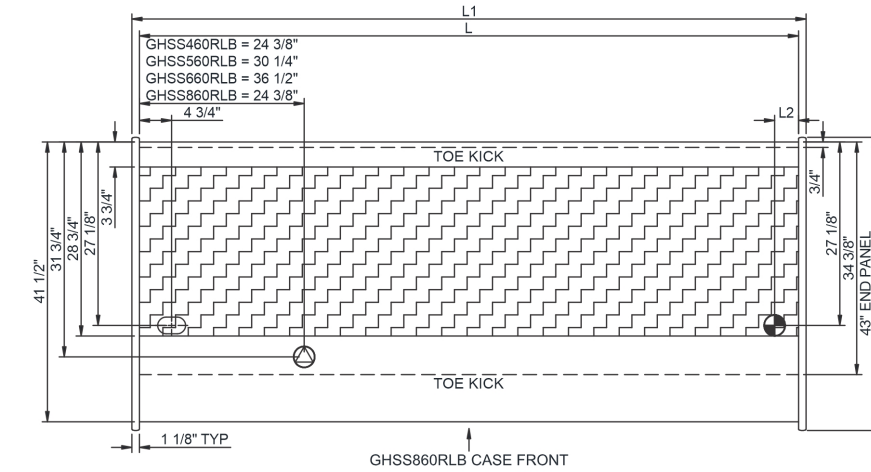
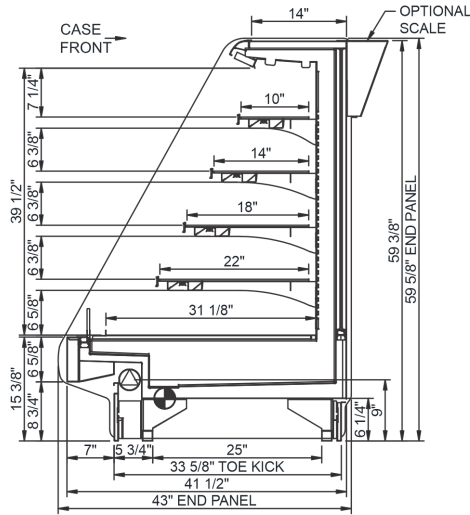
Structural Concepts®

DELIVERING FRESH. ALWAYS.™

## CURVED PROFILE



## FLAT ANGLED PROFILE



NOTE: ALL DIMENSIONS APPROXIMATE

-  ELECTRICAL JUNCTION BOX  
(SUPPLIED WITH 6" LEADS OR POWER CORD).
-  REFRIGERATION LINE CONNECTION.
-  SELF-CONTAINED CASE SERVICE ACCESS AREA.
-  REMOTE FLOOR SINK & UTILITIES  
ACCESS AREA.
-  DRY CASE SERVICE ACCESS AREA.