

# Technical Information

Fusion - GHSS 60"H Heated Self-Service Case

Structural Concepts®

DELIVERING FRESH. ALWAYS.™

## DIMENSIONS / SHIPPING

Model	L"	L1"	L2"	Est Wt (lbs)
GHSS460H	48.750	51.000	0.000	800
GHSS460H-4	48.750	51.000	0.000	N/A
GHSS660H	73.125	75.375	0.000	1,100
GHSS660H-4	73.125	75.375	0.000	N/A

## ELECTRICAL

Model	System Circuit Volts	Ph	Frq	Rated Load Amps	Min Cir Amps	Max OCP Amps	Watts	Wires	NEMA Plug	Amps Lights	Amps Fans	Amps Anti-Sweats	Amps Misc/Refrig/Heat
GHSS460H	Heat (N/A) Circuit #1	208	1	50-60	22.29	30	4,655	2+G	Leads Single	0.36	N/A	N/A	21.93
	Heat (N/A) Circuit #1	240	1	50-60	25.65	40	6,166	2+G	Leads Single	0.36	N/A	N/A	25.29
	Heat (N/A) Circuit #1	208	3	50-60	17.13	30	4,655	3+G	Leads Single	0.36	N/A	N/A	21.93
	Heat (N/A) Circuit #1	240	3	50-60	19.70	30	6,166	3+G	Leads Single	0.36	N/A	N/A	25.29
GHSS460H-4	Heat (N/A) Circuit #1	208	1	50-60	27.45	40	5,752	2+G	Leads Single	0.36	N/A	N/A	27.09
	Heat (N/A) Circuit #1	240	1	50-60	31.60	40	7,618	2+G	Leads Single	0.36	N/A	N/A	31.24
	Heat (N/A) Circuit #1	208	3	50-60	20.64	30	5,752	3+G	Leads Single	0.36	N/A	N/A	27.09
	Heat (N/A) Circuit #1	240	3	50-60	23.80	30	7,618	3+G	Leads Single	0.36	N/A	N/A	31.24
GHSS660H	Heat (N/A) Circuit #1	208	1	50-60	31.68	40	6,742	2+G	Leads Single	0.72	N/A	N/A	30.96
	Heat (N/A) Circuit #1	240	1	50-60	36.40	50	8,874	2+G	Leads Single	0.72	N/A	N/A	35.68
	Heat (N/A) Circuit #1	208	3	50-60	23.94	30	6,742	3+G	Leads Single	0.72	N/A	N/A	30.96
	Heat (N/A) Circuit #1	240	3	50-60	27.48	40	8,874	3+G	Leads Single	0.72	N/A	N/A	35.68
GHSS660H-4	Heat (N/A) Circuit #1	208	1	50-60	39.42	50	8,427	2+G	Leads Single	0.72	N/A	N/A	38.70
	Heat (N/A) Circuit #1	240	1	50-60	45.32	60	11,092	2+G	Leads Single	0.72	N/A	N/A	44.60
	Heat (N/A) Circuit #1	208	3	50-60	30.96	40	8,427	3+G	Leads Single	0.72	N/A	N/A	38.70
	Heat (N/A) Circuit #1	240	3	50-60	35.68	50	11,092	3+G	Leads Single	0.72	N/A	N/A	44.60

## REFRIGERATION

Model	Zone	Section	System	Envt	REMOTE REFRIGERATION					GLYCOL / R744 REFRIGERATION				
					SST (°F)	Conv. Rack BTUH	Para. Rack BTUH	Defrost Interval (Hrs)	Defrost Duration	Total GPM	Pressure Drop (psi)	Concent (%)	Liquid Temp (°F)	

## INTENDED ENVIRONMENT

Type I - Designed to operate in ambient conditions of 75°F with 55% relative humidity unless noted otherwise under Envt above.

## WARMEST AVERAGE PRODUCT TEMP & INTENDED USE OF ZONES

Zone	Temp (°F)	Intended Use
1	160	Packaged heated product

## IMPORTANT NOTES

- 1) ELECTRICAL NOTE: If GFCI is required, a GFCI breaker MUST be used in lieu of a GFCI receptacle
- 2) 34" minimum door entry clearance required (without shipping skid).
- 3) The additional shelf option significantly increases electrical load for model. Refer to the -4 suffix model for these specifications.

## REGULATORY

All Models  
 ETL Listed to UL 197  
 ETL Listed to CAN/CSA 22.2 No. 109  
 ETL Sanitation to NSF/ANSI 4

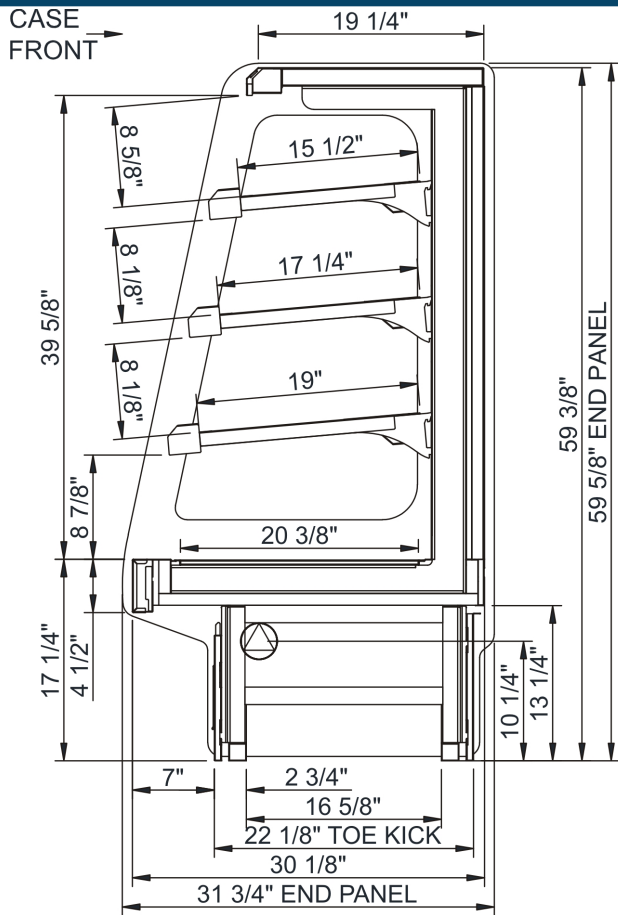


# Technical Information

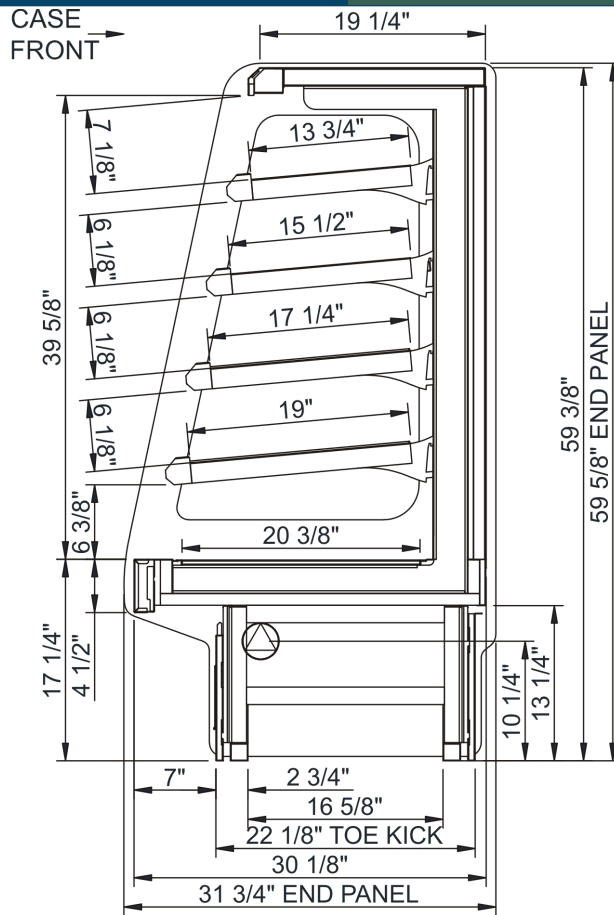
Fusion - GHSS 60"H Heated Self-Service Case

Structural Concepts®

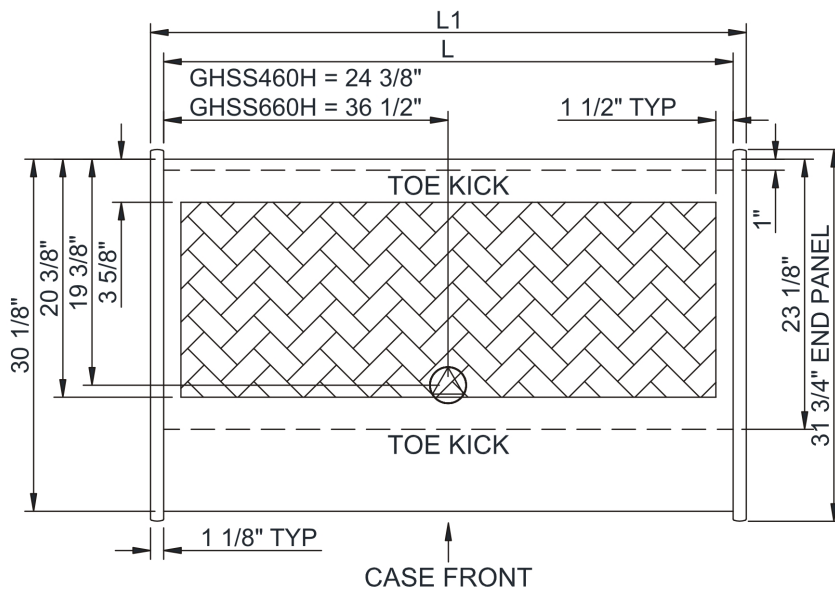
DELIVERING FRESH. ALWAYS.™



STANDARD 3 SHELF



OPTIONAL 4 SHELF



NOTE: ALL DIMENSIONS APPROXIMATE

⊗ ELECTRICAL JUNCTION BOX (SUPPLIED WITH 6" LEADS OR POWER CORD).  
 ⊙ LOCATION OF DRAIN TUBE FOR REMOTE REF. ONLY (SUPPLIED WITH 3/4" OR 1 1/2" PVC TUBE).

⊕ REFRIGERATION LINE CONNECTION.  
 ☒ REMOTE FLOOR SINK & UTILITIES ACCESS AREA.

▨ SELF-CONTAINED CASE SERVICE ACCESS AREA.  
 ⊞ DRY CASE SERVICE ACCESS AREA.