

Front Facing - GHS 52"H Heated High-Capacity Service Case

DIMENSIONS / SHIPPING				
Model	L"	L1"	L2"	Est Wt (lbs)
GHSEH252W.7763	N/A	27.000	0.000	N/A

ELECTRICAL																
Model	System Circuit Volts				Ph	Frq	Rated Load Amps	Min Cir Amps	Max OCP Amps	Watts	Wires	NEMA Plug	Amps Lights	Amps Fans	Amps Anti-Sweats	Amps Misc/Refrig/Heat
GHSEH252W.7763	Heat	Circuit #1	110-120	1	60	12.43	20	20	1,480	2+G	Leads Single	0.76	N/A	N/A	11.67	

REFRIGERATION															
Model	Zone	Section	System	Envt	REMOTE REFRIGERATION				GLYCOL / R744 REFRIGERATION						
					SST (°F)	BTUH	Defrost Interval (Hrs)	Defrost Duration (Mins)	Total GPM	Pressure Drop (psi)	Concent (%)	Liquid Temp (°F)			

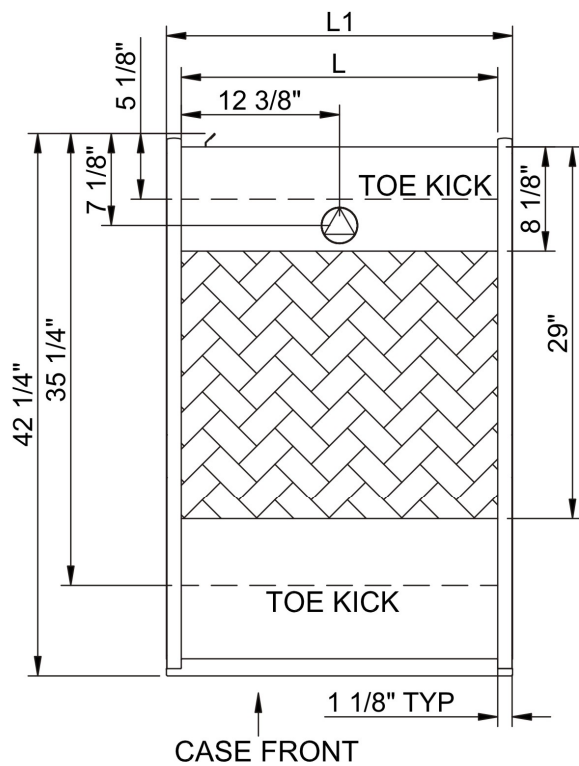
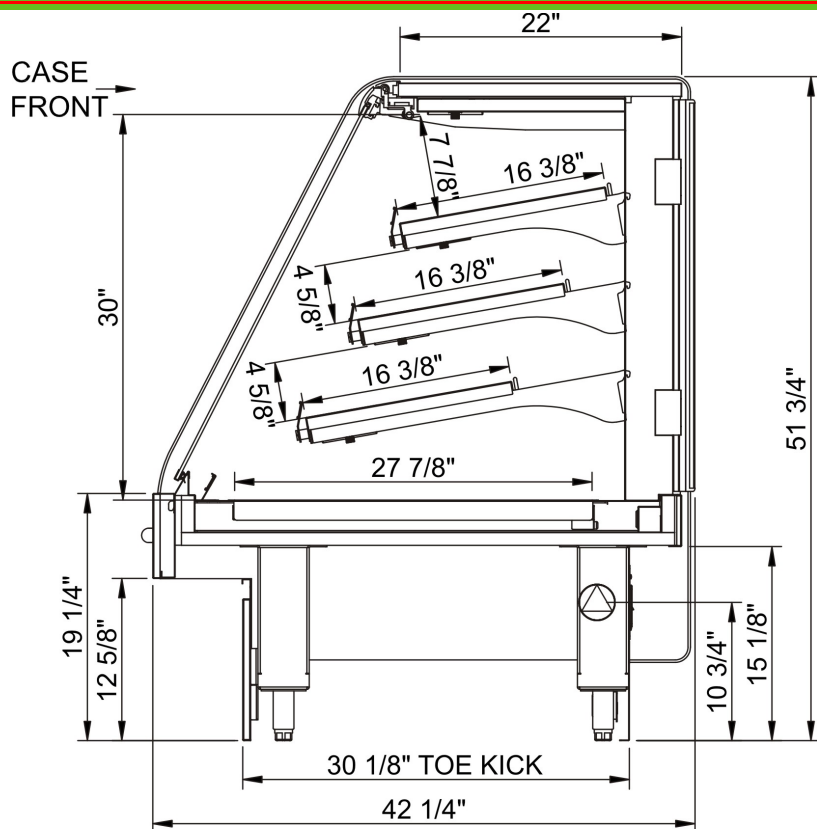
INTENDED ENVIRONMENT		
Type I - Designed to operate in ambient conditions of 75°F with 55% relative humidity unless noted otherwise under Envt above.		
WARMEST AVERAGE PRODUCT TEMP & INTENDED USE OF ZONES		
Zone	Temp (°F)	Intended Use
All	Ambient	Unpackaged non-refrigerated products

IMPORTANT NOTES
1) Units are supplied with levelers which must be adjusted during installation to ensure the unit is level and plumb.

REGULATORY	
All Models	ETL Listed to UL 197 ETL Listed to CAN/CSA 22.2 No. 109 ETL Sanitation to NSF 4



Front Facing - GHS 52"H Heated High-Capacity Service Case



NOTE: ALL DIMENSIONS APPROXIMATE

- ⊗ ELECTRICAL JUNCTION BOX (SUPPLIED WITH 6" LEADS OR POWER CORD).
- ⊕ REFRIGERATION LINE CONNECTION.
- ⊙ LOCATION OF DRAIN TUBE FOR REMOTE REF. ONLY (SUPPLIED WITH 3/4" OR 1 1/2" PVC TUBE).
- ⊞ REMOTE FLOOR SINK & UTILITIES ACCESS AREA.
- ▨ SELF-CONTAINED CASE SERVICE ACCESS AREA.
- ▩ DRY CASE SERVICE ACCESS AREA.