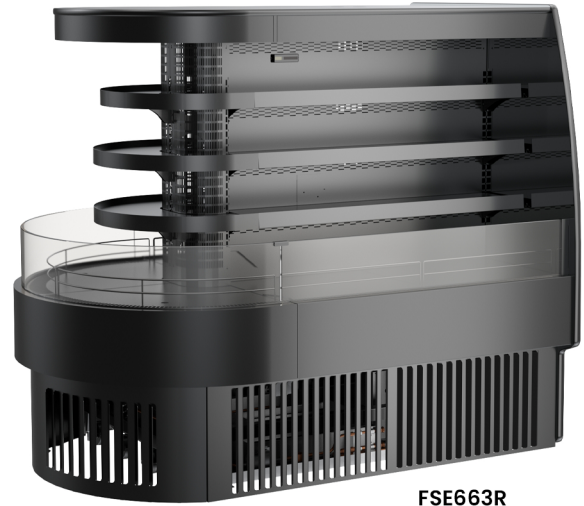


• FSE663R

49-3/8"L x 73-3/8"D x 63-3/8"H

### Included

- Breeze~E (Type-II) self-contained refrigeration
- Compressor air intake in one side & out other side. All louvered panels cannot be blocked
- Full end panel w/mirror interior
- Integrated average product temperature of 40°F or less
- LED 4000K top light(s)
- One year parts & labor; 5 year compressor warranty
- Price tag molding (matches interior color)
- Removable deck pans provide complete access to evaporator coil & refrigeration connections



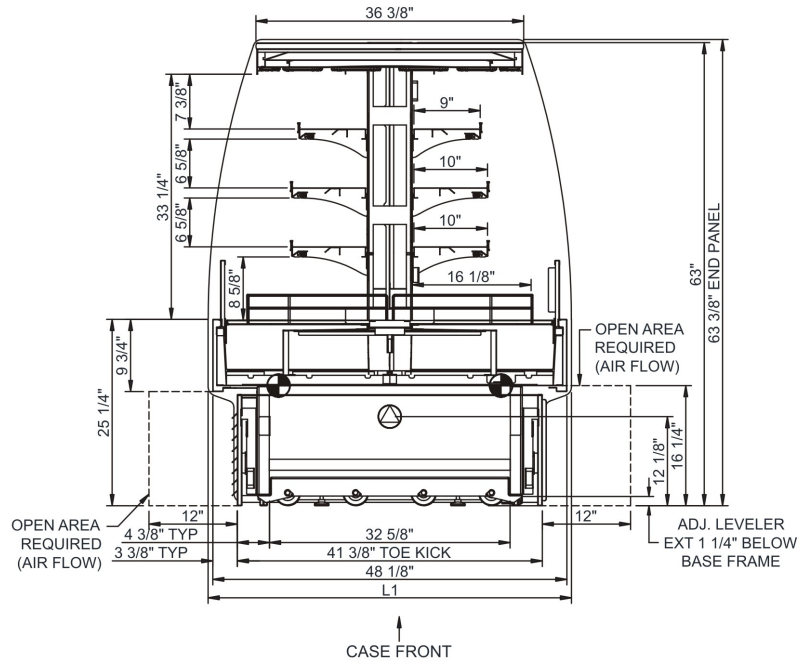
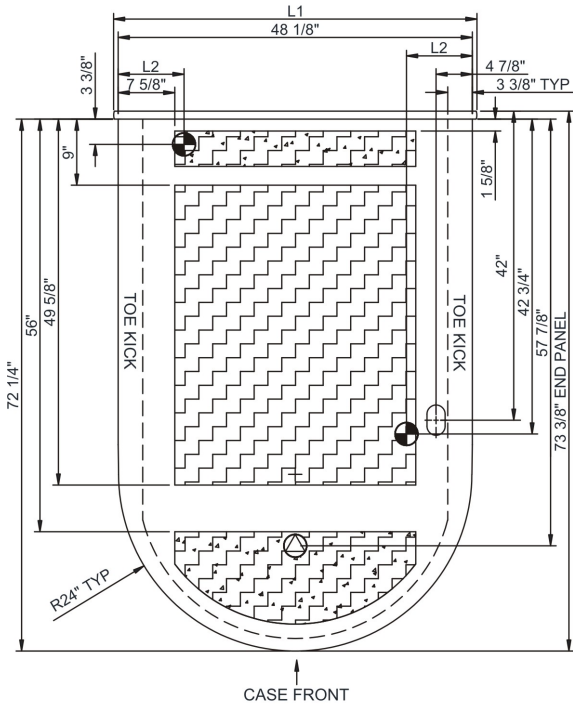
FSE663R

Specify	Standard Features	Additional Options
<b>EXTERIOR COLOR</b>	• Laminate (stock colors)	• Laminate (non-stock colors) • Stainless steel
<b>INTERIOR COLOR</b>	• Powder coated Silversan Black	• Stainless steel
<b>LOWER FRONT PANEL COLOR</b>	• Powder coated Silversan Black	• Stainless steel (must choose stainless exterior)
<b>BASE SUPPORT</b>	• Levelers	• Casters (self-cont.)
<b>SHELVING</b>	• Non-adjustable metal shelves, non-lighted	• Non-adjustable metal shelves, lighted (LED 4000K)
<b>ELECTRICAL CONNECTION</b>	• 6' Straight blade power cord (self-cont.)	• 6' Locking power cord (self-cont.) • Electrical leads (remote)
<b>REFRIGERATION</b>	• Breeze~E (Type-II) self-contained refrigeration	• Note: Remote doesn't incl Conds unit. Floor drain reqd. • Remote w/thermostat, solenoid & TXV
<b>MISCELLANEOUS</b>		• Condensate pump (self-cont.) • Second year parts & labor warranty (excludes compressor)

<b>Intended Environment:</b> Type II - Designed to operate in ambient conditions of 80°F and 55% relative humidity unless noted otherwise in system information below.		
<b>Zone</b>	<b>Intended Product To Be Displayed</b>	<b>Warmest Avg Prod Temp ° F</b>
1	Packaged refrigerated products	40

### PLAN VIEW

### SIDE VIEW



**NOTE: ALL DIMENSIONS APPROXIMATE**

-  ELECTRICAL JUNCTION BOX (SUPPLIED WITH 6" LEADS OR POWER CORD).
-  REFRIGERATION LINE CONNECTION.
-  SELF-CONTAINED CASE SERVICE ACCESS AREA.
-  LOCATION OF DRAIN TUBE FOR REMOTE REF. ONLY (SUPPLIED WITH 3/4" OR 1 1/2" PVC TUBE).
-  REMOTE FLOOR SINK & UTILITIES ACCESS AREA.
-  DRY CASE SERVICE ACCESS AREA.

Model Technical Specifications																
Model	L"	L1"	L2"	System Circuit Volts		Phs	Freq	Amps ***	Watts	Wires	NEMA Plug	SST	Conv. Rack BTUH	Para. Rack BTUH	Est Wt	
FSE663R	N/A	49.38	9.00	Remote (DX)	Circuit #1	110-120	1	60	7.77	434	2+G	Leads Multiple	20.00	13997	12960	1,550
				Self-Contained (R449A)	Circuit #1	208-240	1	60	23.07	4,803	2+G	6-30P or L6-30P	N/A	N/A	N/A	

\*\*\* Does not include electric defrost on freezer models.

Regulatory Approvals:	
All Models	Accordance with AHRI Std 1200 ETL Listed to UL 471 ETL Listed to CAN/CSA 22.2 No. 120 ETL Sanitation to NSF/ANSI 7



In Accordance with  
**AHRI Std 1200**

**DOE 2017**  
Energy Efficiency  
Compliant

### Important Notes:

- 1) ELECTRICAL NOTE: If GFCI is required, a GFCI breaker MUST be used in lieu of a GFCI receptacle
- 2) Compressor air side intake and side discharge
- 3) 50" minimum door entry clearance required (without shipping skid).
- 4) Performance issues (product temperatures, water on floor, etc.) caused by adverse conditions are not covered by warranty.
- 5) Keep unit at least 15' from exterior doors, overhead HVAC vents, or any air curtain disruption.
- 6) End panels must be tightly joined or kept at least 6" away from any structure to prevent condensation.
- 7) Do not expose unit to direct sunlight or any heat source (ovens, fryers, etc.).

**⚠ WARNING:** This product can expose you to chemicals, including Urethane (Ethyl Carbamate), which are known to the State of California to cause cancer and birth defects or other reproductive harm. For more information go to [www.P65Warnings.ca.gov](http://www.P65Warnings.ca.gov).