

Floral - FLP Straight Open Low Profile Case - Remote DX w/ Danfoss Controller

DIMENSIONS / SHIPPING				
Model	L"	L1"	L2"	Est Wt (lbs)
FLP9.5588.7716	N/A	110.000	54.000	N/A

ELECTRICAL																
Model	System Circuit Volts				Ph	Frq	Rated Load Amps	Min Cir Amps	Max OCP Amps	Watts	Wires	NEMA Plug	Amps Lights	Amps Fans	Amps Anti-Sweats	Amps Misc/Refrig/Heat
FLP9.5588.7716	Remote(DX)	Circuit #1	110-120	1	60	1.10	15	15	108	2+G	Leads Single		0.70	0.40	N/A	

REFRIGERATION														
Model	Zone	Section	System	Envt	REMOTE REFRIGERATION					GLYCOL / R744 REFRIGERATION				
					SST (°F)	Conv. Rack BTUH	Para. Rack BTUH	Defrost Interval (Hrs)	Defrost Duration	Total GPM	Pressure Drop (psi)	Concent (%)	Liquid Temp (°F)	
FLP9.5588.7716	All	Main	Remote-DX	Type I	26	6,480	6,000	4.00	25.00	N/A	N/A	N/A	N/A	N/A

INTENDED ENVIRONMENT		
Type I - Designed to operate in ambient conditions of 75°F with 55% relative humidity unless noted otherwise under Envt above.		
WARMEST AVERAGE PRODUCT TEMP & INTENDED USE OF ZONES		
Zone	Temp (°F)	Intended Use
1	38	Floral products

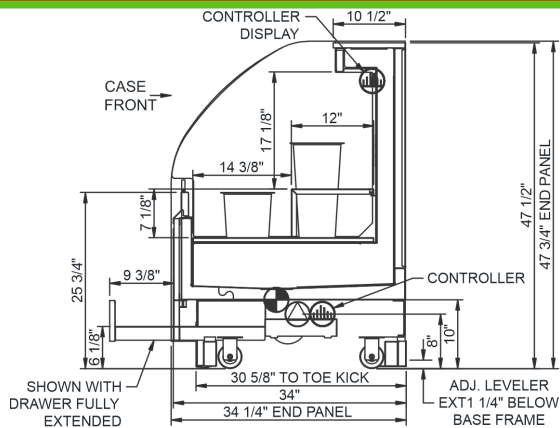
IMPORTANT NOTES
1) Units must be shimmed during installation to ensure the unit is level and plumb.

REGULATORY	
All Models	Accordance with AHRI Std 1200 ETL Listed to UL 471 ETL Listed to CAN/CSA 22.2 No. 120

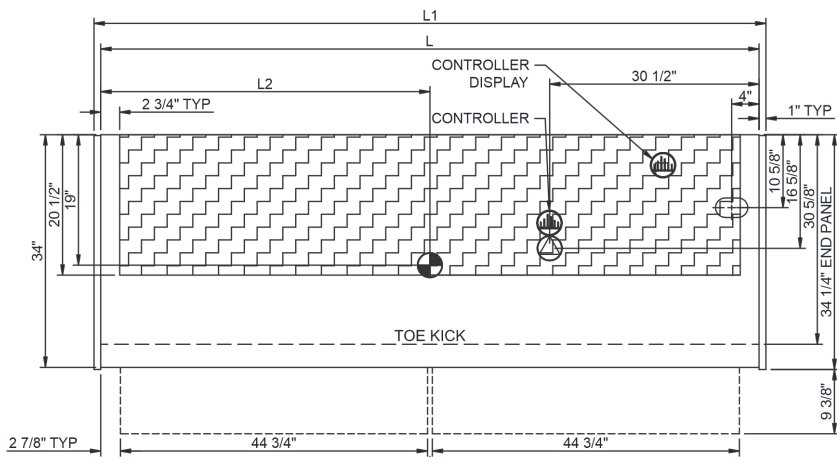


In Accordance with
AHRI Std 1200

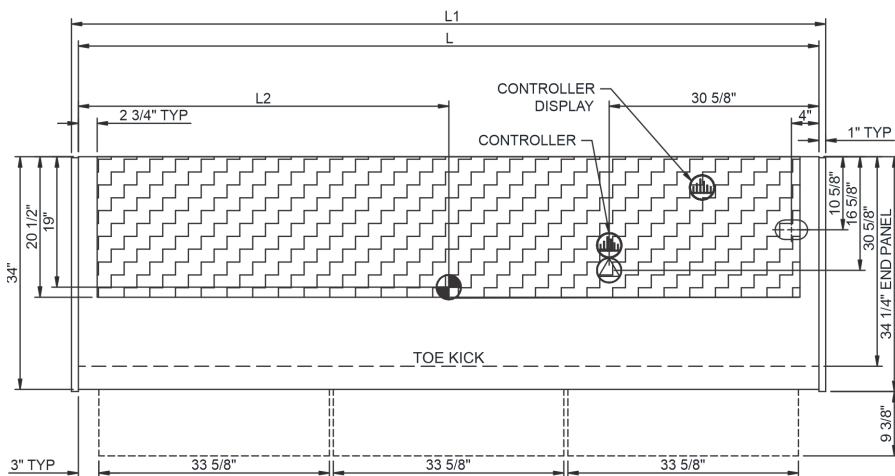
Floral - FLP Straight Open Low Profile Case - Remote DX w/ Danfoss Controller



MODEL	w/ CONTROLLER
FLP(L).6527	REMOTE DX w/ DIXELL
FLP(L).5588.7716	REMOTE DX w/ DANFOSS
FLP(L)C.6527	REMOTE CO2 w/ DIXELL
FLP(L)C.5588.7716	REMOTE CO2 w/ DANFOSS
MODEL	w/o CONTROLLER
FLP(L).5588	REMOTE DX
FLP(L)G.5588	REMOTE GLYCOL



FLP8.6527, FLP8.5588, FLP8G.5588,
FLP8C.6527, FLP8C.5588.7716 CASE FRONT



FLP9.6527, FLP9C.6527, FLP9.5588.7716,
FLP9.5588, FLP9G.5588, FLP9C.5588.7716 CASE FRONT

NOTE: ALL DIMENSIONS APPROXIMATE

- ELECTRICAL JUNCTION BOX (SUPPLIED WITH 6" LEADS OR POWER CORD).
- LOCATION OF DRAIN TUBE FOR REMOTE REF. ONLY (SUPPLIED WITH 3/4" OR 1 1/2" PVC TUBE).

- REFRIGERATION LINE CONNECTION.
- REMOTE FLOOR SINK & UTILITIES ACCESS AREA.

- SELF-CONTAINED CASE SERVICE ACCESS AREA.
- DRY CASE SERVICE ACCESS AREA.