

Floral - FLP Straight Open Low Profile Case - Remote DX w/ Danfoss Controller

Models

FLP9.5588.7716



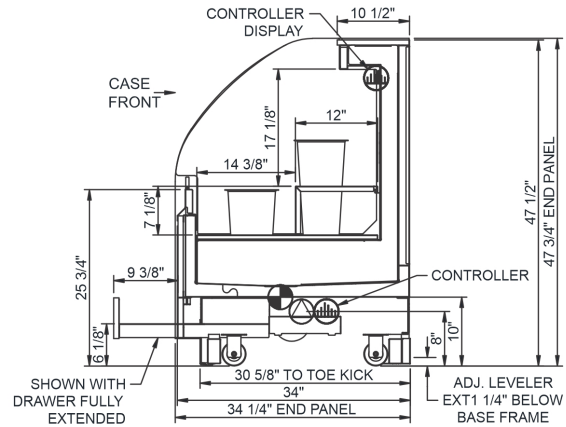
Features	Standard	Options
EXTERIOR COLOR	<input type="checkbox"/> Laminated (Kensington Maple)	<input type="checkbox"/> Laminated (Portico Teak)
INTERIOR COLOR	<input type="checkbox"/> Painted (Bronze Pearlescent)	
BASE SUPPORT	<input type="checkbox"/> Casters w/ levelers	
END PANELS	<input type="checkbox"/> Cutaway w/ glass	<input type="checkbox"/> Full with mirror
FRONT	<input type="checkbox"/> Open	
LOWER FRONT PANEL	<input type="checkbox"/> Laminated (Kensington Maple)	<input type="checkbox"/> Laminated (Portico Teak)
REAR	<input type="checkbox"/> Solid back panel, black	
BUCKETS	<input type="checkbox"/> 8-1/2"Dia x 13"H Marco buckets	
SHELVING	<input type="checkbox"/> 13" bucket support shelves (3 levels)	
ELECTRICAL ACCESS	<input type="checkbox"/> Front electrical access	
ELECTRICAL CONNECT	<input type="checkbox"/> Leads	
REFRIGERATION	<input type="checkbox"/> Remote DX refrigeration w/ Danfoss controller	

Applications

- Straight open low profile merchandiser for fresh cut flowers
- Bucket capacity = FLP9 (27)

Floral FLP Straight Open Low Profile Case - Remote DX w/ Danfoss Controller

Model	L x D x H (Lengths include end panels)
FLP9.5588.7716	110"L x 34-1/4"D x 47-3/4"H



IMPORTANT NOTES:

1) Units must be shimmed during installation to ensure the unit is level and plumb.



WARNING

This product can expose you to chemicals including Urethane (Ethyl Carbamate), which are known to the State of California to cause cancer and birth defects or other reproductive harm. For more information go to www.P65Warnings.ca.gov.

INTENDED ENVIRONMENT

Designed to operate in ambient conditions of 75°F with 55% relative humidity.

WARMEST AVG PRODUCT TEMP

Zone	Temp (°F)
1	38

INTENDED USE OF DISPLAY AREAS

Zone	Intended Use
1	Floral products