

Floral - FLP Straight Open Low Profile Case - Remote CO2 w/ Dixell Controller

DIMENSIONS / SHIPPING				
Model	L"	L1"	L2"	Est Wt (lbs)
FLP8C.6527	N/A	97.875	48.000	N/A
FLP9C.6527	N/A	110.000	54.000	N/A

ELECTRICAL														
Model	System Circuit Volts	Ph	Frq	Rated Load Amps	Min Cir Amps	Max OCP Amps	Watts	Wires	NEMA Plug	Amps Lights	Amps Fans	Amps Anti-Sweats	Amps Misc/Refrig/Heat	
FLP8C.6527	CONTACT FACTORY FOR UPDATED INFORMATION													
FLP9C.6527	Remote(R744 L)	Circuit #1	110-120	1	60	0.78	15	15	70	2+G	Leads Single		0.70	0.08

REFRIGERATION													
Model	Zone	Section	System	Envt	REMOTE REFRIGERATION					GLYCOL / R744 REFRIGERATION			
					SST (°F)	Conv. Rack BTUH	Para. Rack BTUH	Defrost Interval (Hrs)	Defrost Duration	Total GPM	Pressure Drop (psi)	Concent (%)	Liquid Temp (°F)
FLP8C.6527	CONTACT FACTORY FOR UPDATED INFORMATION												
FLP9C.6527	All	Main	Remote-R744 LIQ OVERFEED	Type I		6,480	6,000	4.00	30.00	0.40	0.42	N/A	26.00

INTENDED ENVIRONMENT
 Type I - Designed to operate in ambient conditions of 75°F with 55% relative humidity unless noted otherwise under Envt above.

IMPORTANT NOTES
 1) Units must be shimmed during installation to ensure the unit is level and plumb.

WARMEST AVERAGE PRODUCT TEMP & INTENDED USE OF ZONES

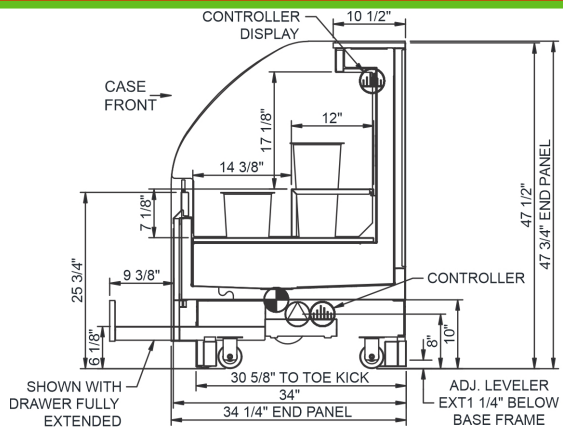
Zone	Temp (°F)	Intended Use
1	38	Floral products

REGULATORY	
All Models	Accordance with AHRI Std 1200 ETL Listed to UL 471 ETL Listed to CAN/CSA 22.2 No. 120

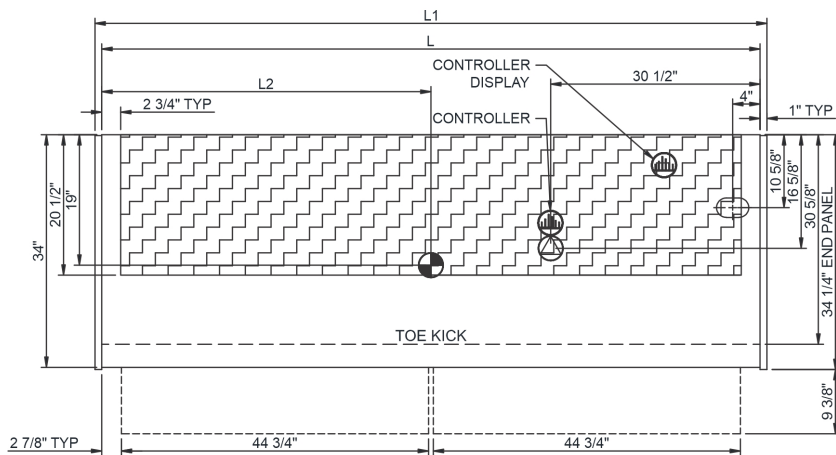


In Accordance with
AHRI Std 1200

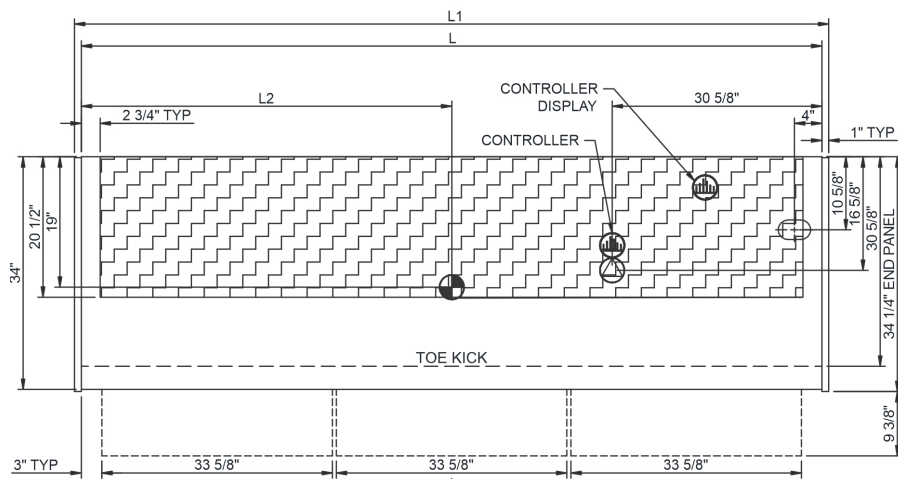
Floral - FLP Straight Open Low Profile Case - Remote CO2 w/ Dixell Controller



MODEL	w/ CONTROLLER
FLP(L).6527	REMOTE DX w/ DIXELL
FLP(L).5588.7716	REMOTE DX w/ DANFOSS
FLP(L)C.6527	REMOTE CO2 w/ DIXELL
FLP(L)C.5588.7716	REMOTE CO2 w/ DANFOSS
MODEL	w/o CONTROLLER
FLP(L).5588	REMOTE DX
FLP(L)G.5588	REMOTE GLYCOL



FLP8.6527, FLP8.5588, FLP8G.5588,
FLP8C.6527, FLP8C.5588.7716 CASE FRONT



FLP9.6527, FLP9C.6527, FLP9.5588.7716,
FLP9.5588, FLP9G.5588, FLP9C.5588.7716 CASE FRONT

NOTE: ALL DIMENSIONS APPROXIMATE

- ELECTRICAL JUNCTION BOX (SUPPLIED WITH 6" LEADS OR POWER CORD).
- LOCATION OF DRAIN TUBE FOR REMOTE REF. ONLY (SUPPLIED WITH 3/4" OR 1 1/2" PVC TUBE).

- REFRIGERATION LINE CONNECTION.
- REMOTE FLOOR SINK & UTILITIES ACCESS AREA.

- SELF-CONTAINED CASE SERVICE ACCESS AREA.
- DRY CASE SERVICE ACCESS AREA.