

# Floral - FLP Straight Open Low Profile Case - Remote CO2 w/ Dixell Controller

## Models

FLP8C.6527  
FLP9C.6527



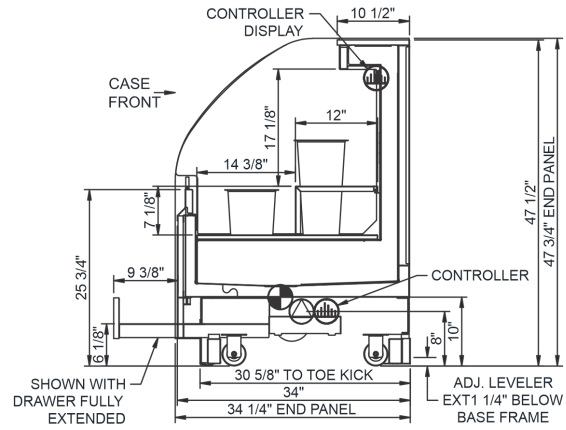
| Features                  | Standard   | Options   |
|---------------------------|--|---|
| <b>EXTERIOR COLOR</b>     | <input type="checkbox"/> Laminated (Kensington Maple)                          | <input type="checkbox"/> Laminated (Portico Teak) |
| <b>INTERIOR COLOR</b>     | <input type="checkbox"/> Painted (Bronze Pearlescent)                          |   |
| <b>BASE SUPPORT</b>       | <input type="checkbox"/> Casters w/ levelers                                   |   |
| <b>END PANELS</b>         | <input type="checkbox"/> Cutaway w/ glass                                      | <input type="checkbox"/> Full with mirror         |
| <b>FRONT</b>              | <input type="checkbox"/> Open  |   |
| <b>LOWER FRONT PANEL</b>  | <input type="checkbox"/> Laminated (Kensington Maple)                          | <input type="checkbox"/> Laminated (Portico Teak) |
| <b>REAR</b>               | <input type="checkbox"/> Solid back panel, black                               |   |
| <b>BUCKETS</b>            | <input type="checkbox"/> 8-1/2"Dia x 13"H Marco buckets                        |   |
| <b>SHELVING</b>           | <input type="checkbox"/> 13" bucket support shelves (3 levels)                 |   |
| <b>ELECTRICAL ACCESS</b>  | <input type="checkbox"/> Front electrical access                               |   |
| <b>ELECTRICAL CONNECT</b> | <input type="checkbox"/> Leads   |   |
| <b>REFRIGERATION</b>      | <input type="checkbox"/> Remote CO2 refrigeration (specify type) w/ controller |   |

## Applications

- Straight open low profile merchandiser for fresh cut flowers
- Bucket capacity =  
FLP8C (24)  
FLP9C (27)

# Floral FLP Straight Open Low Profile Case - Remote CO2 w/ Dixell Controller

| Model       | L x D x H<br>(Lengths include end panels) |
|-------------|---|
| FLP8C.6527* | 97-7/8"L x 34-1/4"D x 47-3/4"H            |
| FLP9C.6527  | 110"L x 34-1/4"D x 47-3/4"H               |



## IMPORTANT NOTES:

1) Units must be shimmed during installation to ensure the unit is level and plumb.



### WARNING

This product can expose you to chemicals including Urethane (Ethyl Carbamate), which are known to the State of California to cause cancer and birth defects or other reproductive harm. For more information go to [www.P65Warnings.ca.gov](http://www.P65Warnings.ca.gov).

## INTENDED ENVIRONMENT

Designed to operate in ambient conditions of 75°F with 55% relative humidity.

## WARMEST AVG PRODUCT TEMP

| Zone | Temp (°F) |
|------|-----------|
| 1    | 38        |

## INTENDED USE OF DISPLAY AREAS

| Zone | Intended Use    |
|------|-----------------|
| 1    | Floral products |

\* Additional lead-time required  
 INFORMATION IS SUBJECT TO CHANGE WITHOUT NOTICE. Visit [www.structuralconcepts.com](http://www.structuralconcepts.com) for the most current specs.

