

Technical Information

Structural Concepts®

DELIVERING FRESH. ALWAYS.™

Grocerant - End Cap Soup Case w/ Induction Warmers & Front Storage - 6 Wells - Standard Length

DIMENSIONS / SHIPPING				
Model	L"	L1"	L2"	Est Wt (lbs)
FBI6SS-67QN.8100	N/A	75.000	0.000	N/A

ELECTRICAL															
Model	System Circuit Volts			Ph	Frq	Rated Load Amps	Min Cir Amps	Max OCP Amps	Watts	Wires	NEMA Plug	Amps Lights	Amps Fans	Amps Anti-Sweats	Amps Misc/Refrig/Heat
FBI6SS-67QN.8100	Heat (N/A)-Type I Env	Circuit #1	110-120	1	60	12.60	20	20	1,512	2+G	Leads Multiple	N/A	N/A	N/A	12.60

REFRIGERATION															
Model	Zone	Section	System	Envt	REMOTE REFRIGERATION					GLYCOL / R744 REFRIGERATION					
					SST (°F)	Conv. Rack BTUH	Para. Rack BTUH	Defrost Interval (Hrs)	Defrost Duration	Total GPM	Pressure Drop (psi)	Concent (%)	Liquid Temp (°F)		

INTENDED ENVIRONMENT

Type I - Designed to operate in ambient conditions of 75°F with 55% relative humidity unless noted otherwise under Envt above.

WARMEST AVERAGE PRODUCT TEMP & INTENDED USE OF ZONES

Zone	Temp (°F)	Intended Use
1	100-160	Heated holding area-Products preheated to Warmest Avg Prod Temp.

REGULATORY

All Models	ETL Listed to UL 197 ETL Listed to CAN/CSA 22.2 No. 109 ETL Sanitation to NSF/ANSI 4
------------	--

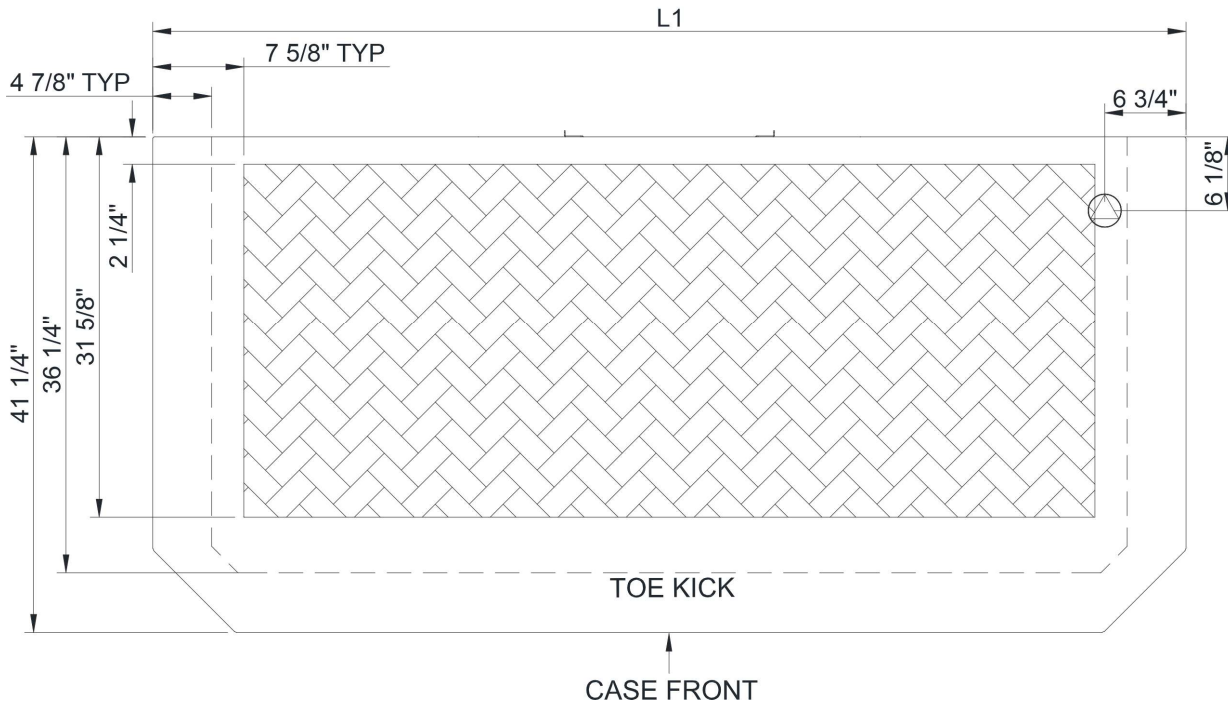
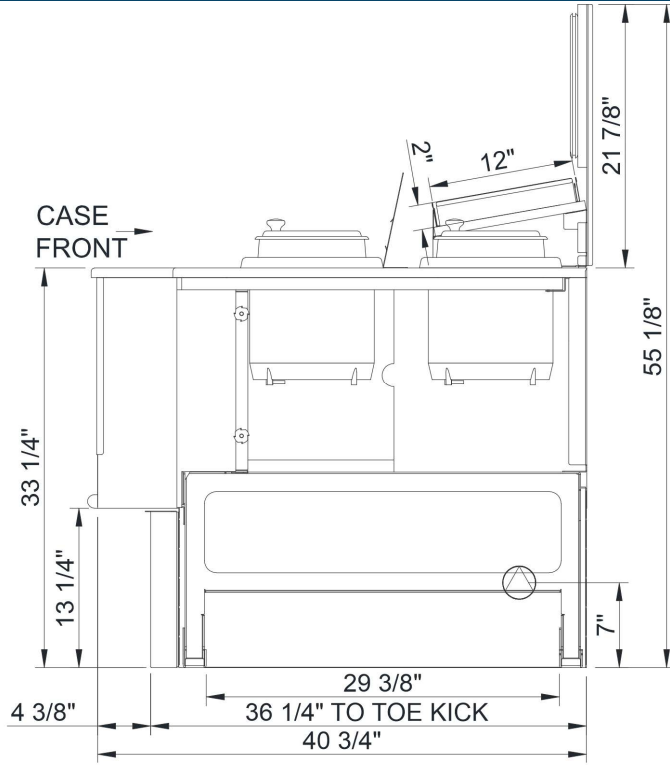
IMPORTANT NOTES

1) Units must be shimmed during installation to ensure the unit is level and plumb.



Technical Information

Grocerant - End Cap Soup Case w/ Induction Warmers & Front Storage - 6 Wells - Standard Length



NOTE: ALL DIMENSIONS APPROXIMATE

⊗ ELECTRICAL JUNCTION BOX (SUPPLIED WITH 6" LEADS OR POWER CORD).
⊙ LOCATION OF DRAIN TUBE FOR REMOTE REF. ONLY (SUPPLIED WITH 3/4" OR 1 1/2" PVC TUBE).

⊕ REFRIGERATION LINE CONNECTION.
⊞ REMOTE FLOOR SINK & UTILITIES ACCESS AREA.

▨ SELF-CONTAINED CASE SERVICE ACCESS AREA.
▩ DRY CASE SERVICE ACCESS AREA.