

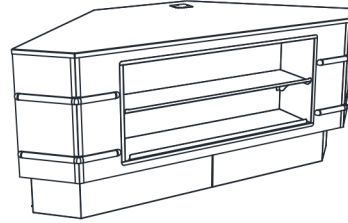
Lengths do not include end panels

• **FB90S-C M2E.8110**

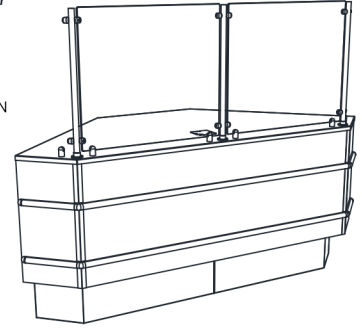
79-3/4"L x 36-1/4"D x 33-3/4"H

Included

- Frosted acrylic sneeze guard
- One year parts & labor warranty



POPCORN CONFIGURATION SHOWN



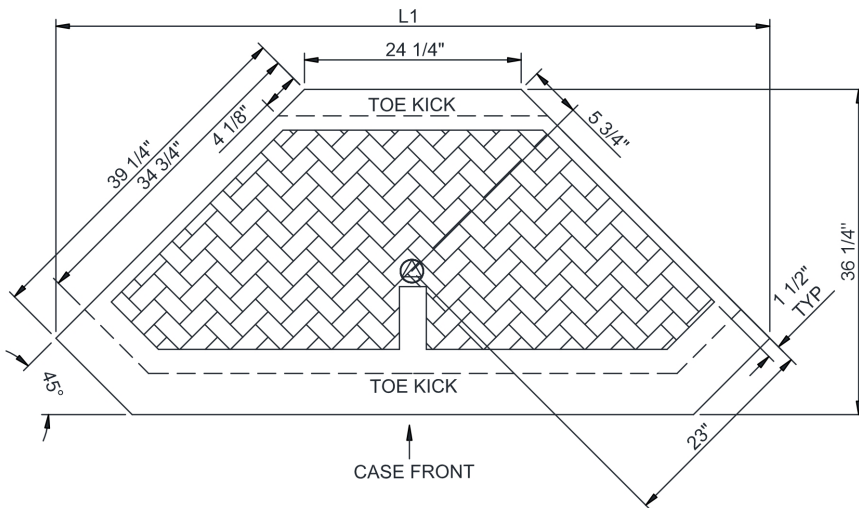
RICE CONFIGURATION SHOWN

FB90S-CXM2E.8110

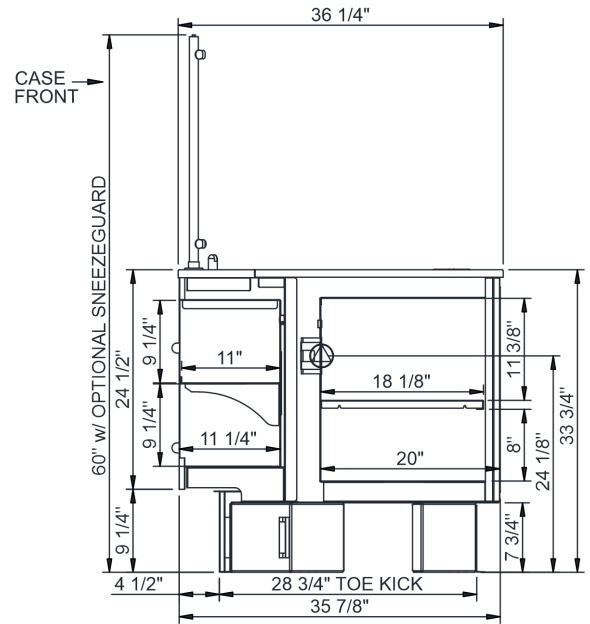
Specify	Standard Features	Additional Options
EXTERIOR COLOR	• Laminated (Xanadu)	• Laminated (Skyline Walnut)
INTERIOR COLOR	• Stainless steel	
BUMPER FRONT	• 1" bumper on front (black)	• 1" bumper on front (Gray)
FRONT	• Flat front	• Cubby section
TOE KICK	• Powder coated Silversan Black	
SNEEZE GUARD	• None	• ADM sneeze guard w/ stainless steel post

Intended Environment: Type I - Designed to operate in ambient conditions of 75°F with 55% relative humidity unless noted otherwise in system information below.		
Zone	Intended Product To Be Displayed	Warmest Avg Prod Temp ° F
1	Packaged non-refrigerated products	Ambient



PLAN VIEW




SIDE VIEW



NOTE: ALL DIMENSIONS APPROXIMATE

-  ELECTRICAL JUNCTION BOX (SUPPLIED WITH 6" LEADS OR POWER CORD).
-  LOCATION OF DRAIN TUBE FOR REMOTE REF. ONLY (SUPPLIED WITH 3/4" OR 1 1/2" PVC TUBE).

-  REFRIGERATION LINE CONNECTION.
-  REMOTE FLOOR SINK & UTILITIES ACCESS AREA.

-  SELF-CONTAINED CASE SERVICE ACCESS AREA.
-  DRY CASE SERVICE ACCESS AREA.

Model Technical Specifications																
Model	L"	L1"	L2"	System Circuit Volts			Phs	Freq	Amps ***	Watts	Wires	NEMA Plug	SST	Conv. Rack BTUH	Para. Rack BTUH	Est Wt
FB90S-CXM2E.8110	79.75	N/A	.00	None (N/A)	N/A	N/A	1&3	N/A	0.00	0			N/A	N/A	N/A	N/A

*** Does not include electric defrost on freezer models.

Regulatory Approvals:
None



Important Notes:

1) Units must be shimmed during installation to ensure the unit is level and plumb.

⚠ WARNING: This product can expose you to chemicals, including Urethane (Ethyl Carbamate), which are known to the State of California to cause cancer and birth defects or other reproductive harm. For more information go to www.P65Warnings.ca.gov.