

# Salad/Sandwich Prep - Corner Interaction Counter With Shelving and Sneeze Guard - Self-Service - 90°

## Models

FB90S-CXM1.7862



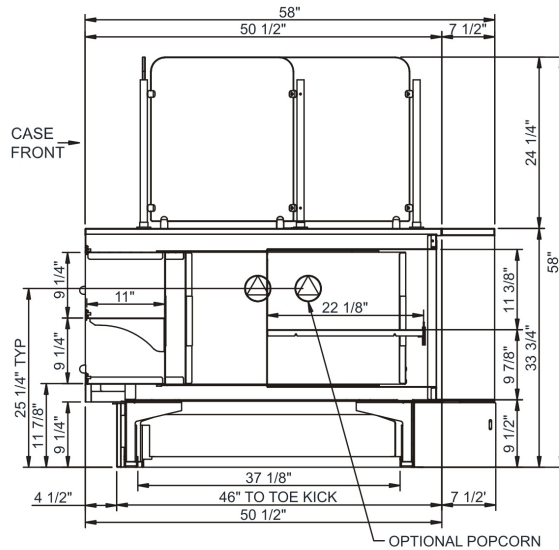
Features	Standard	Options
<b>EXTERIOR COLOR</b>	<input type="checkbox"/> Laminated (specify color) (confirm pattern/grain direction)	
<b>INTERIOR COLOR</b>	<input type="checkbox"/> Publix matte black	
<b>BASE SUPPORT</b>	<input type="checkbox"/> Rail system for shims	
<b>FRONT</b>	<input type="checkbox"/> Cubby section	
<b>TOE KICK</b>	<input type="checkbox"/> Publix matte black	
<b>TOP</b>	<input type="checkbox"/> Stainless steel	
<b>SNEEZE GUARD</b>	<input type="checkbox"/> ADM sneeze guard w/ stainless steel post	

## Applications

- Non-Refrigerated interaction display.

# Salad/Sandwich Prep Corner Interaction Counter With Shelving and Sneeze Guard - Self-Service - 90°

Model	L x D x H
FB90S-CXM1.7862	105-1/8" L x 58"D x 58"H



## IMPORTANT NOTES:

1) Units must be shimmed during installation to ensure the unit is level and plumb.

## ⚠️ WARNING

This product can expose you to chemicals including Urethane (Ethyl Carbamate), which are known to the State of California to cause cancer and birth defects or other reproductive harm. For more information go to [www.P65Warnings.ca.gov](http://www.P65Warnings.ca.gov).

## INTENDED ENVIRONMENT

Designed to operate in ambient conditions of 75°F with 55% relative humidity.

## WARMEST AVG PRODUCT TEMP

Zone	Temp (°F)
1	Ambient

## INTENDED USE OF DISPLAY AREAS

Zone	Intended Use
1	Packaged non-refrigerated products

For more information on any of our products or services please visit us on the web at:

[www.structuralconcepts.com](http://www.structuralconcepts.com)

INFORMATION IS SUBJECT TO CHANGE WITHOUT NOTICE. Visit [www.structuralconcepts.com](http://www.structuralconcepts.com) for the most current specs.