

- **FB4S-27QN1E.6123** 51-1/8"L x 51-3/8"D x 54-7/8"H

Included

- (2) Induction kettles, Induction lids & Ladles
- Pasta cooker

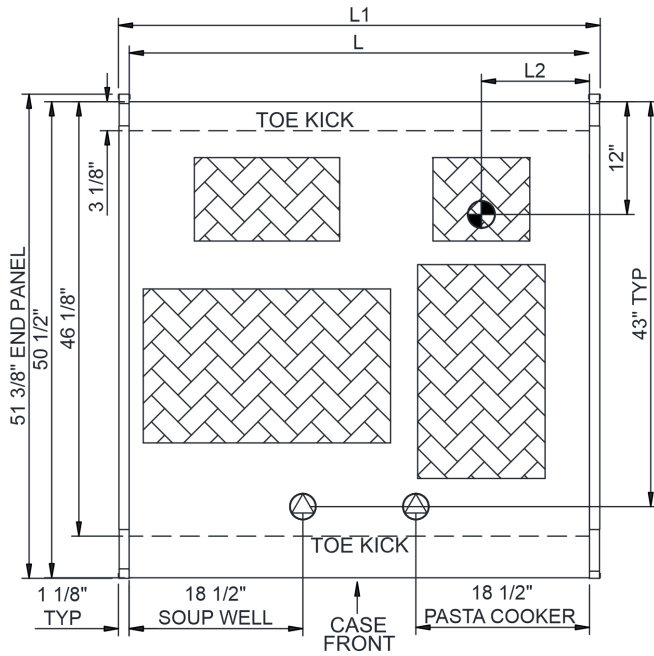


FB4S-27QN1E.6123

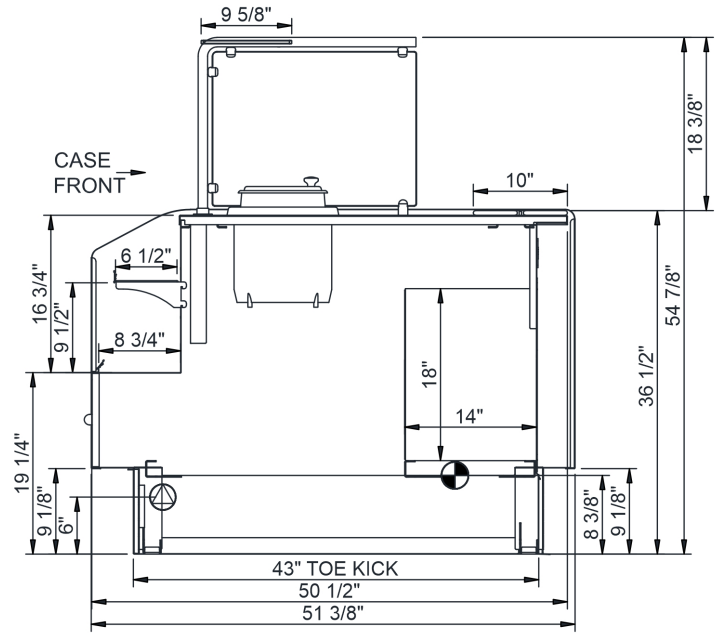
Specify	Standard Features	Additional Options
EXTERIOR COLOR	• Laminated (Xanadu)	• Laminated (Skyline Walnut)
BASE SUPPORT	• Rail system for shims	
BUMPER END	• None	• 1" bumper on end (3 rows)
BUMPER FRONT	• None	• 1" bumper on front (specify color)
END PANELS	• None	• Full with mirror
LOWER FRONT PANEL	• Black	• Painted (stock colors, specify RAL#)
REAR STORAGE	• Non-refrigerated open rear storage (stainless steel)	
REAR WORK SURFACE	• White poly	
TOP	• Stainless steel	
UPPER FRONT PANEL	• Laminated (Xanadu)	• Laminated (Skyline Walnut) • Laminated (specify color) (confirm pattern/grain direction)
WELLS	• (2) 7 Quart induction soup wells	
SNEEZE GUARD	• ADM sneeze guard w/ stainless steel post	
ELECTRICAL CONNECTION	• Leads	

Intended Environment: Type I - Designed to operate in ambient conditions of 75°F with 55% relative humidity unless noted otherwise in system information below.		
Zone	Intended Product To Be Displayed	Warmest Avg Prod Temp ° F
1	Heated holding area	100-160

PLAN VIEW



SIDE VIEW



NOTE: ALL DIMENSIONS APPROXIMATE

- ELECTRICAL JUNCTION BOX**
(SUPPLIED WITH 6" LEADS OR POWER CORD).
- LOCATION OF DRAIN TUBE FOR REMOTE REF.**
ONLY (SUPPLIED WITH 3/4" OR 1 1/2" PVC TUBE).

- REFRIGERATION LINE CONNECTION.**
- REMOTE FLOOR SINK & UTILITIES**
ACCESS AREA.

- SELF-CONTAINED CASE SERVICE ACCESS AREA.**
- DRY CASE SERVICE ACCESS AREA.**

Model Technical Specifications

Model	L"	L1"	L2"	System Circuit Volts		Phs	Freq	Amps ***	Watts	Wires	NEMA Plug	SST	Conv. Rack BTUH	Para. Rack BTUH	Est Wt	
FB4S-27QN1E.6123	48.88	51.13	11.50	Heat (N/A)	Circuit #1	110-120	1	60	4.20	504	2+G	Leads Single	N/A	N/A	N/A	N/A
				Heat (N/A)	Circuit #2	208	1	60	24.00	4,326	2+G	Leads Single	N/A	N/A	N/A	N/A

*** Does not include electric defrost on freezer models.

Regulatory Approvals:

All Models ETL Listed to UL 197
ETL Listed to CAN/CSA 22.2 No. 109
ETL Sanitation to NSF/ANSI 4



Important Notes:

- 1) Units must be shimmed during installation to ensure the unit is level and plumb.
- ⚠ WARNING:** This product can expose you to chemicals, including Urethane (Ethyl Carbamate), which are known to the State of California to cause cancer and birth defects or other reproductive harm. For more information go to www.P65Warnings.ca.gov.