

Technical Information

Grocerant - Inline Soup Case - Induction Wells w/ Front Storage - 7 Quart

Structural Concepts®

DELIVERING FRESH. ALWAYS.™

DIMENSIONS / SHIPPING				
Model	L"	L1"	L2"	Est Wt (lbs)
FB3SS-37QN.8098	N/A	36.875	0.000	N/A
FB4SS-47QN.8098	N/A	50.000	0.000	N/A
FB6SS-67QN.8098	N/A	76.250	0.000	N/A

ELECTRICAL															
Model	System Circuit Volts			Ph	Frq	Rated Load Amps	Min Cir Amps	Max OCP Amps	Watts	Wires	NEMA Plug	Amps Lights	Amps Fans	Amps Anti-Sweats	Amps Misc/Refrig/Heat
FB3SS-37QN.8098	Heat (N/A)-Type I Env	Circuit #1	110-120	1	60	6.30	15	15	756	2+G	Leads Multiple	N/A	N/A	N/A	6.30
FB4SS-47QN.8098	Heat (N/A)-Type I Env	Circuit #1	110-120	1	60	8.40	15	15	1,008	2+G	Leads Multiple	N/A	N/A	N/A	8.40
FB6SS-67QN.8098	Heat (N/A)-Type I Env	Circuit #1	110-120	1	60	12.60	20	20	1,512	2+G	Leads Multiple	N/A	N/A	N/A	12.60

REFRIGERATION														
Model	Zone	Section	System	Envt	REMOTE REFRIGERATION					GLYCOL / R744 REFRIGERATION				
					SST (°F)	Conv. Rack BTUH	Para. Rack BTUH	Defrost Interval (Hrs)	Defrost Duration	Total GPM	Pressure Drop (psi)	Concent (%)	Liquid Temp (°F)	

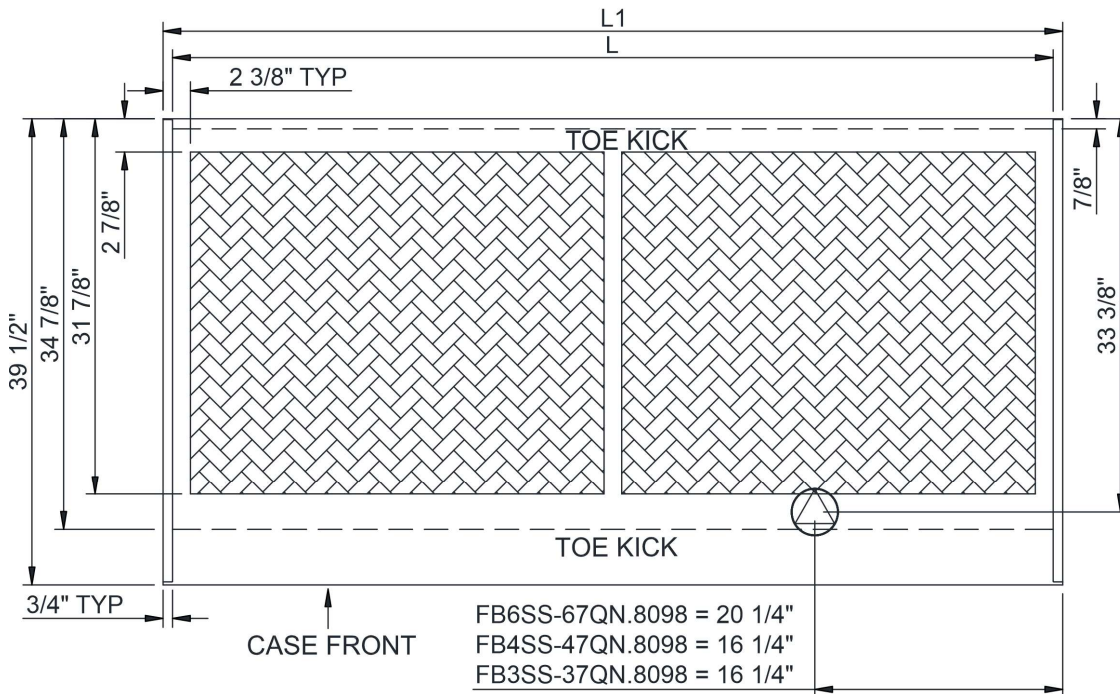
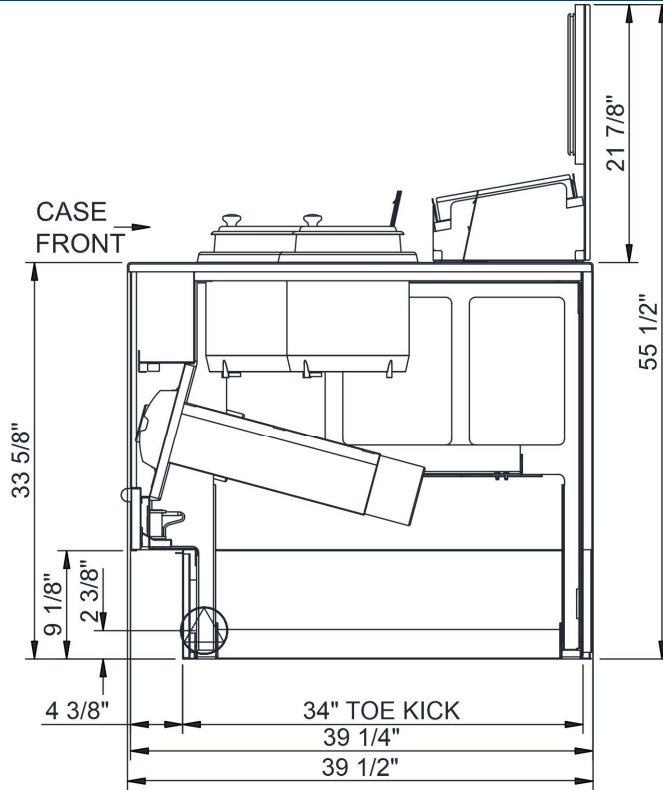
INTENDED ENVIRONMENT		
WARMEST AVERAGE PRODUCT TEMP & INTENDED USE OF ZONES		
Zone	Temp (°F)	Intended Use
1	100-160	Heated holding area-Products preheated to Warmest Avg Prod Temp.

IMPORTANT NOTES

1) Units must be shimmed during installation to ensure the unit is level and plumb.

REGULATORY	
All Models	ETL Listed to UL 197 ETL Listed to CAN/CSA 22.2 No. 109 ETL Sanitation to NSF/ANSI 4





NOTE: ALL DIMENSIONS APPROXIMATE

⊕ ELECTRICAL JUNCTION BOX
(SUPPLIED WITH 6" LEADS OR POWER CORD).
● LOCATION OF DRAIN TUBE FOR REMOTE REF.
ONLY (SUPPLIED WITH 3/4" OR 1 1/2" PVC TUBE).

⊕ REFRIGERATION LINE CONNECTION.
⊕ REMOTE FLOOR SINK & UTILITIES
ACCESS AREA.

▨ SELF-CONTAINED CASE SERVICE ACCESS AREA.
▩ DRY CASE SERVICE ACCESS AREA.