

# Prepared Foods - Hot Sides Service Case - Vollrath 220V

## Models

DP8HP60.5718C



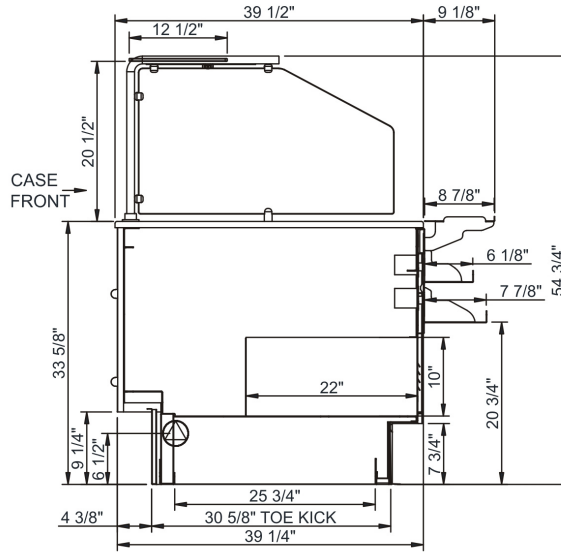
Features	Standard	Options
<b>EXTERIOR COLOR</b>	<input type="checkbox"/> Laminated (confirm pattern/grain direction)	
<b>TRIM COLOR</b>	<input type="checkbox"/> Stainless steel	
<b>UPPER FRONT PANEL COLOR</b>	<input type="checkbox"/> Laminated (confirm pattern/grain direction)	
<b>BASE SUPPORT</b>	<input type="checkbox"/> Rail system for shims	
<b>BUMPER END</b>	<input type="checkbox"/> None	<input type="checkbox"/> 1" bumper (#239 Storm Gray) (3 rows) <input type="checkbox"/> 1" bumper (black) (3 rows)
<b>BUMPER FRONT</b>	<input type="checkbox"/> 1" Boston bumper on front (specify color)	
<b>END PANELS</b>	<input type="checkbox"/> None	<input type="checkbox"/> Full
<b>FRONT GLASS</b>	<input type="checkbox"/> ADM sneeze guard w/ stainless steel post	
<b>HOT DISPLAY</b>	<input type="checkbox"/> Vollrath 220V Induction plates	
<b>LOWER FRONT PANEL</b>	<input type="checkbox"/> Publix matte black	
<b>UPPER FRONT PANEL STYLE</b>	<input type="checkbox"/> Flat	
<b>WORK SURFACE</b>	<input type="checkbox"/> Kilauea Quartz	
<b>TOP LIGHT</b>	<input type="checkbox"/> LED top light	
<b>ELECTRICAL CONNECT</b>	<input type="checkbox"/> Leads	

## Applications

- Service deli merchandiser for heated deli items.
- Induction plate capacity = DP8HP60.5718C (8)

# Prepared Foods Hot Sides Service Case - Vollrath 220V

Model	L x D x H (Lengths do not include 1-1/8" end panels)
DP8HP60.5718C	53-1/8"L x 39-1/2"D x 54-3/4"H



## IMPORTANT NOTES:

### ⚠ WARNING

This product can expose you to chemicals including Urethane (Ethyl Carbamate), which are known to the State of California to cause cancer and birth defects or other reproductive harm. For more information go to [www.P65Warnings.ca.gov](http://www.P65Warnings.ca.gov).

## INTENDED ENVIRONMENT

Designed to operate in ambient conditions of 75°F with 55% relative humidity.

## WARMEST AVG PRODUCT TEMP

Zone	Temp (°F)
1	160

## INTENDED USE OF DISPLAY AREAS

Zone	Intended Use
1	Heated holding area